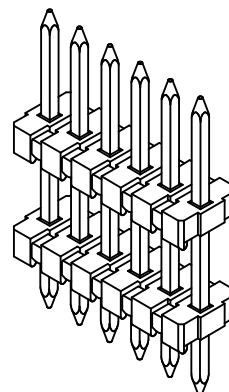
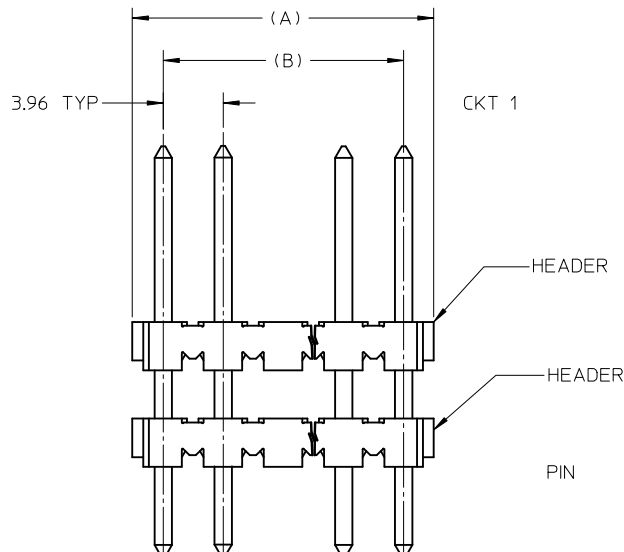
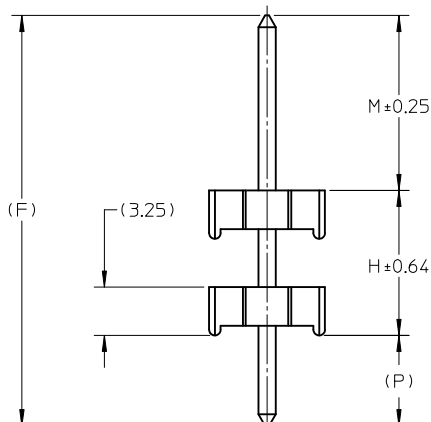


PCB LAYOUT : COMPONENT SIDE
RECOMMENDED PCB THICKNESS : 1.57



6 CKT ISO SHOWN FOR REF. ONLY

CKT SIZE	A	B
4	15.26	11.89
5	19.22	15.85
6	23.18	19.81
7	27.14	23.77
8	31.11	27.74
9	35.07	31.70
10	39.03	35.66
11	42.99	39.62
12	46.96	43.59
13	50.92	47.55
14	54.88	51.51
15	58.84	55.47
16	62.81	59.44
17	66.77	63.40
18	70.73	67.36
19	74.69	71.32
20	78.66	75.29
21	82.62	79.25
22	86.58	83.21
23	90.54	87.17
24	94.49	91.14

NOTES :

- MATERIAL :
HOUSING : POLYESTER, UL94V-0, COLOR : BLACK
PIN : 1.14MM SQ PIN BRASS.
- FINISH :
(1) : 5.08µm MIN TIN OVER 2.54µm MIN COPPER OVERALL.
(2) : 0.38µm MIN GOLD OVER 1.25µm MIN NICKEL OVERALL.
(3) : 2.50µm MIN TIN OVER 1.25µm MIN NICKEL OVERALL.
(4) : 0.38µm MIN GOLD ON CONTACT AND 2.50µm MIN TIN ON SOLDER TAIL OVER 1.25µm MIN NICKEL OVERALL.
- PRODUCT SPECIFICATION : PS-68340-014.
- PARTS ARE NOT STACKABLE ON 3.96MM CENTERS.
- PARTS TO BE PACKED PER ES-41679-A1.

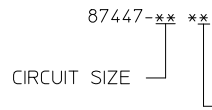
OPTIONAL VOIDED CIRCUIT
SEE CHART FOR LOCATION

INITIAL RELEASE EC NO: S2010-0876 DRWN:SKANG 2010/04/23 CHKD:ATSEE 2010/04/28 APPR:MLONG 2010/05/06	DESCRIPTION A	QUALITY SYMBOLS	GENERAL TOLERANCES (UNLESS SPECIFIED)	DIMENSION STYLE	SCALE	DESIGN UNITS	THIRD ANGLE PROJECTION
		$\nabla_A = 0$ $\nabla_C = 0$ $\nabla_P = 0$	mm INCH 4 PLACES ± --- ± --- 3 PLACES ± --- ± --- 2 PLACES ± 0.25 ± --- 1 PLACE ± --- ± --- ANGULAR ± 1/2°	MM ONLY	NTS	METRIC	
			DRAWN BY: SKANG DATE: 2010/04/23	TITLE: CUSTOM HEADER 3.96MM BREAKAWAY SINGLE ROW / DUAL BODY			
			CHECKED BY: ATSEE DATE: 2010/04/28	MOLEX INCORPORATED			
		APPROVED BY: MLONG DATE: 2010/05/05	MATERIAL NO. SEE TABLE		DOCUMENT NO. SD-87447-002		SHEET NO. 1 OF 2
		DRAFT WHERE APPLICABLE MUST REMAIN WITHIN DIMENSIONS		THIS DRAWING CONTAINS INFORMATION THAT IS PROPRIETARY TO MOLEX INCORPORATED AND SHOULD NOT BE USED WITHOUT WRITTEN PERMISSION			

10 9 8 7 6 5 4 3 2 1

MATERIAL NUMBER	CKT SIZE	DIM F PIN LENGTH	DIM M LENGTH	DIM H HEADER SPACING	DIM P P.C. LENGTH	VOIDED CKT NO.
87447-0903	9	60.33	25.40	31.75	3.18	-
87447-1002	10	46.03	20.37	22.23	3.43	-
87447-1012	10	66.68	21.97	41.28	3.43	-
87447-1503	15	60.33	25.40	31.75	3.18	-

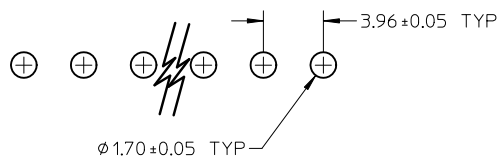
PART NO. LEGEND



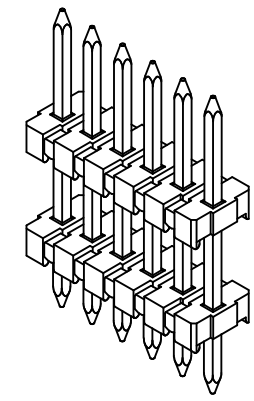
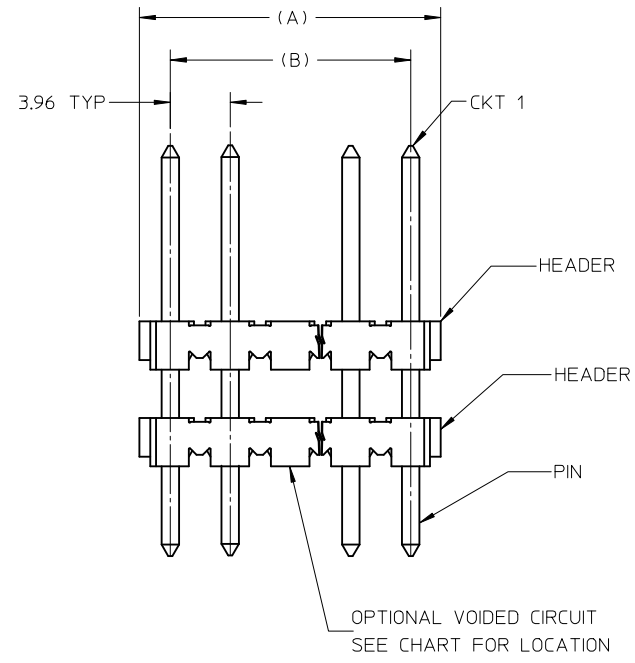
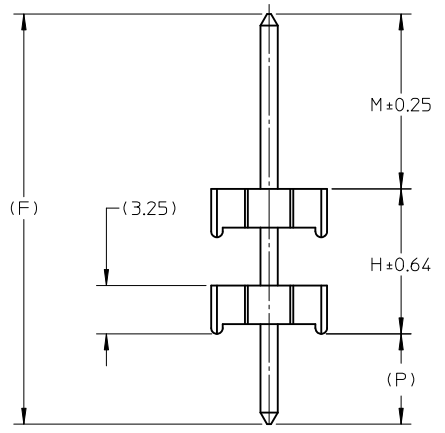
- PLATING OPTION
- 1 : 5.08μm MIN TIN OVER 2.54μm MIN COPPER OVERALL.
 - 2 : 0.38μm MIN GOLD OVER 1.25μm MIN NICKEL OVERALL.
 - 3 : 2.50μm MIN TIN OVER 1.25μm MIN NICKEL OVERALL.
 - 4 : 0.38μm MIN GOLD ON CONTACT AND 2.50μm MIN TIN ON SOLDERTAIL OVER 1.25μm MIN NICKEL OVERALL.

INITIAL RELEASE EC NO: S2010-0876 DRWN:SKANG 2010/04/23 CHKD:ATSEE 2010/04/28 APPR:MLONG 2010/05/06	DESCRIPTION REV	QUALITY SYMBOLS	GENERAL TOLERANCES (UNLESS SPECIFIED)		DIMENSION STYLE MM ONLY		SCALE NTS	DESIGN UNITS METRIC	THIRD ANGLE PROJECTION			
		$F_A=0$ $F_C=0$ $F_P=0$		mm	INCH	DRAWN BY	DATE	TITLE				
			4 PLACES	± ---	± ---	SKANG	2010/04/23	CUSTOM HEADER 3.96MM BREAKAWAY SINGLE ROW / DUAL BODY MOLEX INCORPORATED				
			3 PLACES	± ---	± ---	CHECKED BY	DATE					
2 PLACES	± 0.25	± ---	ATSEE	2010/04/28	MATERIAL NO. SEE TABLE DOCUMENT NO. SD-87447-002 SHEET NO. 2 OF 2							
1 PLACE	± ---	± ---	APPROVED BY	DATE								
		ANGULAR ± 1/2°		MLONG	2010/05/05	THIS DRAWING CONTAINS INFORMATION THAT IS PROPRIETARY TO MOLEX INCORPORATED AND SHOULD NOT BE USED WITHOUT WRITTEN PERMISSION						
DRAFT WHERE APPLICABLE MUST REMAIN WITHIN DIMENSIONS					SIZE A3							

9 8 7 6 5 4 3 2 1



PCB LAYOUT : COMPONENT SIDE
RECOMMENDED PCB THICKNESS : 1.57



6 CKT ISO SHOWN FOR REF. ONLY

CKT SIZE	A	B
4	15.26	11.89
5	19.22	15.85
6	23.18	19.81
7	27.14	23.77
8	31.11	27.74
9	35.07	31.70
10	39.03	35.66
11	42.99	39.62
12	46.96	43.59
13	50.92	47.55
14	54.88	51.51
15	58.84	55.47
16	62.81	59.44
17	66.77	63.40
18	70.73	67.36
19	74.69	71.32
20	78.66	75.29
21	82.62	79.25
22	86.58	83.21
23	90.54	87.17
24	94.49	91.14

NOTES :

- MATERIAL :
HOUSING : POLYESTER, UL94V-0, COLOR : BLACK
PIN : 1.14MM SQ PIN BRASS.
- FINISH :
(1) : 5.08µm MIN TIN OVER 2.54µm MIN COPPER OVERALL.
(2) : 0.38µm MIN GOLD OVER 1.25µm MIN NICKEL OVERALL.
(3) : 2.50µm MIN TIN OVER 1.25µm MIN NICKEL OVERALL.
(4) : 0.38µm MIN GOLD OVER 2.50µm MIN TIN OVER 1.25µm MIN NICKEL OVERALL.
- PRODUCT SPECIFICATION : PS-68340-014.
- PARTS ARE NOT STACKABLE ON 3.96MM CENTERS.

REVISED EC NO: S2010-0518 DRWN:SKANG CHKD:ATSEE APPR:MLONG	2009/12/21 2010/01/08 2010/01/09	DESCRIPTION REV	QUALITY SYMBOLS	GENERAL TOLERANCES (UNLESS SPECIFIED)	DIMENSION STYLE	SCALE	DESIGN UNITS	THIRD ANGLE PROJECTION
			▼=0 ∇=0	mm INCH 4 PLACES ± --- ± --- 3 PLACES ± --- ± --- 2 PLACES ± 0.25 ± --- 1 PLACE ± --- ± --- ANGULAR ± 1/2°	MM ONLY	NTS	METRIC	
				DRAWN BY: SKANG DATE: 2009/06/15 CHECKED BY: ATSEE DATE: 2009/06/26 APPROVED BY: MLONG DATE: 2010/01/08	TITLE	CUSTOM HEADER 3.96MM BREAKAWAY SINGLE ROW / DUAL BODY		
			DRAFT WHERE APPLICABLE MUST REMAIN WITHIN DIMENSIONS	MATERIAL NO. DOCUMENT NO. SEE TABLE SD-87447-001	SHEET NO.	1 OF 2		

10 | 9 | 8 | 7 | 6 | 5 | 4 | 3 | 2 | 1

MATERIAL NUMBER	PLATING REFERENCE	DIM F PIN LENGTH	DIM M LENGTH	DIM H HEADER SPACING	DIM P P.C. LENGTH	CKT SIZE	VOIDED CKT NO.	PACK PER
87447-0001	4	43.18	22.23	15.87	5.08	4	3	ES-41679-A1

REVISED EC NO: S2010-0518 DRWN:SKANG 2009/12/21 CHKD:ATSEE 2010/01/08 APPR:MLONG 2010/01/09	QUALITY SYMBOLS	GENERAL TOLERANCES (UNLESS SPECIFIED)		DIMENSION STYLE MM ONLY		SCALE NTS	DESIGN UNITS METRIC	THIRD ANGLE PROJECTION		
	= 0 = 0		mm	INCH	DRAWN BY	DATE	TITLE			
		4 PLACES	± ---	± ---	SKANG	2009/06/15	CUSTOM HEADER 3.96MM BREAKAWAY SINGLE ROW / DUAL BODY			
		3 PLACES	± ---	± ---	CHECKED BY	DATE				
2 PLACES	± 0.25	± ---	ATSEE	2009/06/26	MOLEX INCORPORATED					
1 PLACE	± ---	± ---	APPROVED BY	DATE						
		ANGULAR ± 1/2°		MLONG	2010/01/08	MATERIAL NO.	DOCUMENT NO.	SHEET NO.		
		DRAFT WHERE APPLICABLE MUST REMAIN WITHIN DIMENSIONS		SEE TABLE		SD-87447-001		2 OF 2		
A1	REV			SIZE	THIS DRAWING CONTAINS INFORMATION THAT IS PROPRIETARY TO MOLEX INCORPORATED AND SHOULD NOT BE USED WITHOUT WRITTEN PERMISSION					

9 | 8 | 7 | 6 | 5 | 4 | 3 | 2 | 1