

MATERIALS AND FINISHES

BODY, BRASS
PLATED NICKEL

CENTER CONTACT, BRASS
PLATED GOLD/TIN

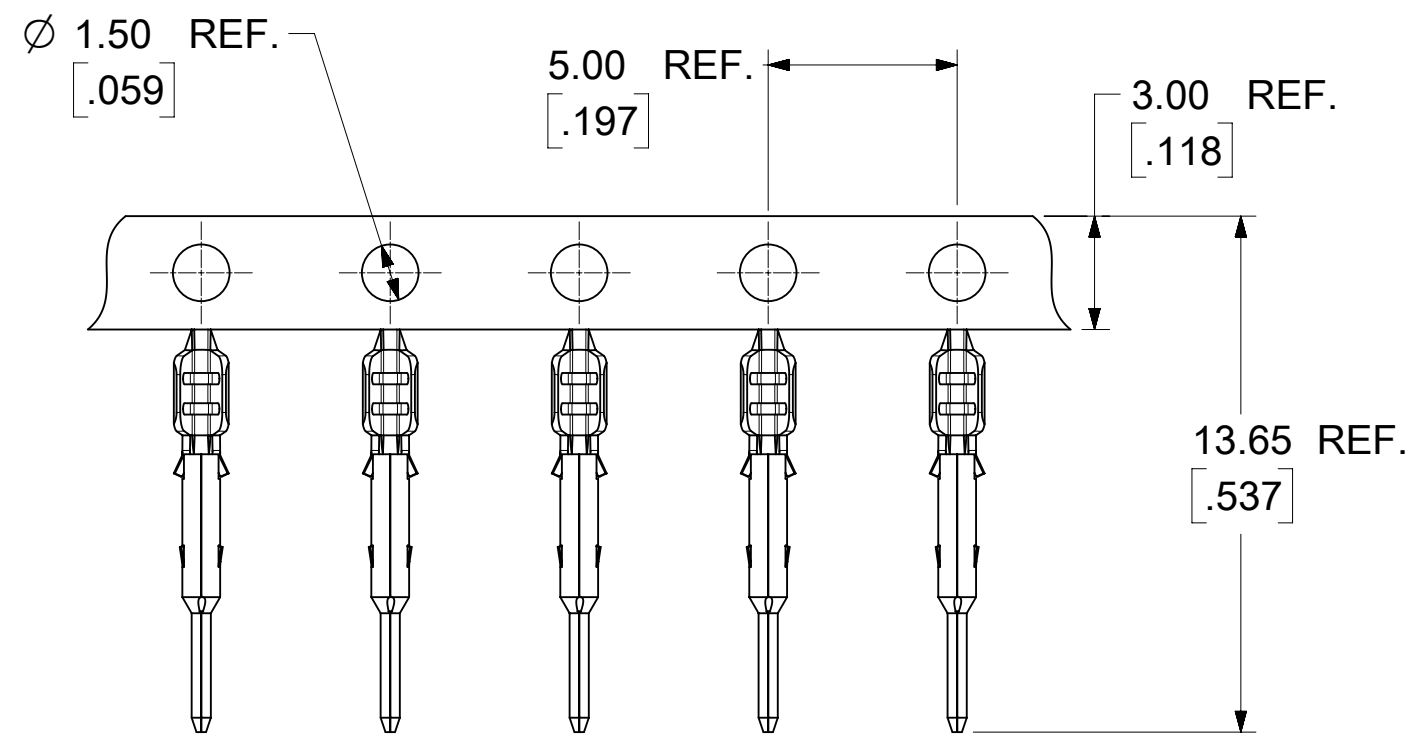
CRIMP TUBE BRASS
PLATED NICKEL

SHROUD: PBT OR NYLON 66
KEYING SEE TABLE
COLOR SEE TABLE

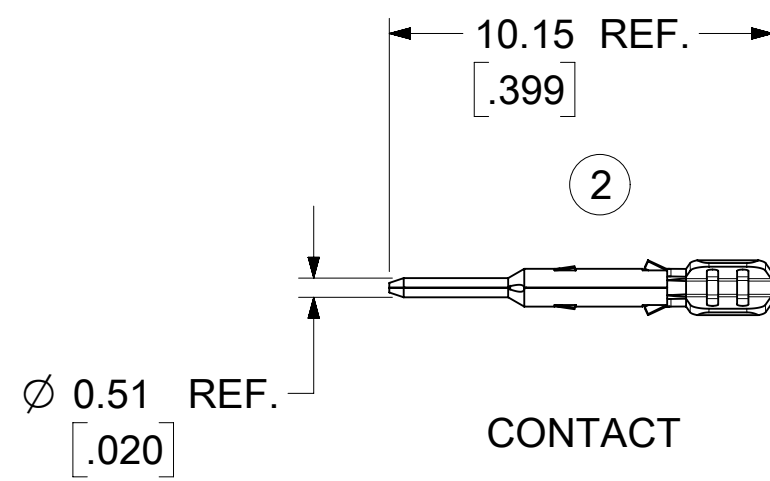
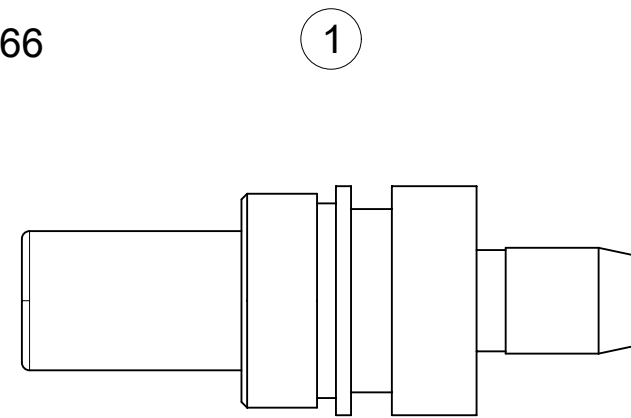
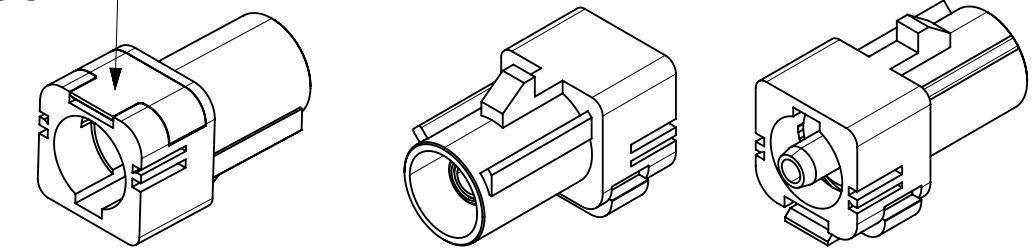
INSULATOR, POLYPROPYLENE

SECONDARY LOCK (TPA): PBT OR NYLON 66

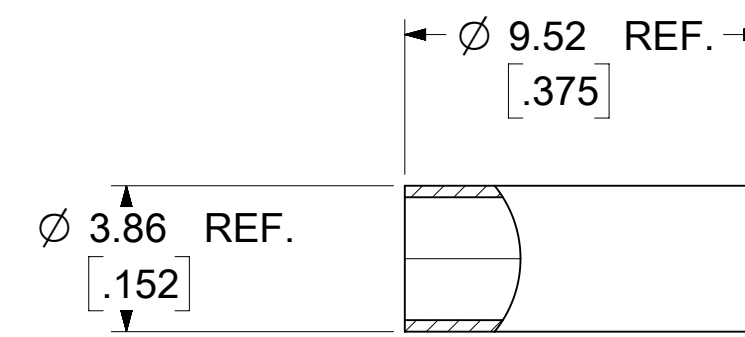
PACKAGING BY BAG



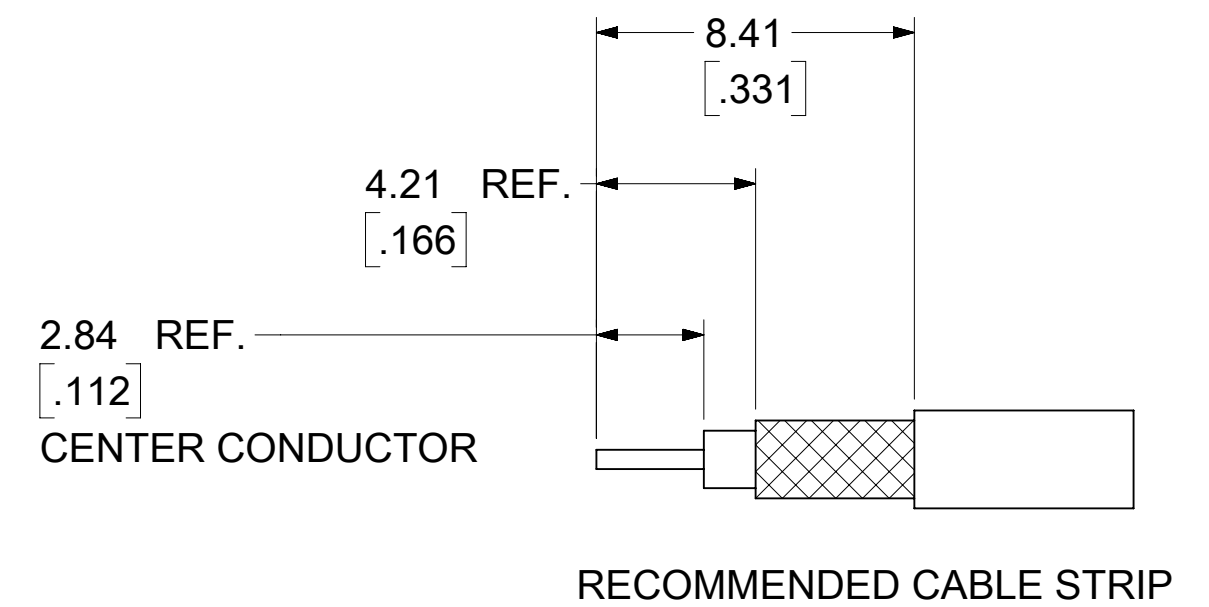
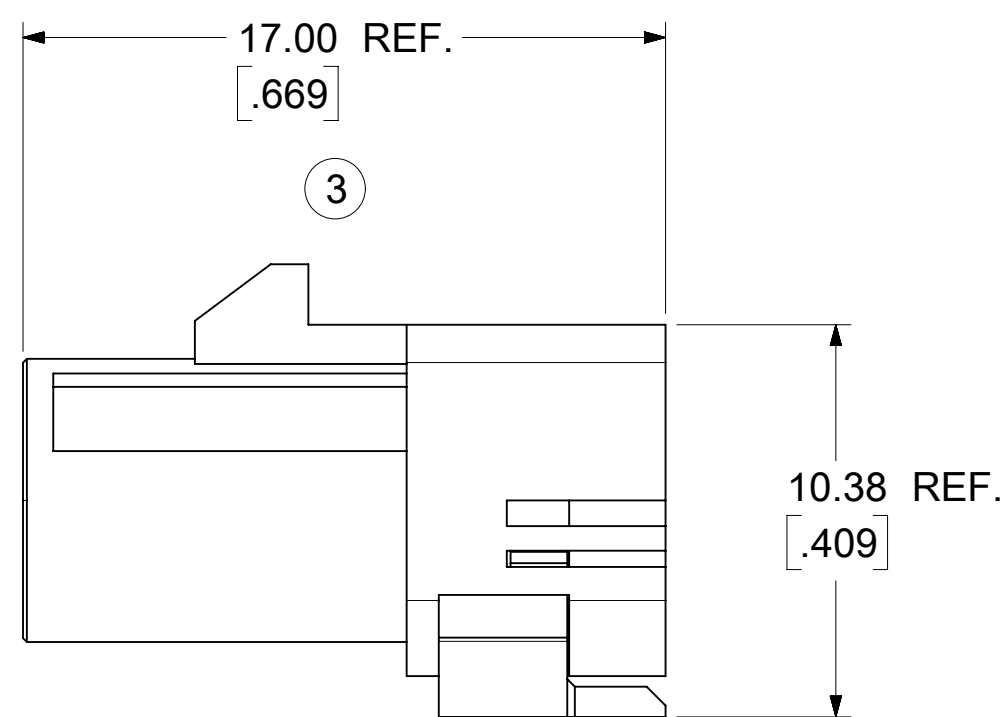
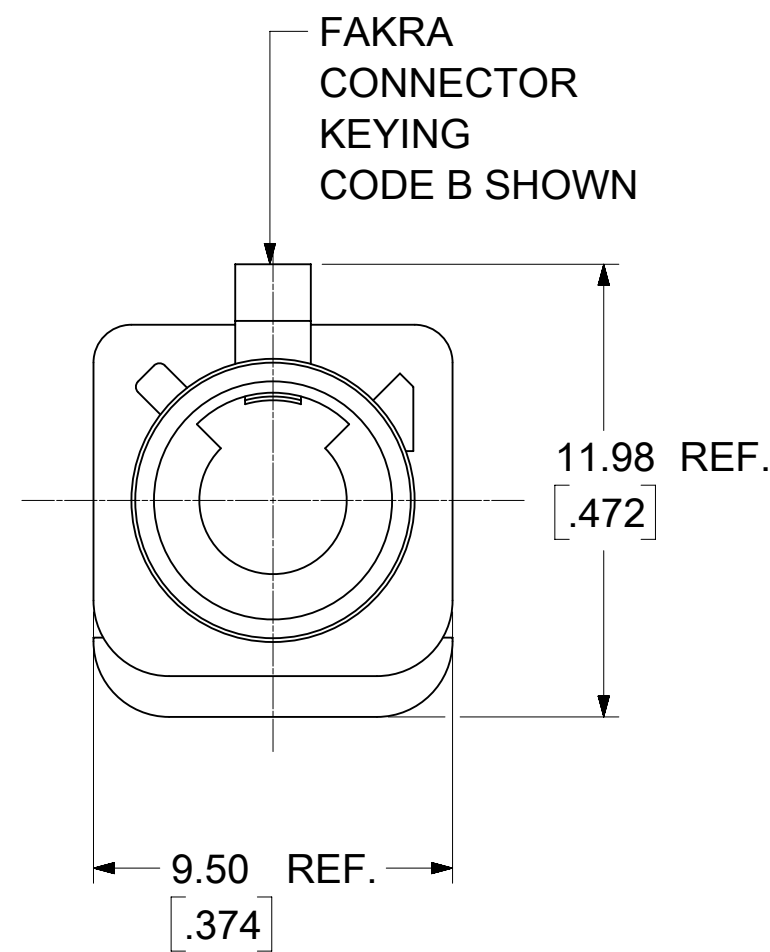
SECONDARY LOCK
(TPA)



CONTACT



CRIMP TUBE



CENTER CONDUCTOR

RECOMMENDED CABLE STRIP

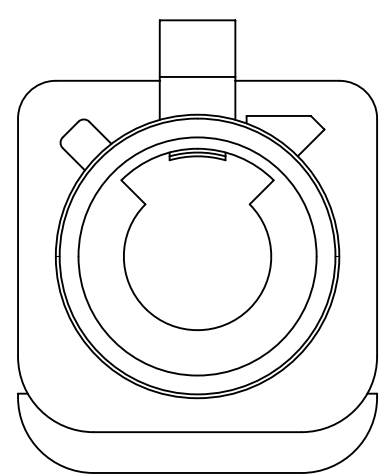
4	89674-0805	CRIMP TUBE	1
3	SEE SHEET 2	SHROUD WITH TPA	1
2	89534-0181	CENTER CONTACT	1
1	89618-4390	SMB JACK STR. FOR RG316	1
	PART NO.	DESCRIPTION	QTY

2018/04/19	C1	REMOVE TITLE II PER 11896
2016/07/14	C	CHANGE 3 89618-4370 WAS 89618-3840
DATE	REV.	DESCRIPTION

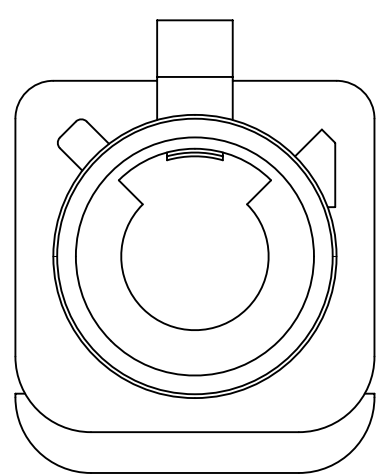
THIS DRAWING CONTAINS INFORMATION THAT IS PROPRIETARY TO MOLEX ELECTRONIC TECHNOLOGIES, LLC AND SHOULD NOT BE USED WITHOUT WRITTEN PERMISSION

DIMENSION UNITS	SCALE	CURRENT REV	DESC:	molex			
HYBRID	NTS						
GENERAL TOLERANCES (UNLESS SPECIFIED)				FAKRA JACK STR. FOR RG316/174 CABLE FAKRA -J			
ANGULAR TOL	± 2.0°	EC NO: 173731		PRODUCT CUSTOMER DRAWING			
4 PLACES	±	DRWN: ELIN 2018/04/18		DOCUMENT NUMBER			
3 PLACES	±	CHK'D:		DOC TYPE DOC PART REVISION			
2 PLACES	±	APPR:		SD-73403-694 PSD 001 C1			
1 PLACE	±	INITIAL REVISION:		MATERIAL NUMBER			
0 PLACES	±	DRWN: ELIN 2015/06/02		CUSTOMER			
DRAFT WHERE APPLICABLE MUST REMAIN WITHIN DIMENSIONS		THIRD ANGLE PROJECTION		DRAWING		SERIES	
		C-SIZE		73403		SHEET NUMBER	
		1 OF 2					

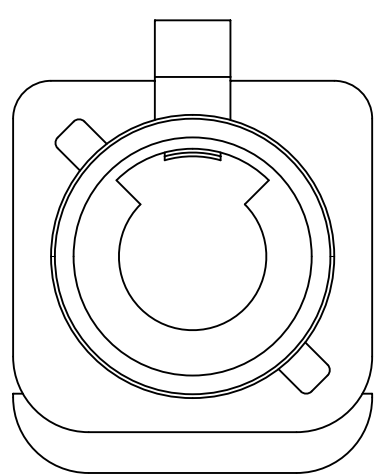
DOCUMENT STATUS	P1	RELEASE DATE	2018/05/03 08:38:05
-----------------	----	--------------	---------------------



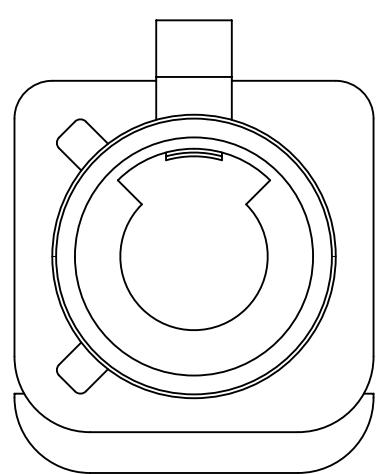
CODE A



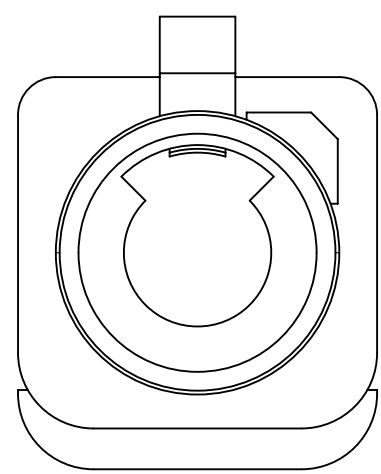
CODE B



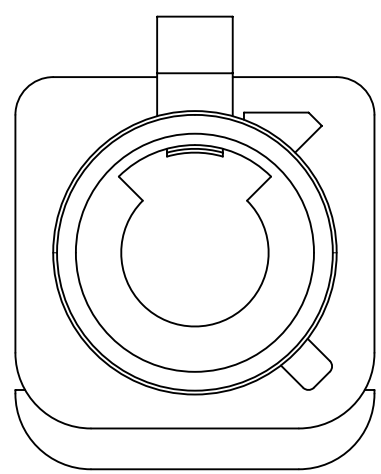
CODE C



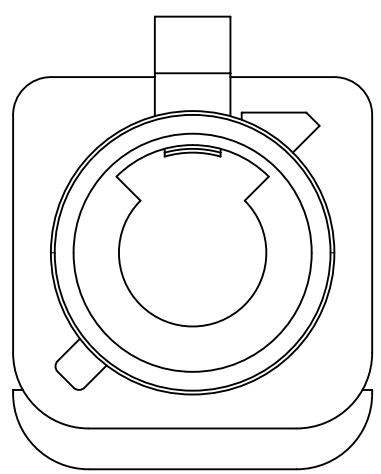
CODE D



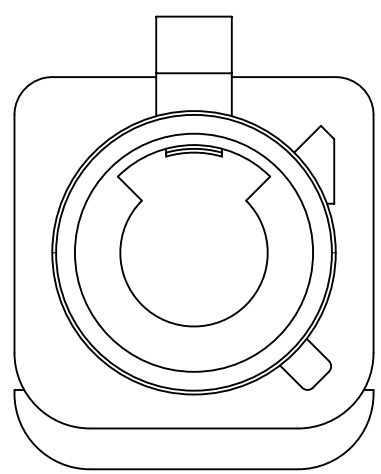
CODE E



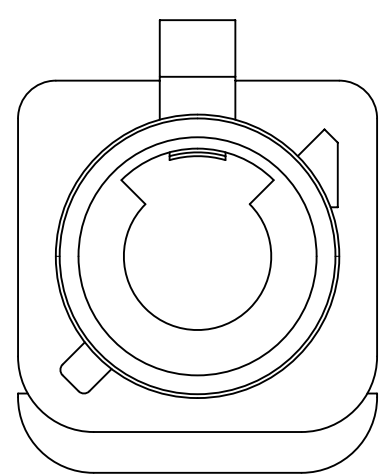
CODE F



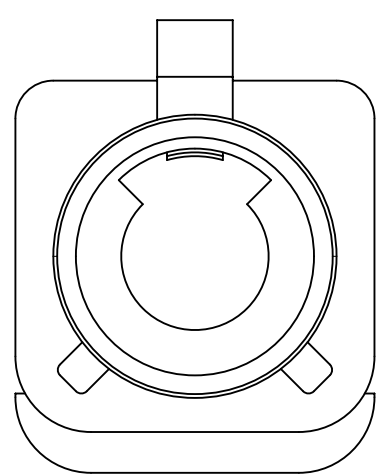
CODE G



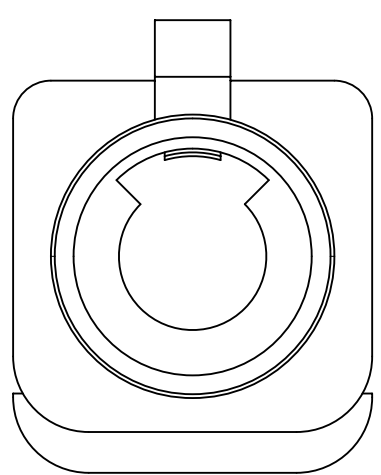
CODE H



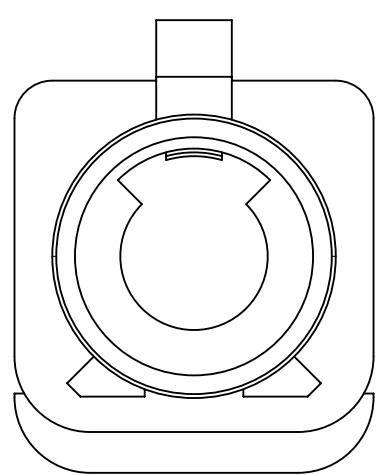
CODE I



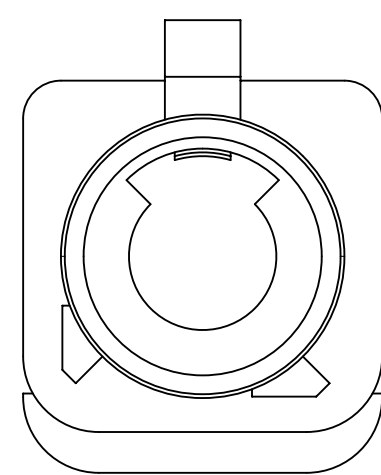
CODE K



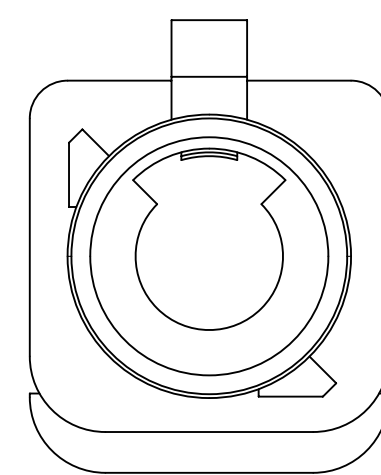
CODE Z



CODE L



CODE M



CODE N

N	PASTEL GREEN	73403-6953	89618-4383
M	PASTEL ORANGE	73403-6952	89618-4382
L	CARMINE RED	73403-6951	89618-4381
Z	WATER BLUE	73403-6950	89618-4380
K	CURRY YELLOW	73403-6949	89618-4379
I	BEIGN	73403-6948	89618-4378
H	VIOLET	73403-6947	89618-4377
G	GRAY	73403-6946	89618-4376
F	BROWN	73403-6945	89618-4375
E	GREEN	73403-6944	89618-4374
D	BORDEAUXVILOET	73403-6943	89618-4373
C	BLUE	73403-6942	89618-4372
B	SINGLE WHITE	73403-6941	89618-4371
A	BLACK	73403-6940	89618-4370
KEYING CODE	COLOR	PART NO.	ITEM 3 PART NO.

THIS DRAWING CONTAINS INFORMATION THAT IS PROPRIETARY TO MOLEX ELECTRONIC TECHNOLOGIES, LLC AND SHOULD NOT BE USED WITHOUT WRITTEN PERMISSION

DIMENSION UNITS		SCALE		CURRENT REV DESC:				molex							
HYBRID		NTS													
GENERAL TOLERANCES (UNLESS SPECIFIED)				EC NO: 173731				FAKRA JACK STR. FOR RG316/174 CABLE FAKRA -J							
ANGULAR TOL ± 2.0°				DRWN: ELIN 2018/04/18											
4 PLACES ±				CHK'D:				PRODUCT CUSTOMER DRAWING							
3 PLACES ±				APPR:											
2 PLACES ±				INITIAL REVISION:				DOCUMENT NUMBER							
1 PLACE ±				DRWN: ELIN 2015/06/02				SD-73403-694							
0 PLACES ±				APPR: YCHENG 2015/08/26				DOC TYPE DOC PART REVISION							
DRAFT WHERE APPLICABLE MUST REMAIN WITHIN DIMENSIONS				THIRD ANGLE PROJECTION		DRAWING		SERIES		MATERIAL NUMBER		CUSTOMER		SHEET NUMBER	
						C-SIZE		73403		SEE TABLE		GENERAL MARKET		2 OF 2	

DOCUMENT STATUS	P1	RELEASE DATE	2018/05/03	08:38:05
-----------------	----	--------------	------------	----------