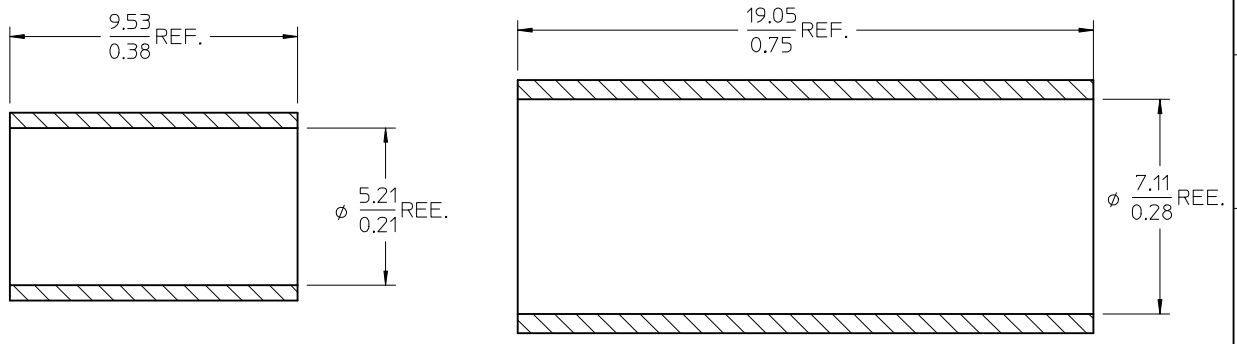
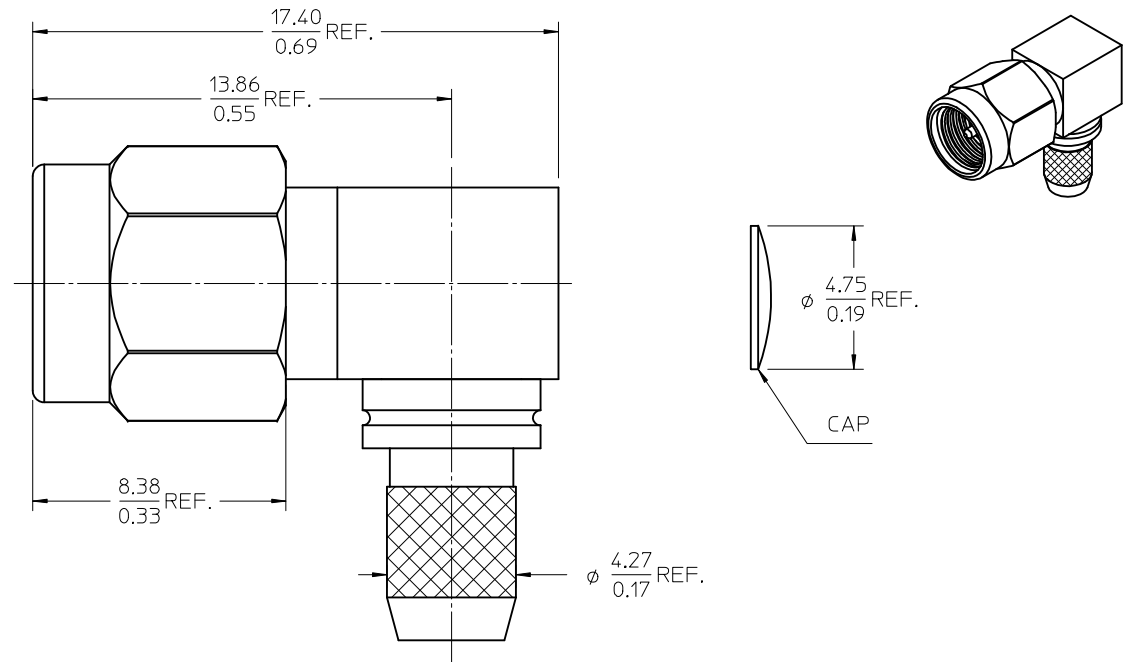


MATERIALS AND FINISHES:  
 BODY, CAP, AND C'NUT ST. STEEL  
 PER ASTM-582, PASSIVATED.

CRIMP TUBE, BRASS PER ASTM-B16,  
 NICKEL PLATED PER QQ-N-290.

SHRINK TUBE PER MIL-DTL-23053/5  
 (CLASS I & III)



PART # 73251-0191

|                          |                          |
|--------------------------|--------------------------|
| ES-89675-1590            | CABLE ASSY INSTRUCTIONS  |
| PS-89675-1190            | ELECTRO/MECH PERFORMANCE |
| MIL-STD-348A, FIG. 310-1 | INTERFACE                |
| SPECIFICATION            | DESCRIPTION              |

|            |                              |
|------------|------------------------------|
| 73251-0192 | 73251-0191 BY TRAY (20 CAV.) |
| PART NO.   | PACKAGING                    |

ADDED P/N: 73251-0192  
 EC NO: URF2007-0497  
 2007/06/15  
 DRW: NELIN  
 2007/06/21  
 CHKD:  
 2007/06/21  
 APPR: MLIANG  
 2007/06/21

|   |   |            |                                 |                    |  |                                     |                        |
|---|---|------------|---------------------------------|--------------------|--|-------------------------------------|------------------------|
| QUALITY SYMBOLS<br>▽=0<br>▽=0   | GENERAL TOLERANCES (UNLESS SPECIFIED)   |            | DIMENSION STYLE<br><b>MM/IN</b> |                    | SCALE  | DESIGN UNITS<br><b>METRIC</b>       | THIRD ANGLE PROJECTION |
|   | 4 PLACES ± --- ± ---<br>3 PLACES ± --- ± ---<br>2 PLACES ± --- ± ---<br>1 PLACE ± --- ± --- | mm<br>INCH | DRAWN BY<br>MDE                 | DATE<br>1999/12/03 | TITLE<br><b>SMA PLUG, RA, 50 OHMS<br/>         RG58,141,303<br/>         SMA-PC/RA</b> |                                     |                        |
| DRAFT WHERE APPLICABLE<br>MUST REMAIN<br>WITHIN DIMENSIONS  | ANGULAR ± 2 °   |            | CHECKED BY<br>GMH               | DATE<br>1999/12/06 | <b>MOLEX INCORPORATED</b>  |                                     |                        |
|   | MATERIAL NO.<br><b>SEE TABLE</b>  |            | APPROVED BY<br>GMH              |                    | DATE<br>1999/12/15   | DOCUMENT NO.<br><b>SD-73251-019</b> | SHEET NO.<br>1 OF 1    |
| THIS DRAWING CONTAINS INFORMATION THAT IS PROPRIETARY TO MOLEX INCORPORATED AND SHOULD NOT BE USED WITHOUT WRITTEN PERMISSION |   |            |                                 |                    |  |                                     |                        |