

8

7

6

5

4

3

2

1

ENG. NO

EDP NO.

SIMILAR ITEM

CAD FILE NO.

DO NOT SCALE DRAWING

F

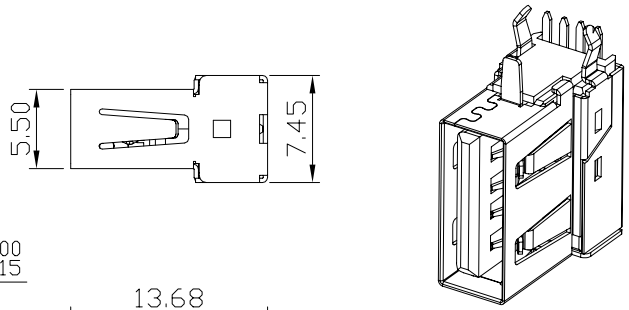
E

D

C

B

A



NOTES:

1.MATERIAL:

HOUSING:HIGH TEMPERATURE NYLON, GLASS FIBER, UL94V-0, COLOR:WHITE OR BLACK

TERMINAL:PHOSPHOR BRONZE
METAL SHELL:COPPER ALLOY

2.PLATING:

TERMINAL:

CONTACT AREA:
(a) GOLD FLASH
(b) GOLD (Au)

SOLDER TAIL:TIN-LEAD(Sn/Pb)ALLOY

UNDER PLATE:NICKEL (Ni)

METAL SHELL:

TIN-LEAD (Sn-Pb) AT SOLDER AREA
UNDER PLATE: NICKEL (Ni), (SOLDERING AVAILABLE)
SURFACE APPEARANCE: BRIGHT

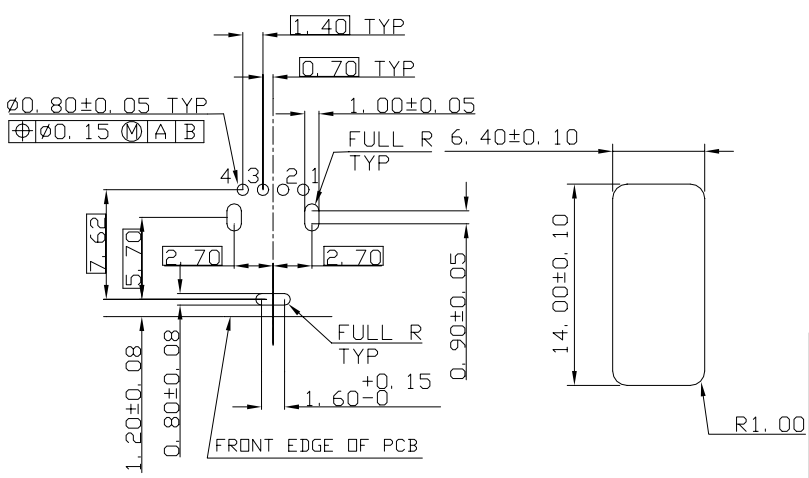
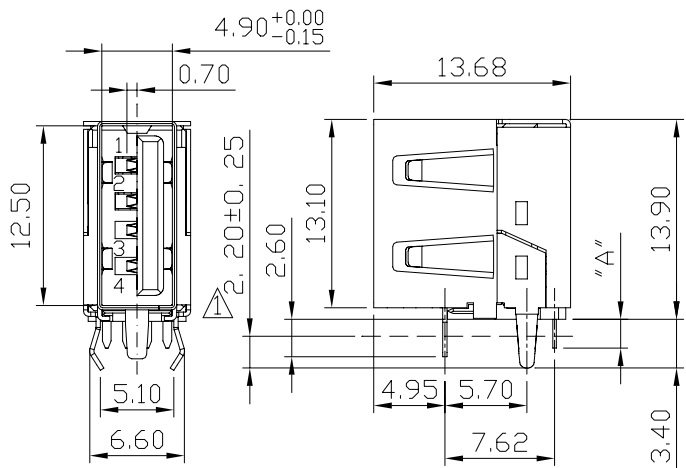
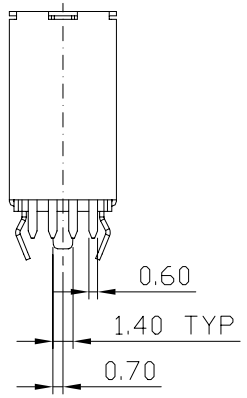
▲ FOR IR REFLOW PROCESS, TIN-LEAD PLATED AREA

3.RECOMMENDED PCB THICKNESS:1.60±0.05 OR 2.00±0.05

4.PRODUCT SPECIFICATION:REFER TO PS-67578-001

5.PACKAGING SPECIFICATION:REFER TO PK-67578-001

6.TEST SUMMARY:REFER TO TS-67578-001



HSG COLOR	DIMENSION "A"	P/N FOR TRAY PACKING	
BLACK	2.00±0.15	67579-0000	GOLD FLASH PLATING ON CONTACT AREA
		67579-0001	30 MICRO INCH GOLD PLATING ON CONTACT AREA
	3.10±0.10	67579-0002	GOLD FLASH PLATING ON CONTACT AREA
		67579-0003	30 MICRO INCH GOLD PLATING ON CONTACT AREA
WHITE	2.00±0.15	67579-1000	GOLD FLASH PLATING ON CONTACT AREA
		67579-1001	30 MICRO INCH GOLD PLATING ON CONTACT AREA
	3.10±0.10	67579-1002	GOLD FLASH PLATING ON CONTACT AREA
67579-1003		30 MICRO INCH GOLD PLATING ON CONTACT AREA	

RTM EC NO: T2002-0272 DRWN: Linda CHK: Thompson Wu APPR: Erick Lan	DESCRIPTION MAJOR = CRITICAL =	QUALITY SYMBOLS	GENERAL TOLERANCES: (UNLESS SPECIFIED)	SCALE 2.5:1	DESIGN UNITS <input checked="" type="checkbox"/> MM <input type="checkbox"/> INCH	<input checked="" type="checkbox"/> THIRD ANGLE PROJECTION	DIMENSIONS: <input type="checkbox"/> mm <input type="checkbox"/> INCH <input type="checkbox"/> mm <input checked="" type="checkbox"/> ONLY	SHT REV
		4 PLACES \ /	mm INCH	DRAWN BY & DATE LINDA 2003/04/24	TITLE: USB UPRIGHT CONNECTOR REVERSE TYPE	REVISION CAD ONLY		
B	REV	2 PLACES ±0.25	ANGULAR: ±3°	CHECKED BY & DATE	APPROVED BY & DATE	MOLEX INCORPORATED		SHEET NO. 1 OF 1
		1 PLACE ±0.25	DRAFT WHERE APPLICABLE MUST REMAIN WITHIN DIMENSIONS	CAD FILENAME S6757901S1.PDF	MATERIAL NO. SEE TABLE	DRAWING NO. SD-67579-001	SIZE A4	

RECOMMENDED PCB LAYOUT

RECOMMENDED PANEL OPENING