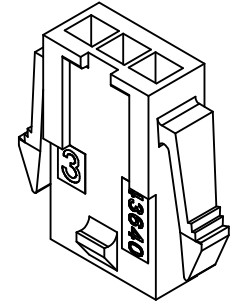


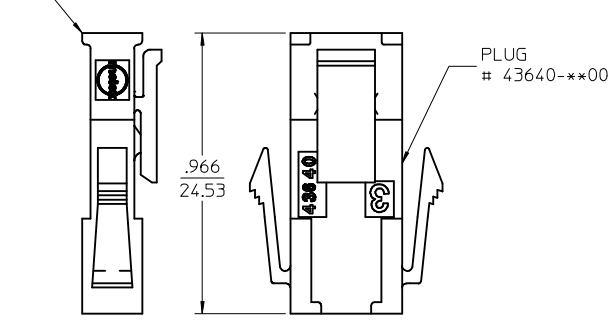
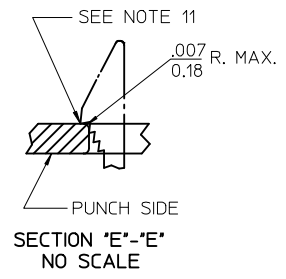
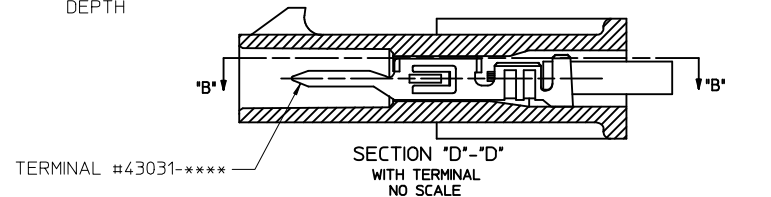
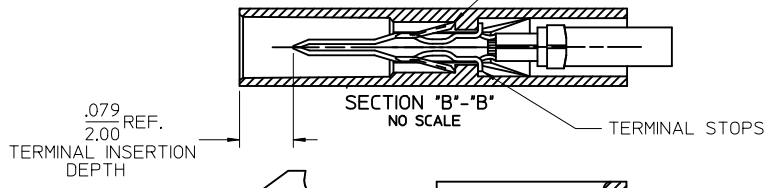
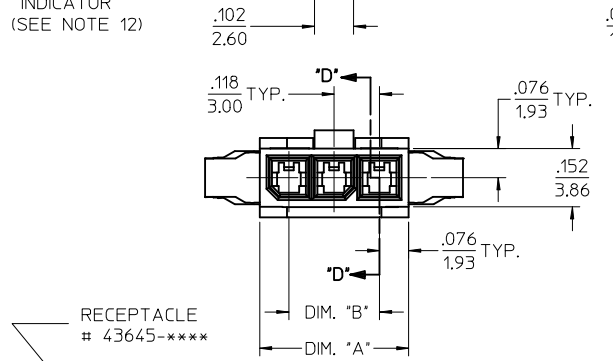
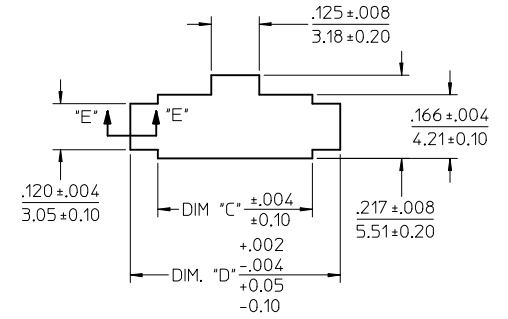
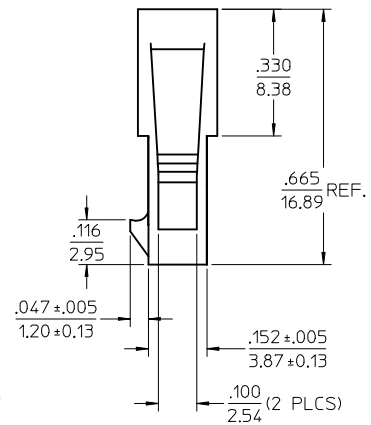
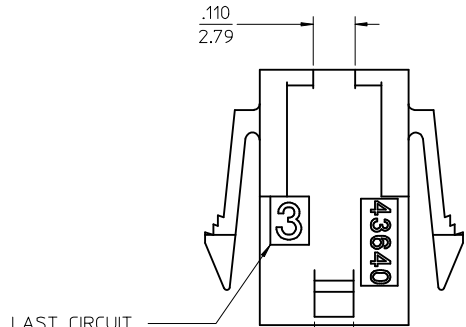
ASSEMBLY ITEM NUMBER	PART CHARACTERISTICS NUMBER OF POSITION
43640-0200	02
43640-0300	03
43640-0400	04
43640-0500	05
43640-0600	06
43640-0700	07
43640-0800	08
43640-0900	09
43640-1000	10
43640-1100	11
43640-1200	12

CKT. NO.	DIM. "A"	DIM. "B"	DIM. "C"	DIM. "D"
2	.270/6.85	.118/3.00	.284/7.21	.429/10.90
3	.388/9.85	.236/6.00	.402/10.21	.547/13.89
4	.506/12.85	.354/9.00	.520/13.21	.665/16.89
5	.624/15.85	.472/12.00	.638/16.21	.783/19.89
6	.742/18.85	.591/15.00	.756/19.21	.901/22.89
7	.860/21.85	.709/18.00	.874/22.20	1.019/25.88
8	.978/24.85	.827/21.00	.992/25.20	1.137/28.88
9	1.096/27.85	.945/24.00	1.110/28.20	1.255/31.88
10	1.215/30.85	1.063/27.00	1.229/31.22	1.373/34.87
11	1.333/33.85	1.181/30.00	1.347/34.22	1.491/37.87
12	1.451/36.85	1.299/33.00	1.465/37.22	1.609/40.87

- NOTES:
- HOUSING MATERIAL: UNFILLED NYLON, RATED UL94V-0 COLOR IS BLACK, (LOW-HALOGEN)
  - FINISH: NONE
  - PRODUCT SPECIFICATION: PS-43650
  - PACKAGING SPECIFICATION: PK-43640-003
  - THIS HOUSING MATES WITH MICRO-FIT RECEPTACLE #43645-\*\*\*\*.
  - THIS HOUSING IS DESIGNED IN METRIC
  - THIS HOUSING TO BE USED WITH MOLEX MALE TERMINAL #43031-\*\*\*\*.
  - PLUG DESIGNED FOR .062/1.57 TO .090/2.30 THICK STAMPED PANEL OR PRINTED CIRCUIT BOARD.
  - SEE SECTION "D"- "D" FOR TERMINAL ORIENTATION IN HOUSING.
  - SEE SHEET 2 FOR PLUG WITHOUT PANEL MOUNTS.
  - PANEL MOUNT FEATURES MUST LOCK ON SIDE OPPOSITE PUNCH SIDE FOR OPTIMUM RETENTION.
  - LAST CIRCUIT INDICATOR IS NOT PRESENT ON 2 CIRCUIT HOUSING.
  - THIS PART CONFORMS TO CLASS B REQUIREMENTS OF COSMETIC SPECIFICATION PS-45499-002.

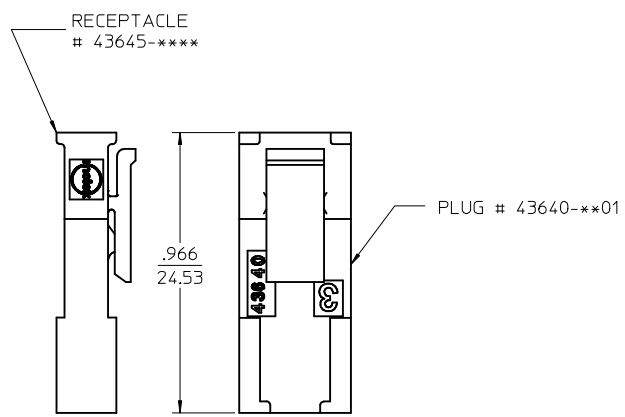
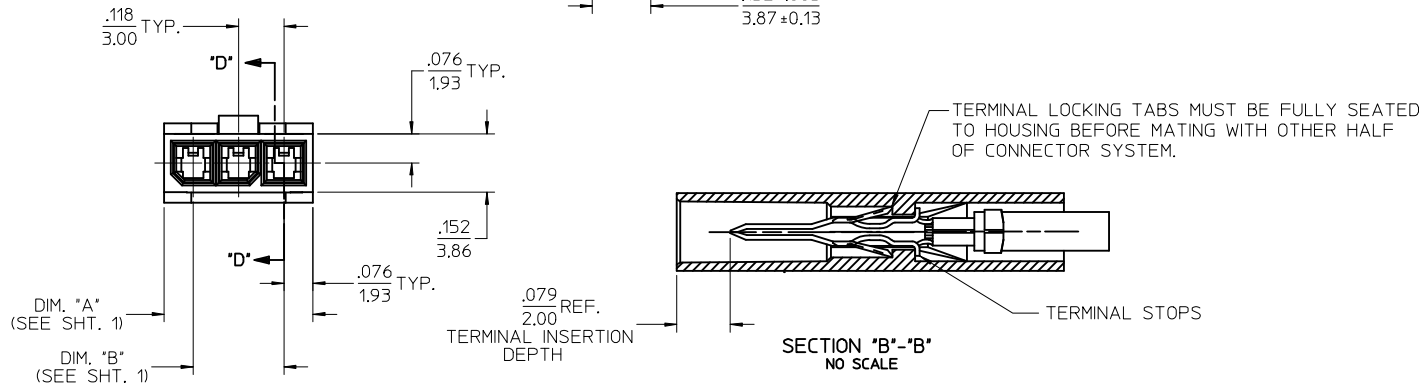
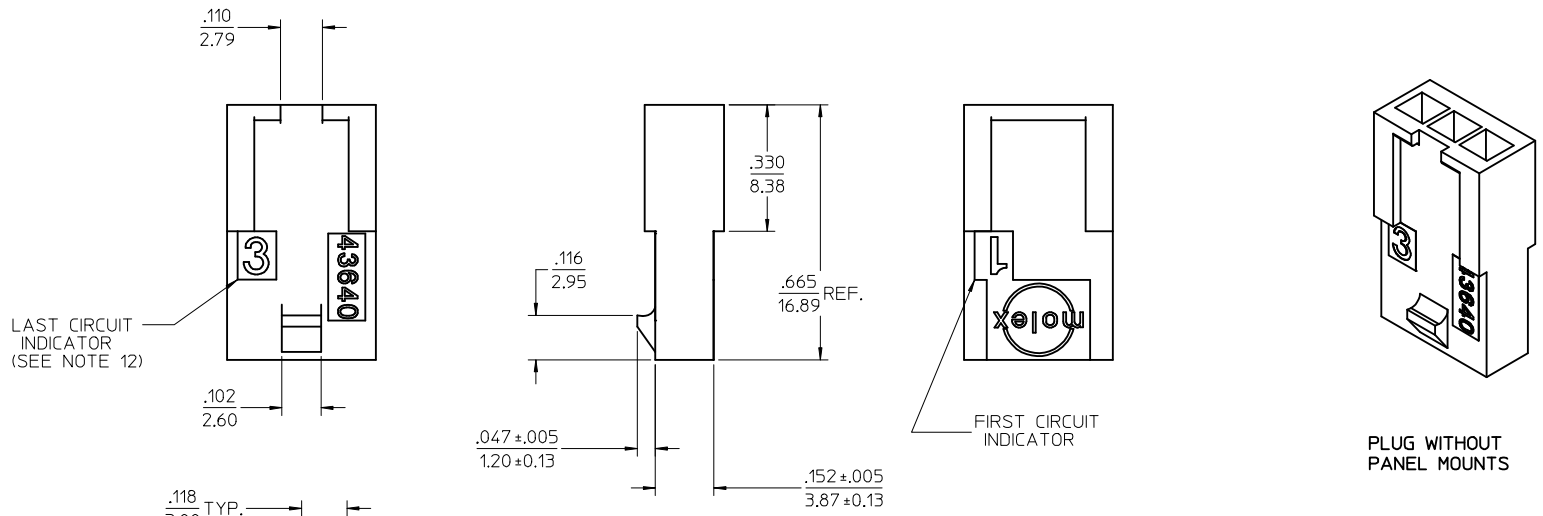


PLUG WITH PANEL MOUNTS



UPDATE PUNCHED HOLE EC NO: UCP2017-0525 DRWN: J001LES 2016/09/13 CHKD: S50USEK 2016/09/13 APPR: FSMITH 2016/10/07	QUALITY SYMBOLS ▽=0 ▽=0 ▽=0	GENERAL TOLERANCES (UNLESS SPECIFIED)	DIMENSION STYLE		SCALE	DESIGN UNITS	THIRD ANGLE PROJECTION
			mm	INCH			
REV: F6	DESCRIPTION	DRAFT WHERE APPLICABLE MUST REMAIN WITHIN DIMENSIONS	DRAWN BY		DATE	TITLE	DOCUMENT NO.
			AFG				
			CHECKED BY		DATE		
			BAP		1996/01/19		
			APPROVED BY		DATE		
			RJF		1996/01/19		
			MATERIAL NO.				
			SEE CHART				
			ANGULAR ± 5 °				
			SIZE				
			C				
			THIS DRAWING CONTAINS INFORMATION THAT IS PROPRIETARY TO MOLEX INCORPORATED AND SHOULD NOT BE USED WITHOUT WRITTEN PERMISSION				

ASSEMBLY ITEM NUMBER	PART CHARACTERISTICS NUMBER OF POSITION
43640-0201	02
43640-0301	03
43640-0401	04
43640-0501	05
43640-0601	06
43640-0701	07
43640-0801	08
43640-0901	09
43640-1001	10
43640-1101	11
43640-1201	12



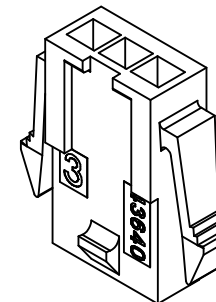
<b>SEE SHEET 1</b> EC NO: UCP2017-0525 DRWN: JUILLES 2016/09/13 CHKD: SSOUSEK 2016/09/13 APPR: FSMITH 2016/10/07	QUALITY SYMBOLS ▽=0 ▽=0 ▽=0	GENERAL TOLERANCES (UNLESS SPECIFIED)		DIMENSION STYLE IN/MM		SCALE 4:1	DESIGN UNITS METRIC	THIRD ANGLE PROJECTION	
		4 PLACES ± --- ± --- 3 PLACES ± --- ± .010 2 PLACES ± 0.25 ± .014 1 PLACE ± 0.35 ± --- 0 PLACE ± ±	mm INCH	DRAWN BY AFG CHECKED BY BAP APPROVED BY RJF	DATE 1996/01/19 DATE 1996/01/19 DATE 1996/01/19	TITLE <b>MICRO-FIT (3.0) IN-LINE          2 THRU 12 CIRCUIT PLUG          W/ OPTIONAL PANEL MOUNTS</b>		<b>molex</b>	
F6	REV	DRAFT WHERE APPLICABLE MUST REMAIN WITHIN DIMENSIONS		MATERIAL NO. SEE CHART		DOCUMENT NO. SD-43640-****		THIS DRAWING CONTAINS INFORMATION THAT IS PROPRIETARY TO MOLEX INCORPORATED AND SHOULD NOT BE USED WITHOUT WRITTEN PERMISSION	

ASSEMBLY ITEM NUMBER	PART CHARACTERISTICS NUMBER OF POSITION
43640-0200	02
43640-0300	03
43640-0400	04
43640-0500	05
43640-0600	06
43640-0700	07
43640-0800	08
43640-0900	09
43640-1000	10
43640-1100	11
43640-1200	12

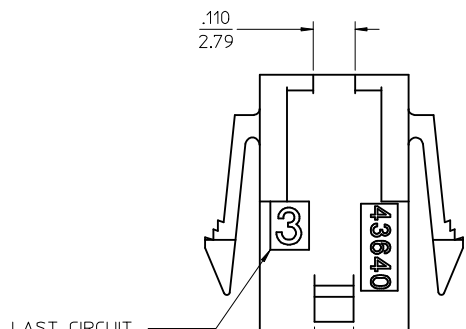
CKT. NO.	DIM. "A"	DIM. "B"	DIM. "C"	DIM. "D"
2	.270/6.85	.118/3.00	.284/7.21	.429/10.90
3	.388/9.85	.236/6.00	.402/10.21	.547/13.89
4	.506/12.85	.354/9.00	.520/13.21	.665/16.89
5	.624/15.85	.472/12.00	.638/16.21	.783/19.89
6	.742/18.85	.591/15.00	.756/19.21	.901/22.89
7	.860/21.85	.709/18.00	.874/22.20	1.019/25.88
8	.978/24.85	.827/21.00	.992/25.20	1.137/28.88
9	1.096/27.85	.945/24.00	1.110/28.20	1.255/31.88
10	1.215/30.85	1.063/27.00	1.229/31.22	1.373/34.87
11	1.333/33.85	1.181/30.00	1.347/34.22	1.491/37.87
12	1.451/36.85	1.299/33.00	1.465/37.22	1.609/40.87

NOTES:

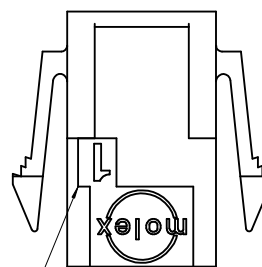
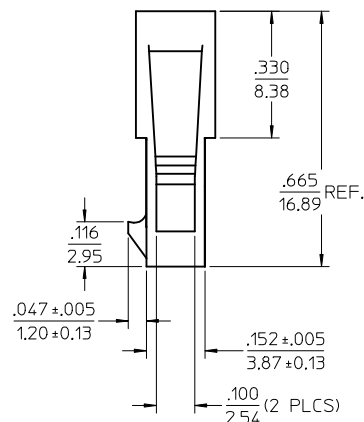
- HOUSING MATERIAL: UNFILLED NYLON, RATED UL94V-0 COLOR IS BLACK, (LOW-HALOGEN)
- FINISH: NONE
- PRODUCT SPECIFICATION: PS-43650
- PACKAGING SPECIFICATION: PK-43640-003
- THIS HOUSING MATES WITH MICRO-FIT RECEPTACLE #43645-\*\*\*\*.
- THIS HOUSING IS DESIGNED IN METRIC
- THIS HOUSING TO BE USED WITH MOLEX MALE TERMINAL #43031-\*\*\*\*.
- PLUG DESIGNED FOR .062/1.57 TO .090/2.30 THICK STAMPED PANEL OR PRINTED CIRCUIT BOARD.
- SEE SECTION "D"- "D" FOR TERMINAL ORIENTATION IN HOUSING.
- SEE SHEET 2 FOR PLUG WITHOUT PANEL MOUNTS.
- PANEL MOUNT FEATURES MUST LOCK ON SIDE OPPOSITE PUNCH SIDE FOR OPTIMUM RETENTION.
- LAST CIRCUIT INDICATOR IS NOT PRESENT ON 2 CIRCUIT HOUSING.
- THIS PART CONFORMS TO CLASS B REQUIREMENTS OF COSMETIC SPECIFICATION PS-45499-002.



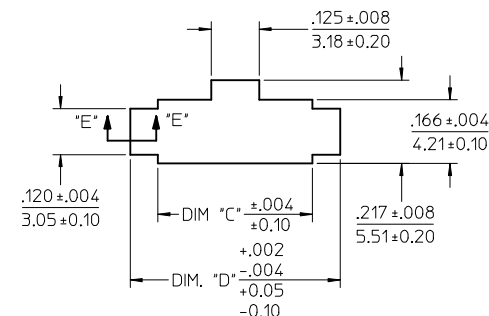
PLUG WITH PANEL MOUNTS



LAST CIRCUIT INDICATOR (SEE NOTE 12)

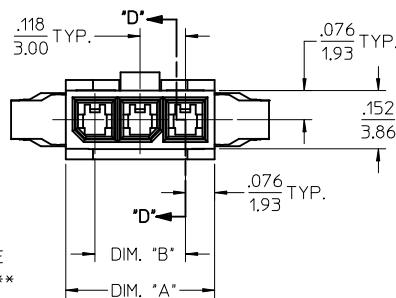


FIRST CIRCUIT INDICATOR



RECOMMENDED PANEL CUT-OUT (SEE NOTES 8 & 11)

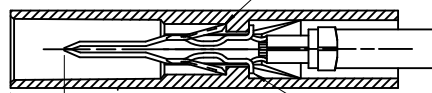
TERMINAL LOCKING TABS MUST BE FULLY SEATED TO HOUSING BEFORE MATING WITH OTHER HALF OF CONNECTOR SYSTEM.



RECEPTACLE # 43645-\*\*\*\*

PLUG # 43640-\*\*\*00

TERMINAL INSERTION DEPTH .079 REF. / 2.00



TERMINAL STOPS



SECTION "E"- "E" NO SCALE

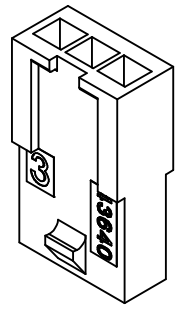
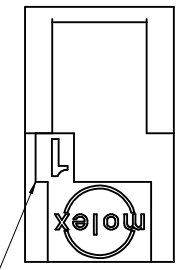
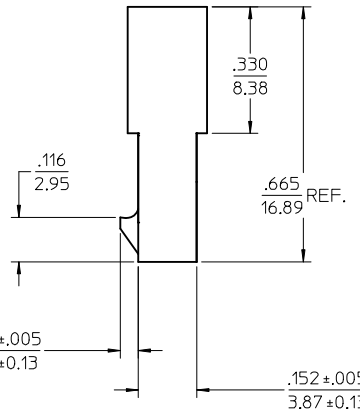
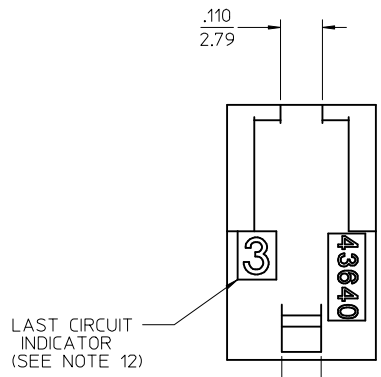


TERMINAL #43031-\*\*\*\*

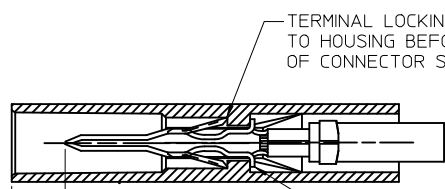
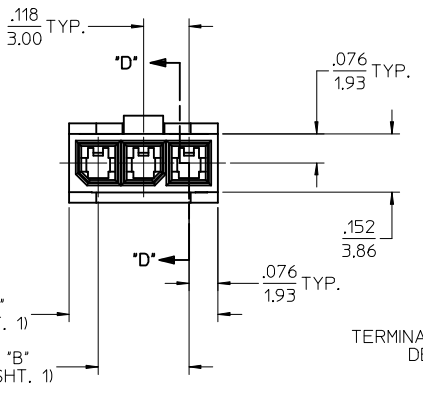
MATED MICRO-FIT CONNECTOR

UPDATE PUNCHED HOLE	QUALITY SYMBOLS	GENERAL TOLERANCES (UNLESS SPECIFIED)	DIMENSION STYLE	SCALE	DESIGN UNITS	THIRD ANGLE PROJECTION
EC NO: UCP2017-0525	▽ = 0	mm INCH	IN/MM	4:1	METRIC	THIRD ANGLE PROJECTION
DRWN: J001LES 2016/09/13	▽ = 0	4 PLACES ± .010	DRAWN BY DATE	TITLE		
CHKD: S50USEK 2016/09/13	▽ = 0	3 PLACES ± .010	AFG 1996/01/19	MICRO-FIT (3.0) IN-LINE		
APPR: FSMITH 2016/10/07	▽ = 0	2 PLACES ± 0.25 ± .014	CHECKED BY DATE	2 THRU 12 CIRCUIT PLUG		
		1 PLACE ± 0.35 ± .014	BAP 1996/01/19	W/ OPTIONAL PANEL MOUNTS		
		0 PLACE ± ±	APPROVED BY DATE			
		ANGULAR ± 5 °	RJF 1996/01/19			
		DRAFT WHERE APPLICABLE MUST REMAIN WITHIN DIMENSIONS	MATERIAL NO.	DOCUMENT NO.	SHEET NO.	
			SEE CHART	SD-43640-****	1 OF 2	
			SIZE C	THIS DRAWING CONTAINS INFORMATION THAT IS PROPRIETARY TO MOLEX INCORPORATED AND SHOULD NOT BE USED WITHOUT WRITTEN PERMISSION		

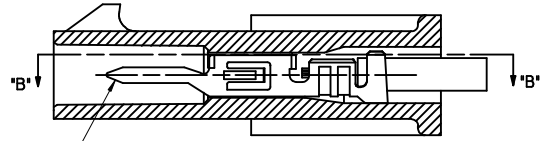
ASSEMBLY ITEM NUMBER	PART CHARACTERISTICS NUMBER OF POSITION
43640-0201	02
43640-0301	03
43640-0401	04
43640-0501	05
43640-0601	06
43640-0701	07
43640-0801	08
43640-0901	09
43640-1001	10
43640-1101	11
43640-1201	12



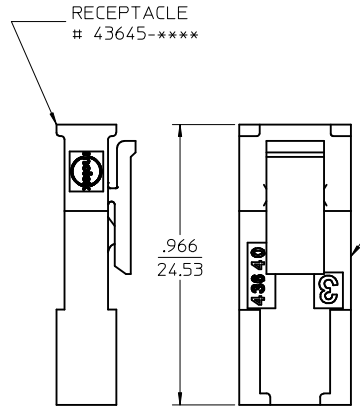
PLUG WITHOUT PANEL MOUNTS



SECTION "B"- "B"  
NO SCALE



SECTION "D"- "D"  
WITH TERMINAL  
NO SCALE



MATED MICRO-FIT CONNECTOR

SEE SHEET 1 REV F6	DESCRIPTION REV	QUALITY SYMBOLS ▽=0	GENERAL TOLERANCES (UNLESS SPECIFIED)		DIMENSION STYLE IN/MM	SCALE 4:1	DESIGN UNITS METRIC	THIRD ANGLE PROJECTION
			mm	INCH				
EC NO: UCP2017-0525	DRWN: JUILLES	2016/09/13	4 PLACES	± .010	DRAWN BY	DATE	MICRO-FIT (3.0) IN-LINE 2 THRU 12 CIRCUIT PLUG W/ OPTIONAL PANEL MOUNTS <b>molex</b> DOCUMENT NO. SD-43640-**** SHEET NO. 2 OF 2	
CHKD: SSOUSEK	2016/09/13	3 PLACES	± .010	CHECKED BY	DATE			
APPR: FSMITH	2016/10/07	2 PLACES	± .014	BAP	1996/01/19			
		1 PLACE	± 0.35	APPROVED BY	DATE			
		0 PLACE	±	RJF	1996/01/19			
DRAFT WHERE APPLICABLE MUST REMAIN WITHIN DIMENSIONS			ANGULAR ± 5 °		MATERIAL NO. SEE CHART			
THIS DRAWING CONTAINS INFORMATION THAT IS PROPRIETARY TO MOLEX INCORPORATED AND SHOULD NOT BE USED WITHOUT WRITTEN PERMISSION								