

# Customer Information Sheet

DRAWING No.: S531-46

SHEET 3 OF 3

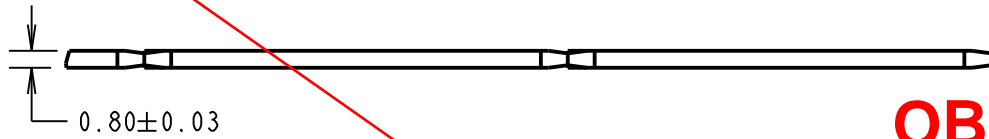
IF IN DOUBT - ASK

©

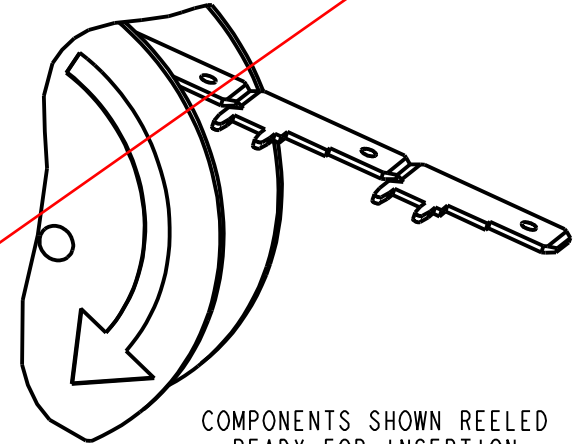
NOT TO SCALE

THIRD ANGLE PROJECTION

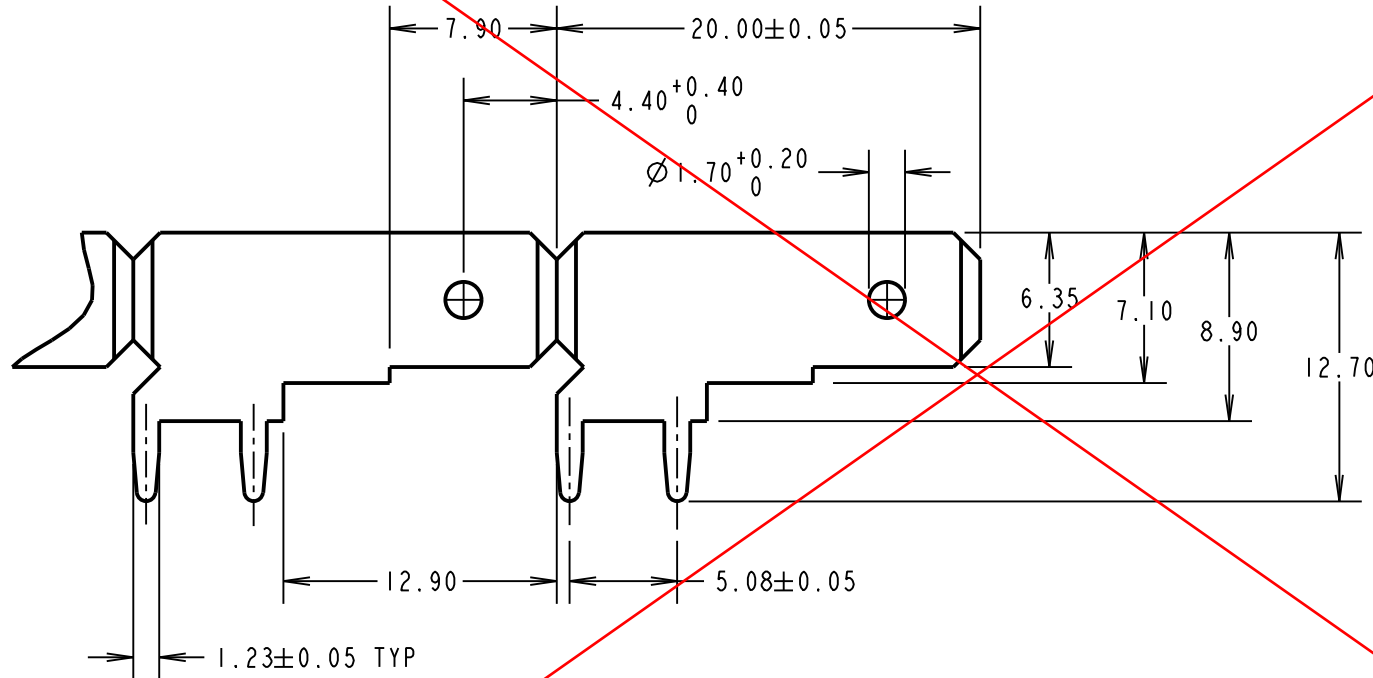
ALL DIMENSIONS IN mm



**OBSOLETE**



COMPONENTS SHOWN REELED  
READY FOR INSERTION



**NOTES:**

1. QUANTITY OF TABS PER REEL = 2,500.  
TOTAL WEIGHT PER REEL = 2.95kg (INCLUDING REEL)
2. RECOMMENDED MOUNTING HOLE SIZE =  $\varnothing 1.30 \pm 0.06$ mm.
3. RECOMMENDED PCB THICKNESS = 2.40mm.
4. PLATING THICKNESS = 4µ 100% TIN.

SB	8	21.08.14	12557
NAME	ISS.	DATE	C/NOTE
APPROVED:		S.BENNETT	
CHECKED:		S.FLOWER	
DRAWN:		M. G. PLESTED	
CUSTOMER REF.:			
ASSEMBLY DRG:			

**HARWIN**

www.harwin.com  
technical@harwin.com

THIS DRAWING AND ANY INFORMATION OR DESCRIPTIVE MATTER SET OUT HEREON ARE CONFIDENTIAL AND COPYRIGHT PROPERTY OF THE HARWIN GROUP AND MUST NOT BE DISCLOSED, LOANED, COPIED OR USED FOR MANUFACTURING, TENDERING OR FOR ANY OTHER PURPOSE WITHOUT THEIR WRITTEN PERMISSION.

**TOLERANCES**

X. = ±1mm  
X.X = ±0.25mm  
X.XX = ±0.10mm  
X.XXX = ±0.01mm

ANGLES = ±5°  
UNLESS STATED

**MATERIAL:**

BRASS CW508L TO BS EN 1652  
(CuZn37 HARD)

FINISH: SEE ABOVE

S/AREA: mm<sup>2</sup>

**TITLE:**

6.35mm HORIZONTAL BLADE  
REELED TAB TERMINAL

DRAWING NUMBER:

**S531-46**

SHT  
3  
OF  
3