



ANATECH ELECTRONICS INC
RF & Microwave Filters & Products

18000 MHz Harmonic Low Pass Filter

Part Number: LPH-1800-N



Electrical specifications

Passband: DC~18000 MHz
Insertion Loss: 0.7dB Max.
VSWR: 1.8:1 Max.
Rejection @21600 MHz: 25 dB Min.
Rejection @27000 MHz: 55 dB Min.
Power Handling: 50 Watts
Impedance: 50 Ohms

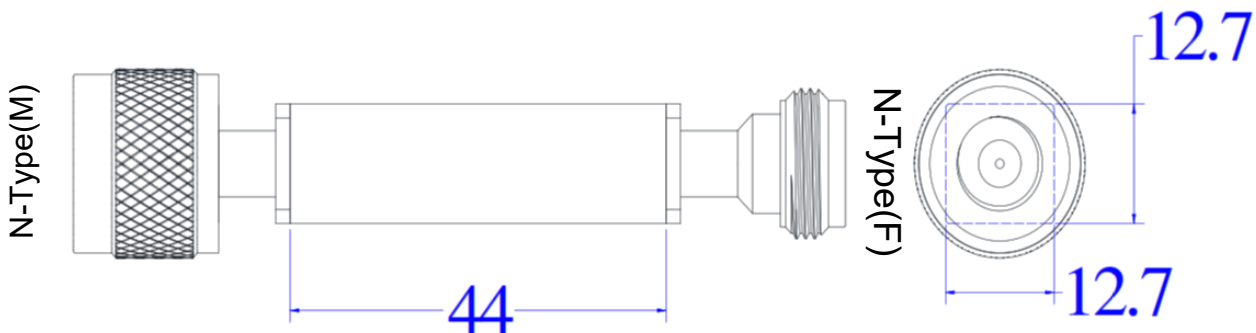
Mechanical

Mounting Method: N-Type (M & F)
Dimensions: 44.0 x 12.7 x 12.7 mm

Environmental

Operating Temperature: -40 to +85° C
Storage Temperature: -55 to +95° C

Outline Drawing:



Tolerance: +/-0.01 inches [+/-0.3mm]

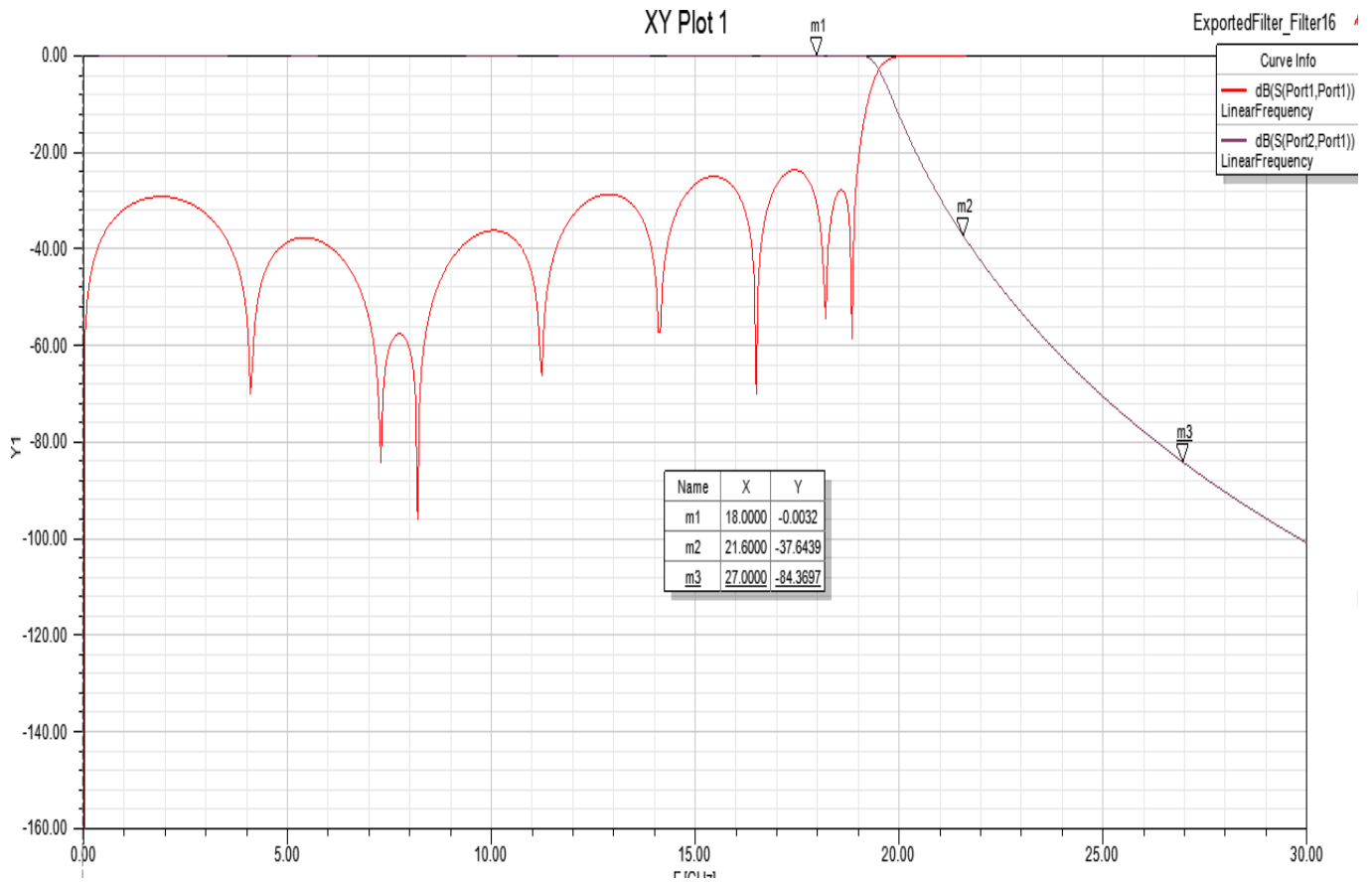
Angles: +/-1 Deg.

*Tolerance as shown unless otherwise specified in the datasheet electrical specification tables above.

*When max dimensions are called out the above tolerances do not apply as long as it is under the max call out.



Simulated Response Plot:



Note: This is a simulation Plot. Actual response plot might differ once product is manufactured.