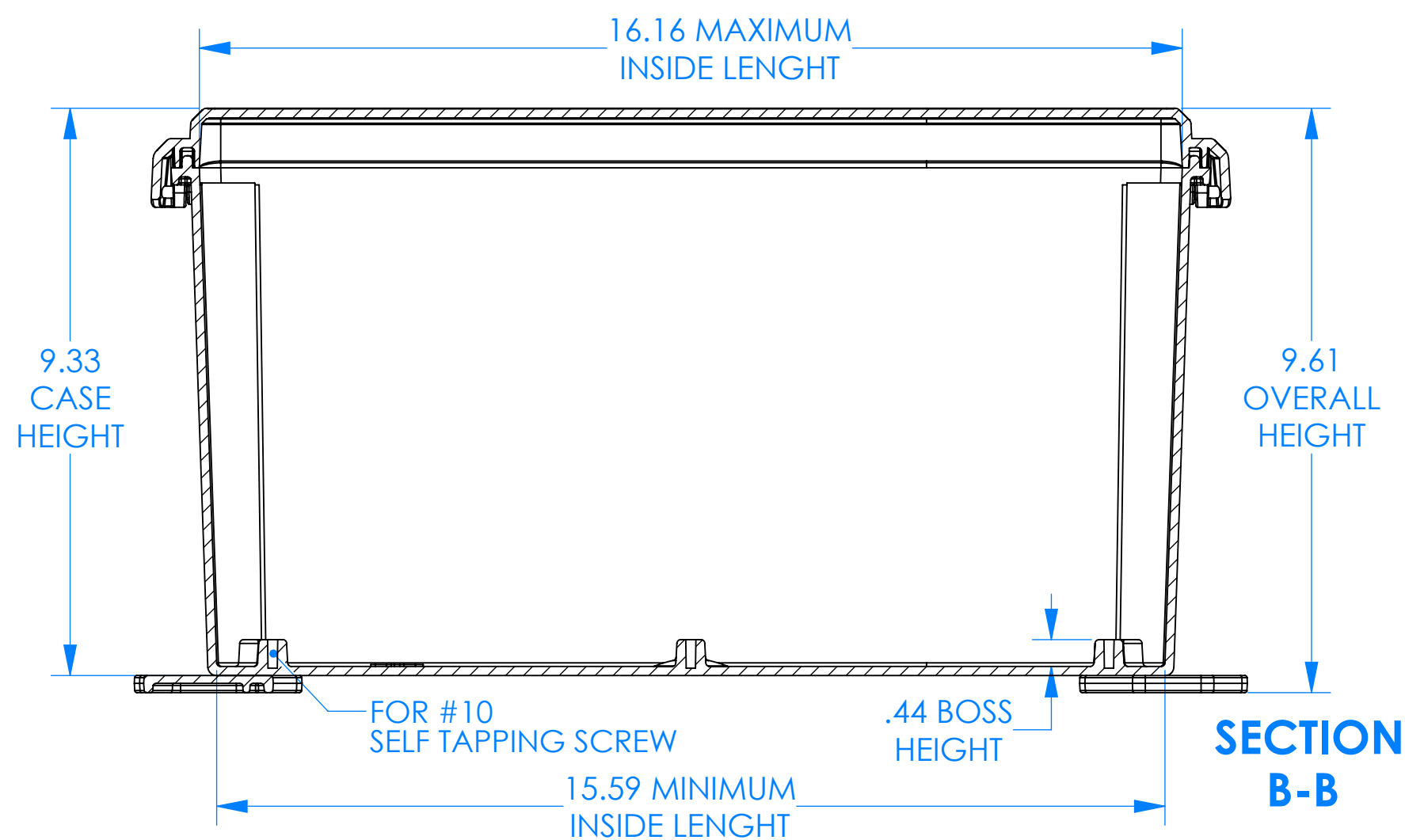
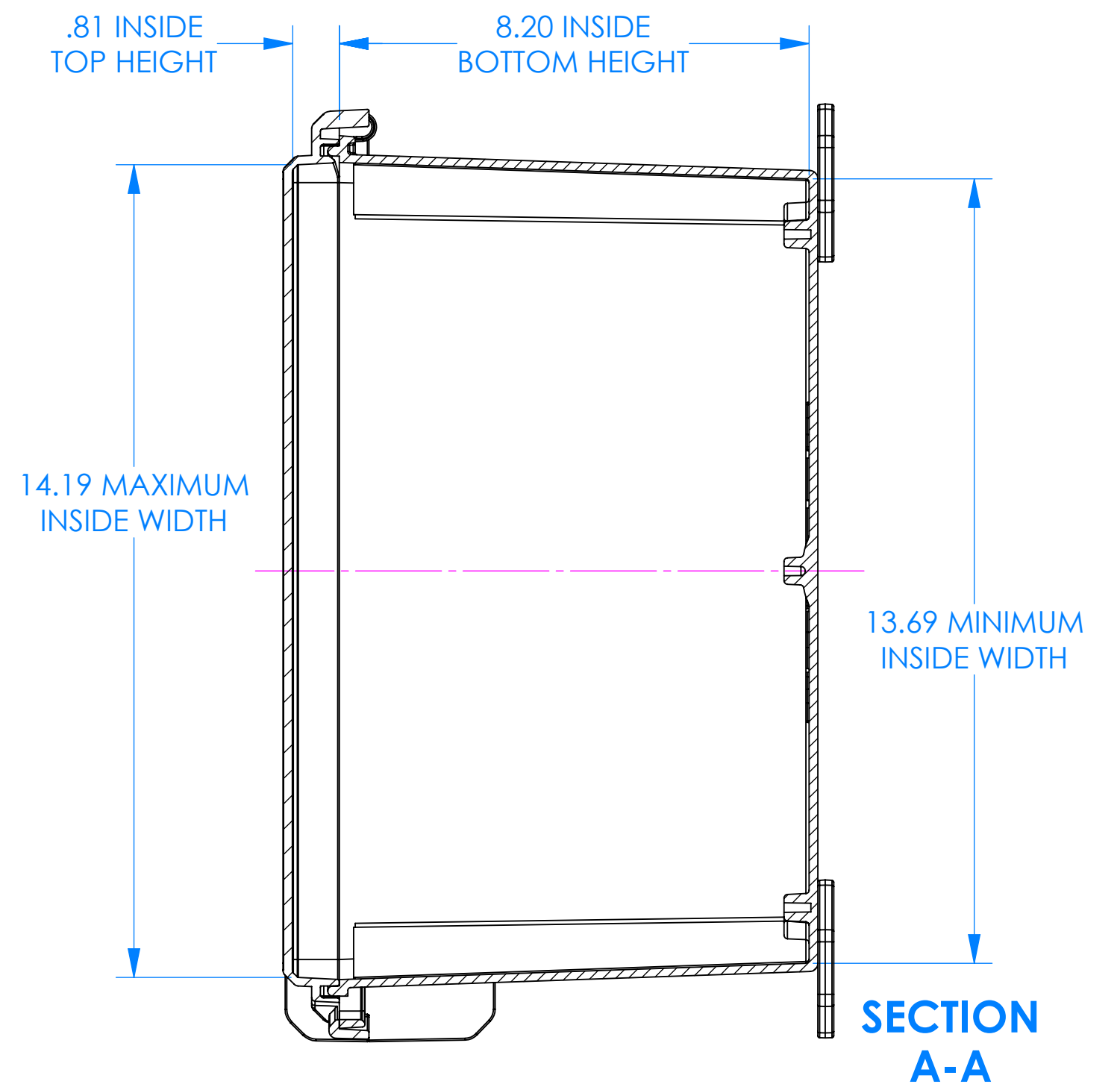
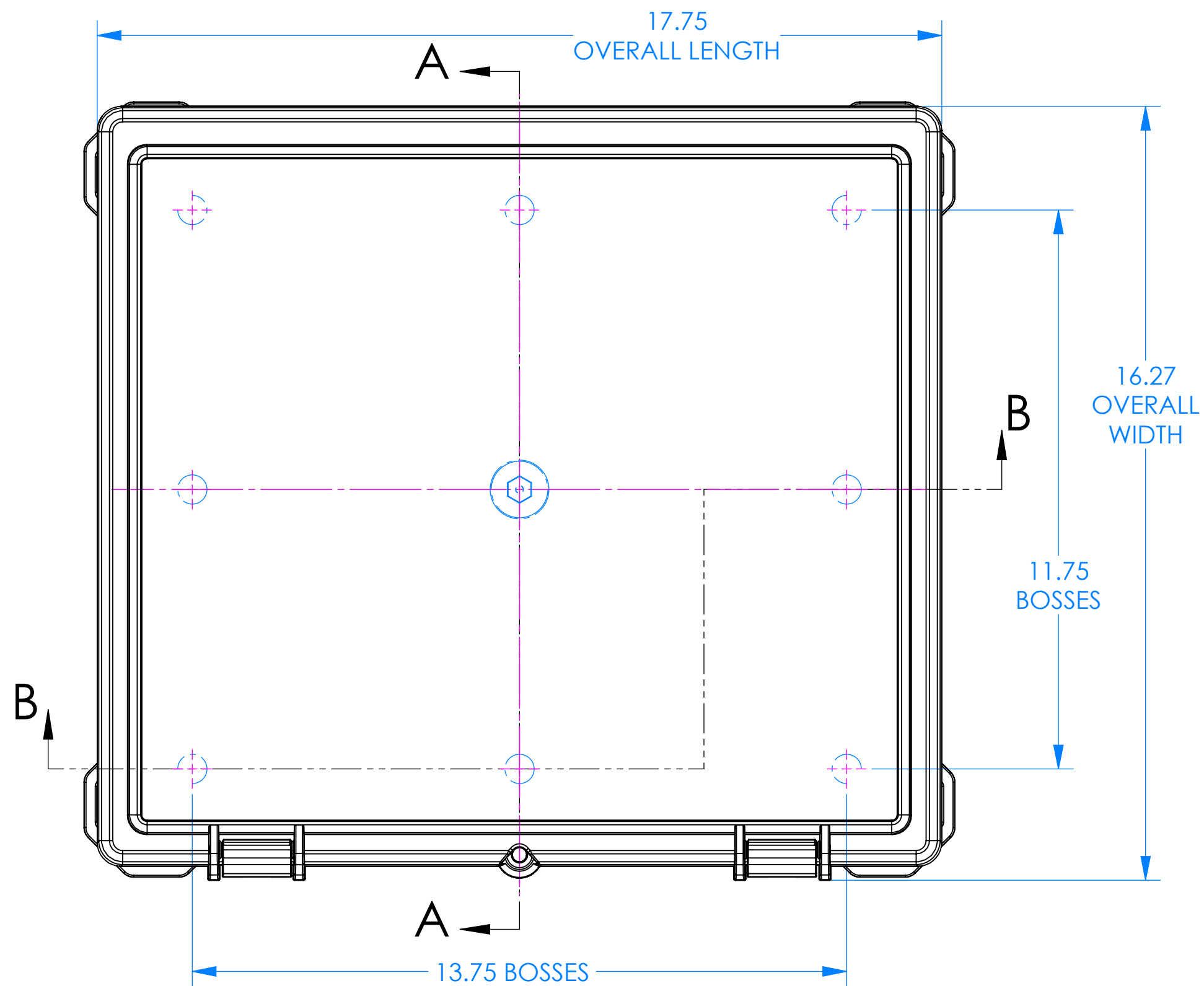
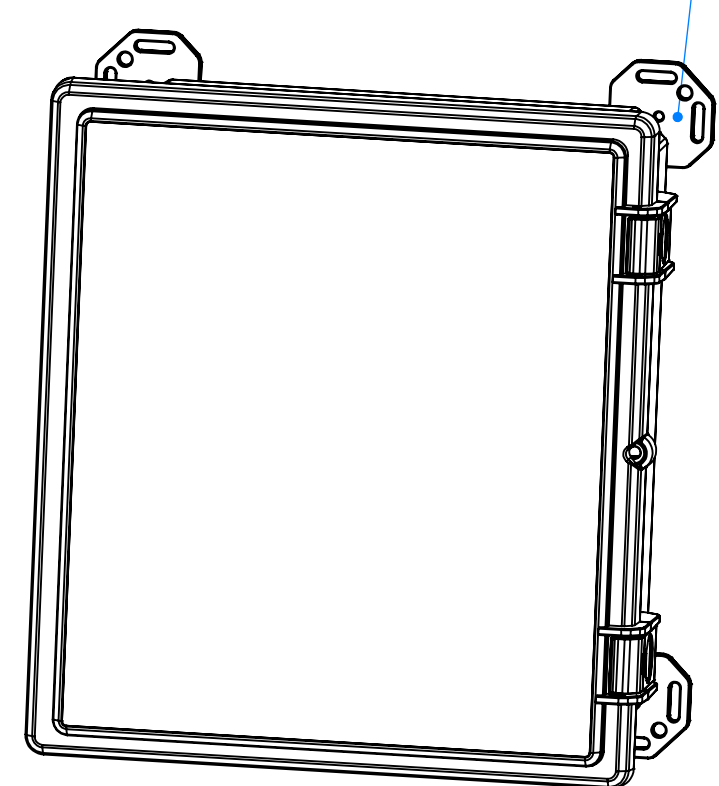


SERPAC I632HL

Electronic Enclosures



4 Mounting Brackets included. See Sheet 2 for dimensions.



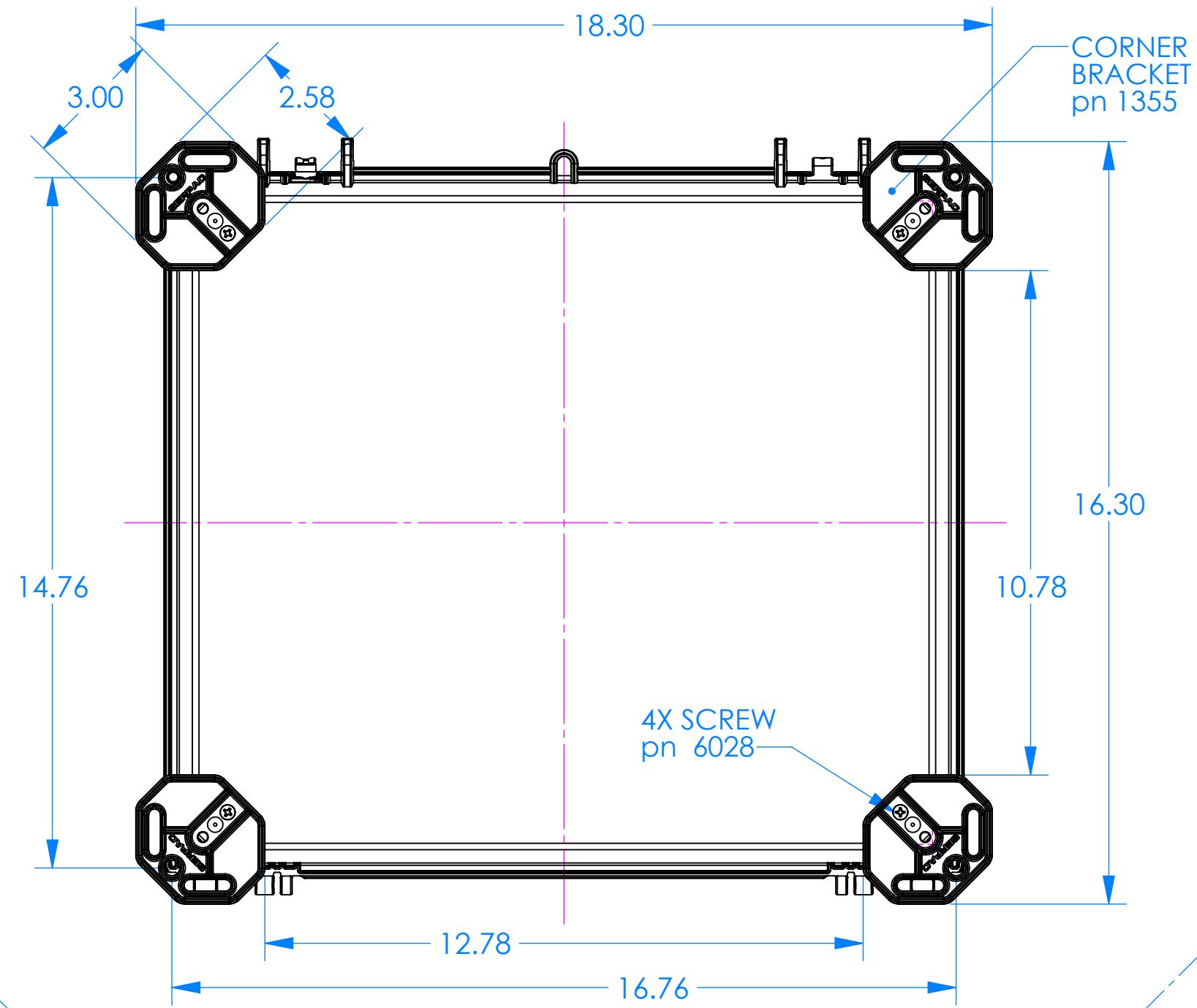
Aluminum Panel Kits are available as options, see sheets 3-5. The aluminum panel options are:
 Bottom Panel Kit p/n 73000B
 Top Panel Kit p/n 73040T
 Hinged Panel Kit p/n 73020TH

- UL listed to UL 508A 4/4X standard (UL file E519183).
- Material: UV stabilized Polycarbonate Flammability V0, F1 rated material.
- Watertight enclosure meets or exceeds Nema 4 and or IP67.

PARTS INCLUDED		
P/N	Qty.	Description
I652HLT	1	I652 Hinge Latch Top
I630HLB	1	I630 Hinge Latch Bottom
8650	1	650 Perimeter O-ring
7011PCM	2	Safety Latch for I-Series
1355	4	Corner Mounting Bracket
6028	9	SS #10 X 5/8" Pan H/L Screw

SERPAC I632HL Mounting Bracket Dimensions

Electronic Enclosures



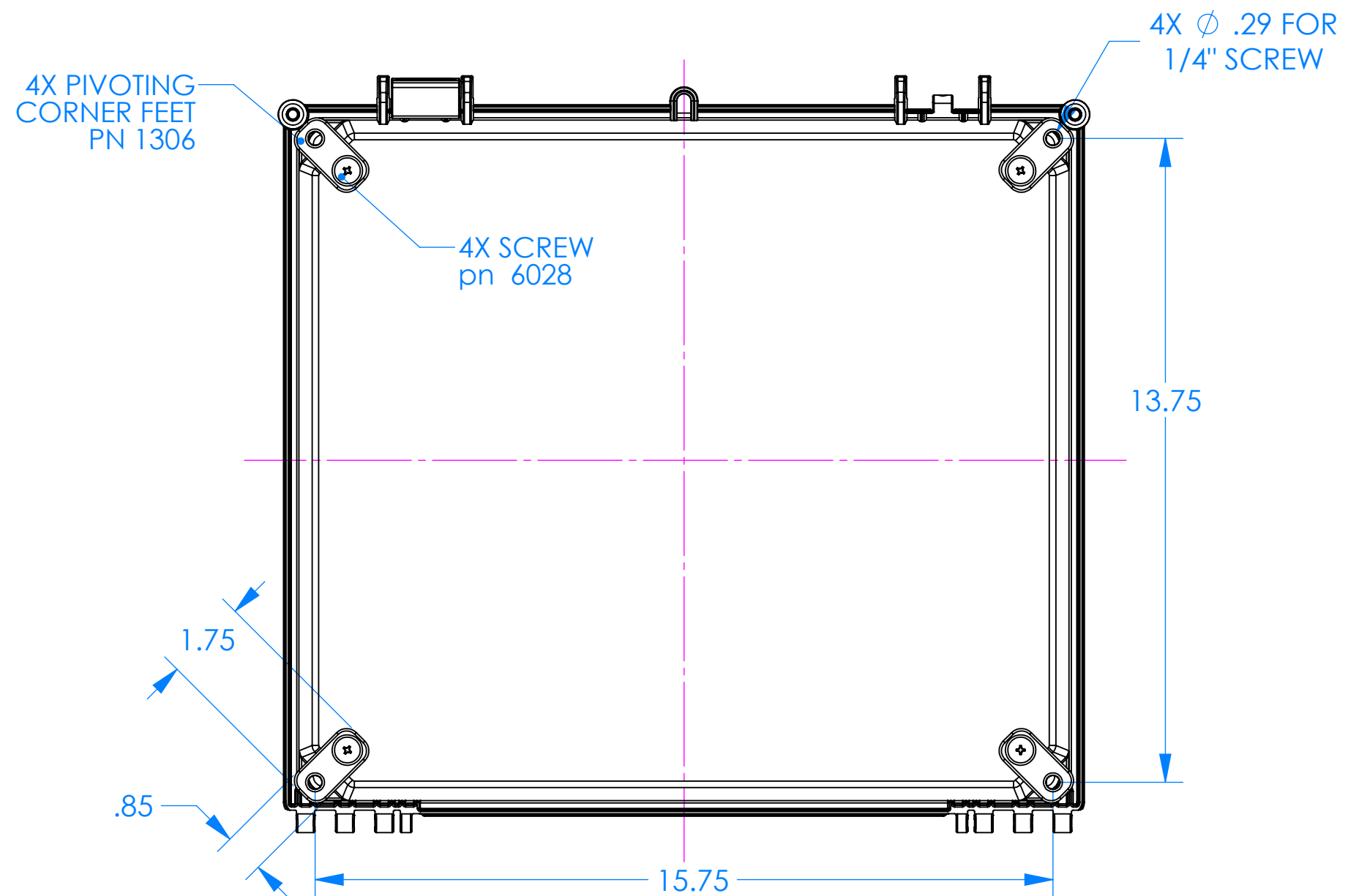
INCLUDED STANDARD 1355 FLANGE KIT

Parts Included in kit number 1355		
P/N	Qty.	Description
1355	4	Mounting Corner Bracket
6028	4	SS #10 X 5/8" Pan Combo H/L Screw

TOP & LATCHES REMOVED FOR CLARITY FROM ALL VIEWS

OPTIONAL 1306 CORNER FEET KIT

Parts Included in kit number 1306		
P/N	Qty.	Description
1306	4	Mounting Corner Feet
6028	4	SS #10 X 5/8" Pan Combo H/L Screw

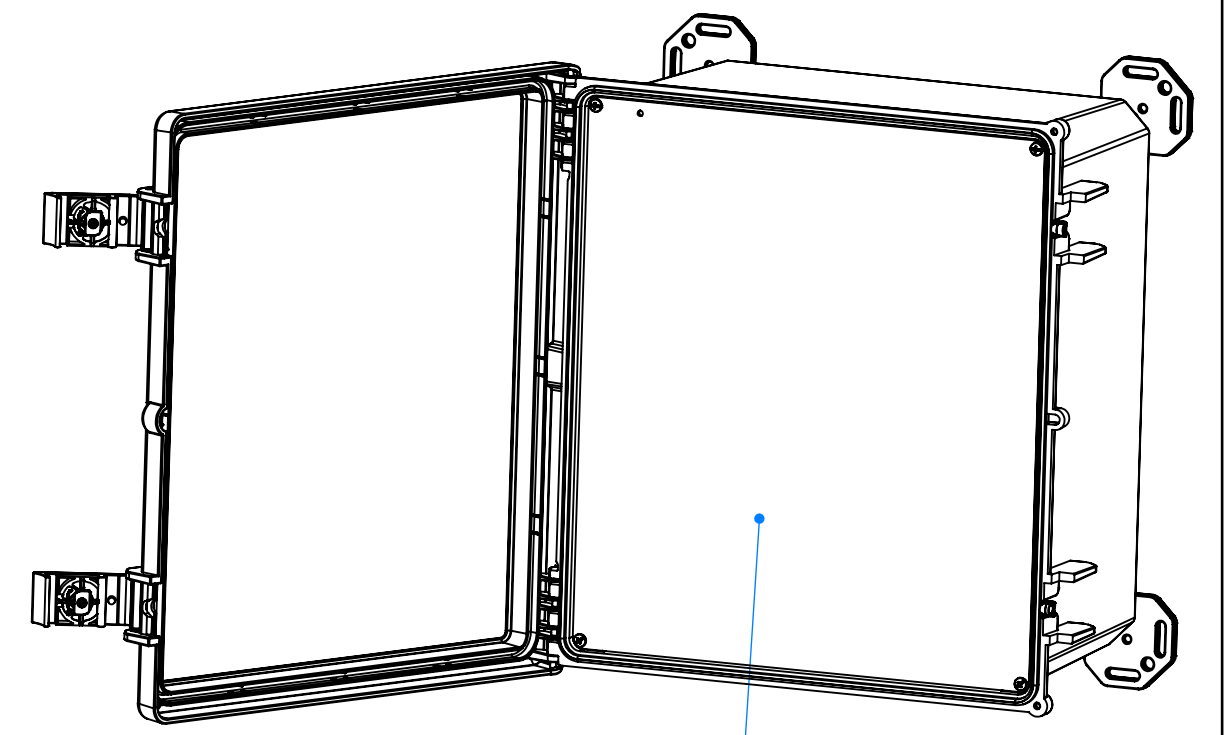
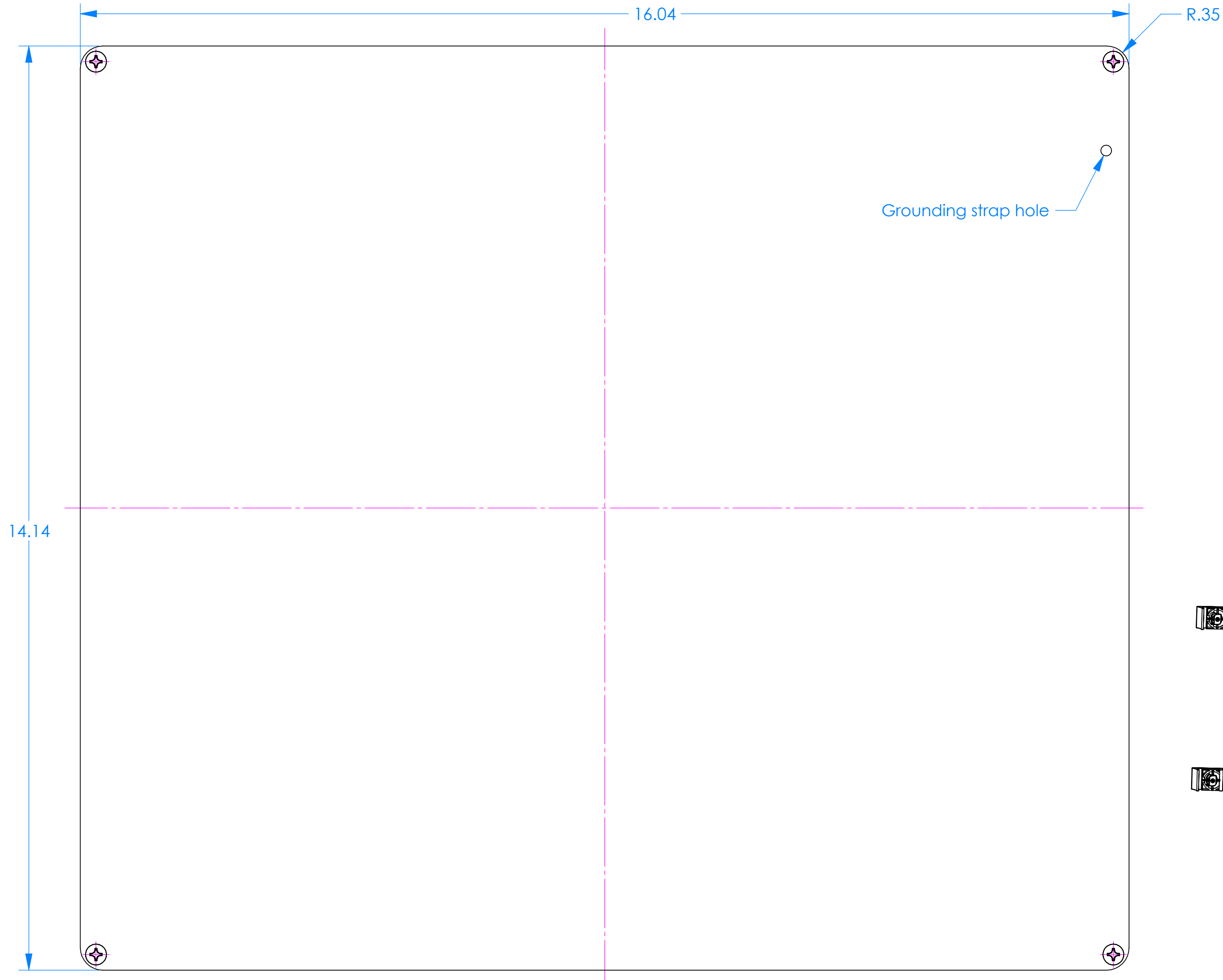


4/14/2021

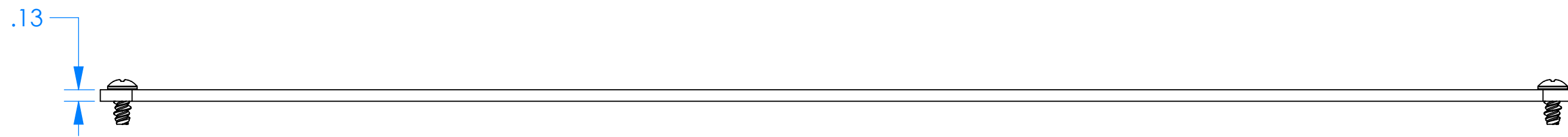
2009 Wright Ave. La Verne, CA 91750
Ph. (626) 331-0517 Fx. (626) 331-8584 serpac.com

SERPAC 7300T Top Panel Kit for I632HL

Electronic Enclosures



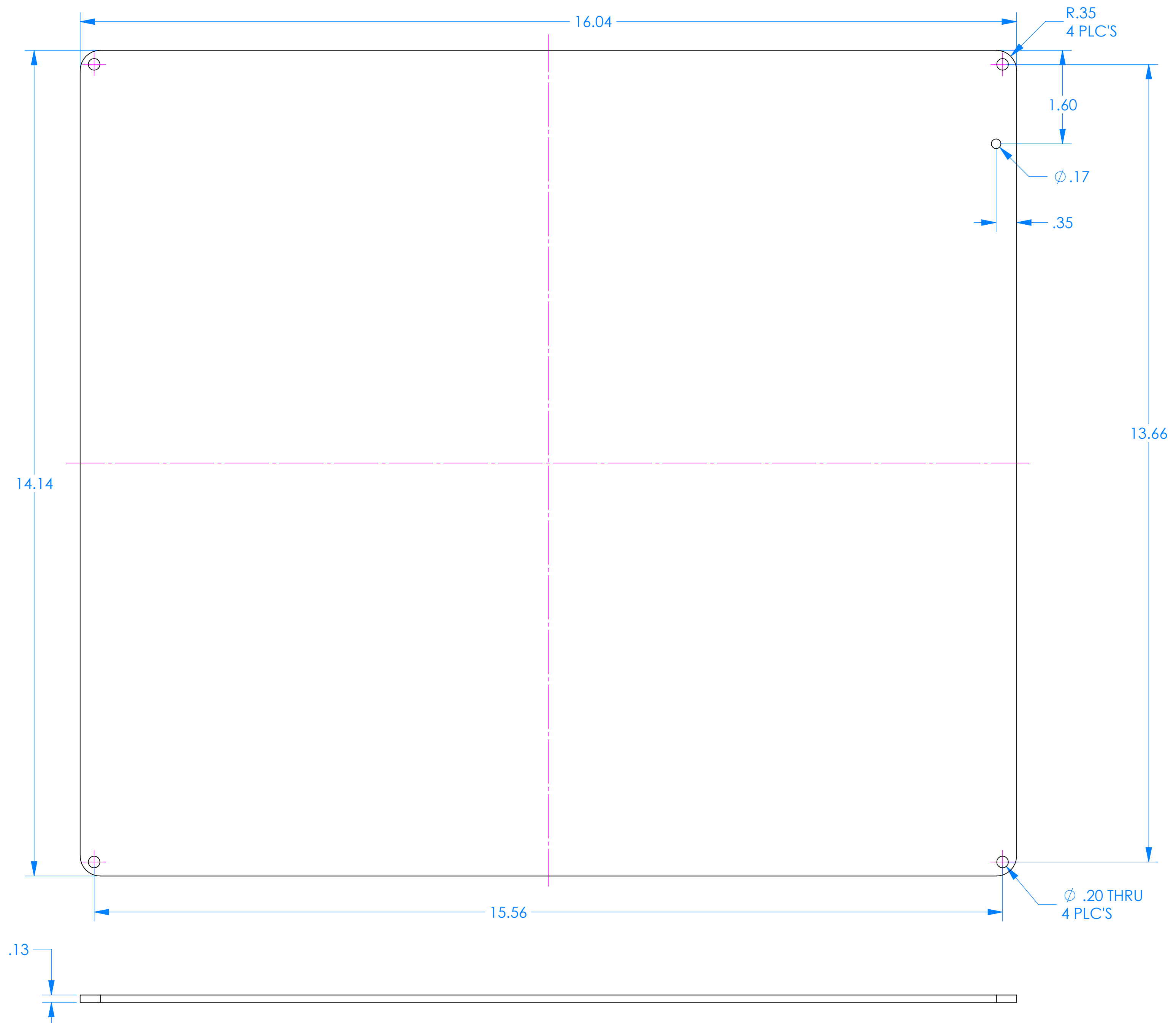
Optional kit
pn 7300T



Parts Included in kit number 7300T		
P/N	Qty.	Description
73040	1	Top Aluminum Panel
6029	4	SS #10 X 3/8" Pan HL Screw

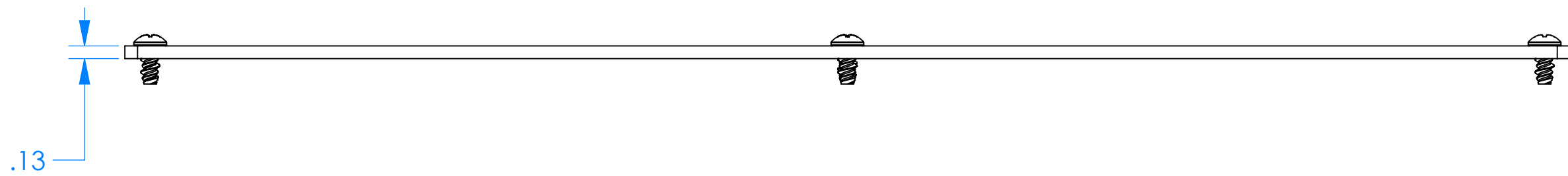
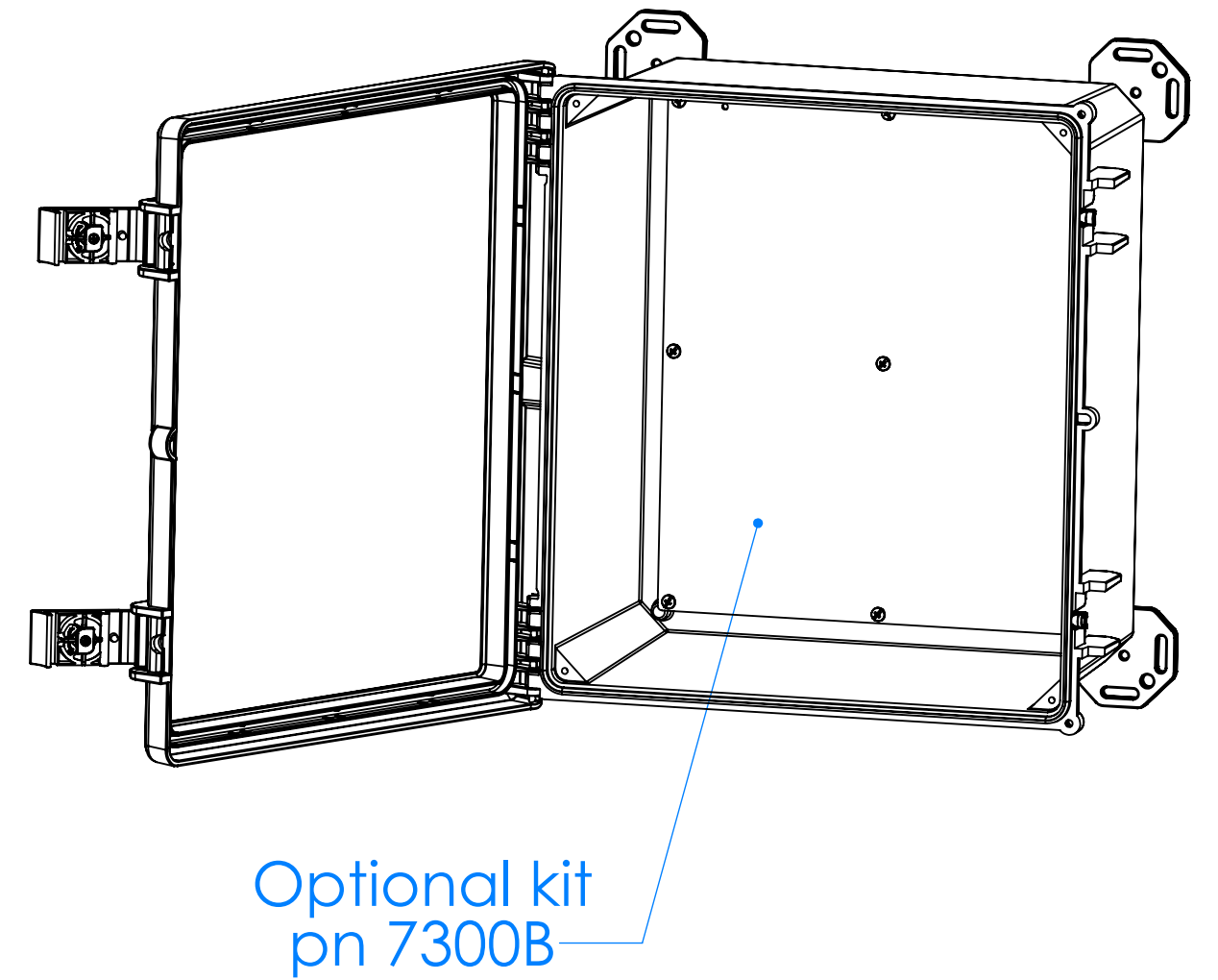
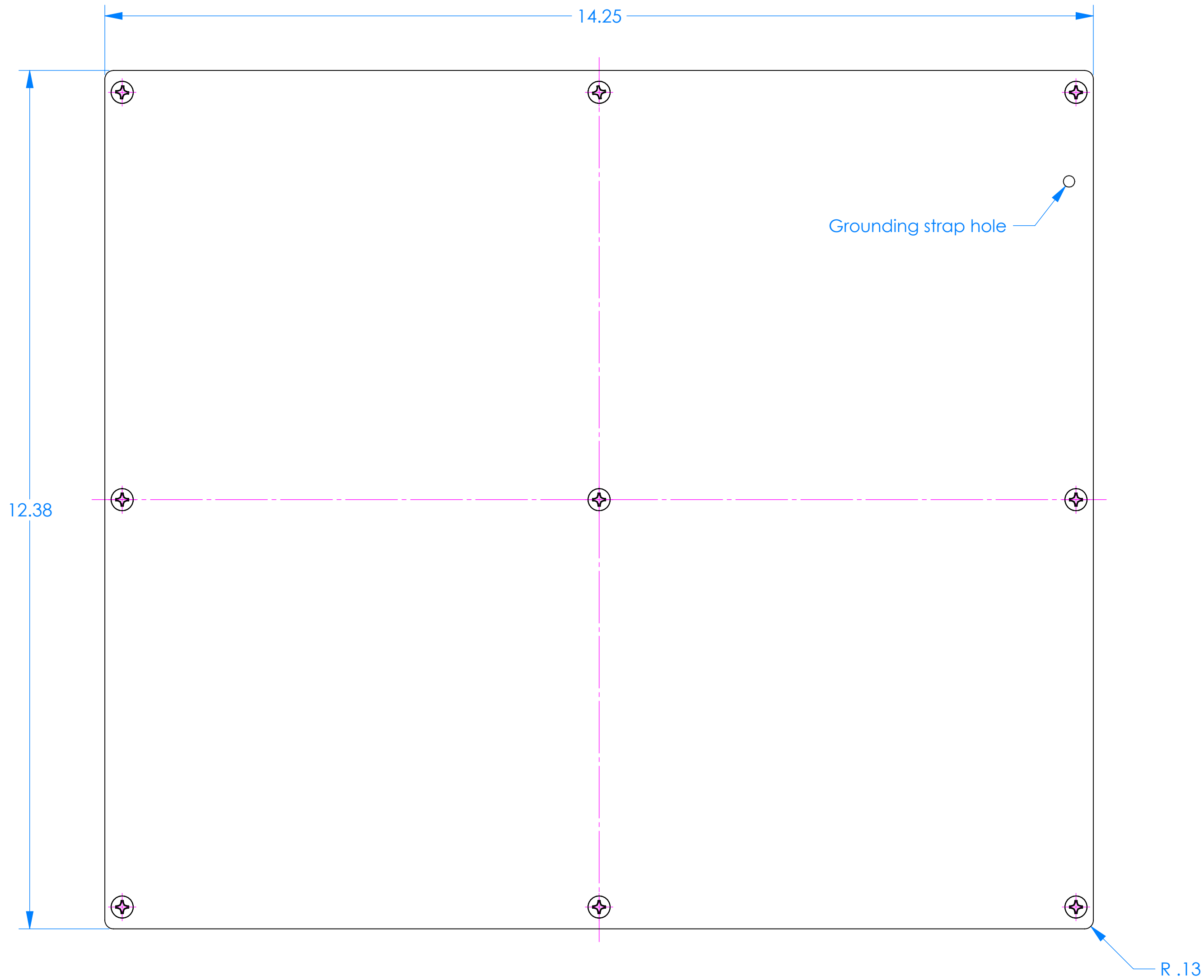
SERPAC 73040 AP-1 Top Alum Panel for I632HL

Electronic Enclosures

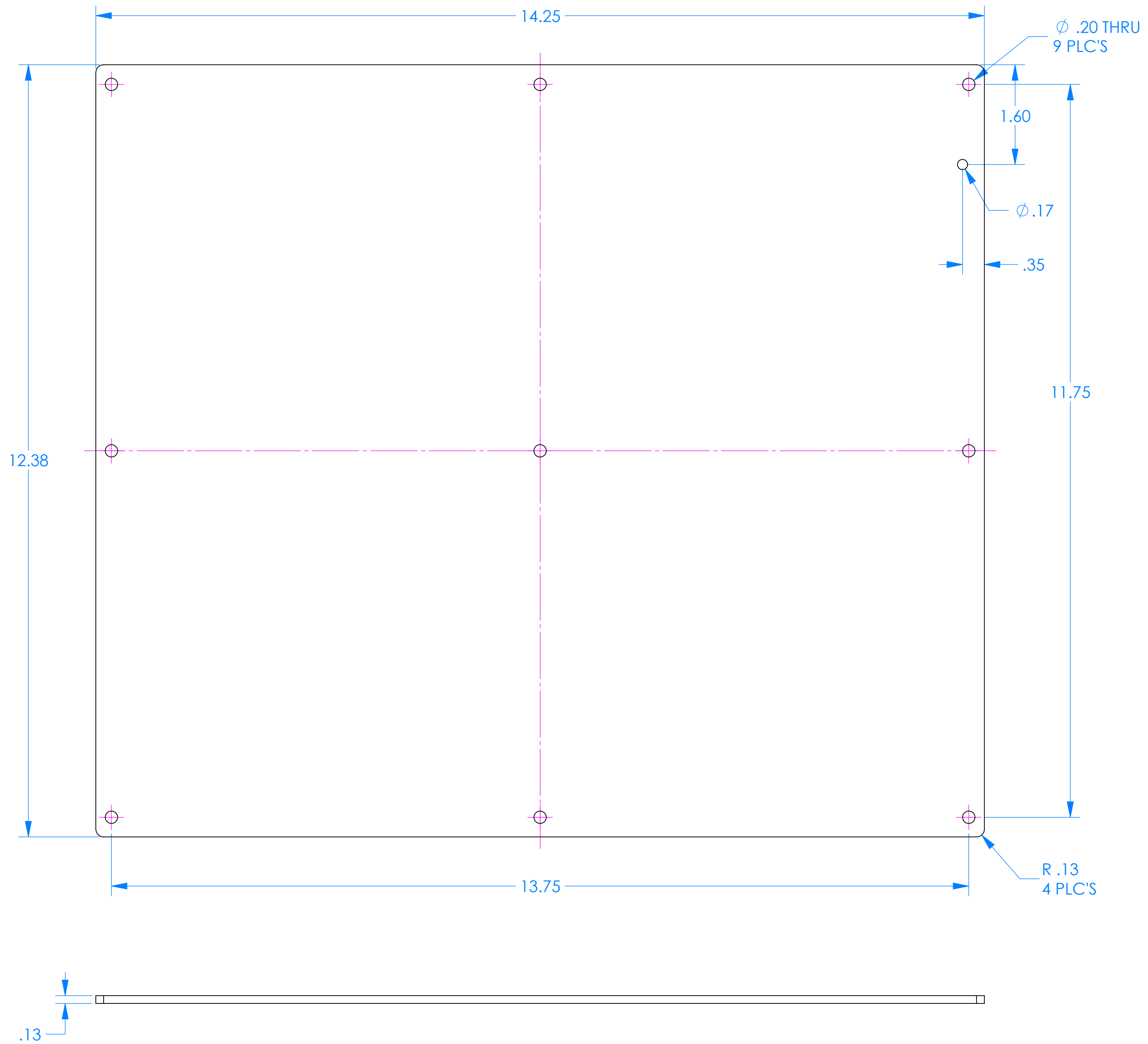


SERPAC 7300B Bottom Panel Kit for I632HL

Electronic Enclosures

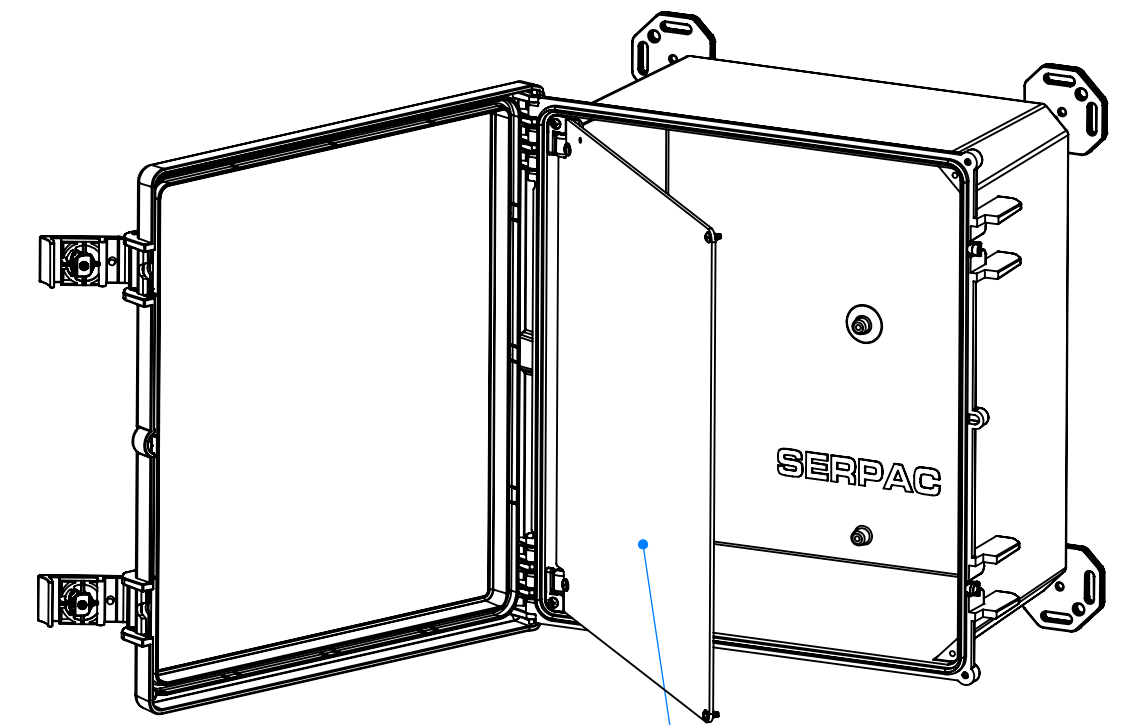
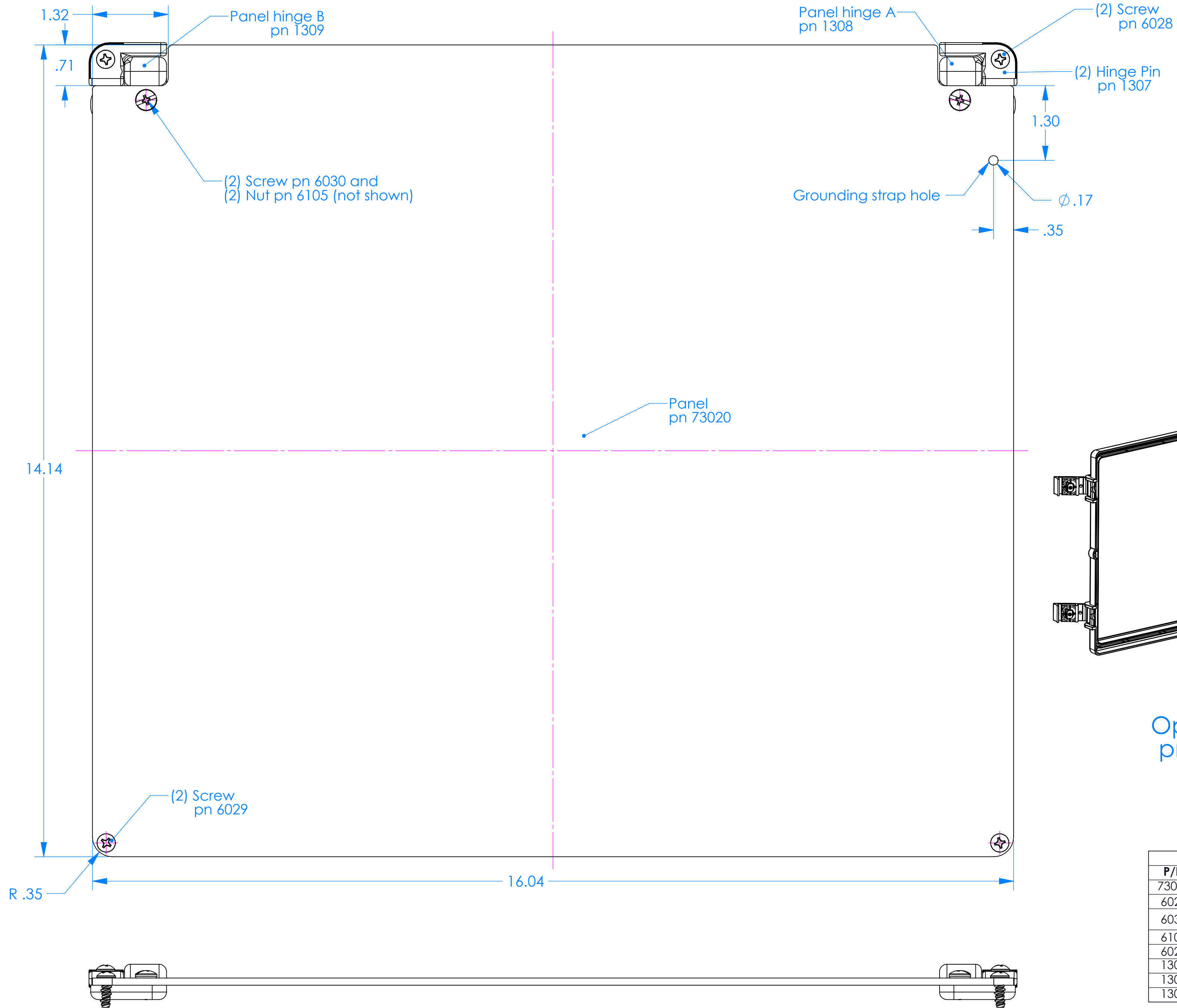


Parts Included in kit number 7300B		
P/N	Qty.	Description
73000	1	Bottom Aluminum Panel
6029	9	SS #10 X 3/8" Pan HL Screw



SERPAC 7300TH Hinged Top Panel Kit for I632HL

Electronic Enclosures



Optional kit
pn 7300TH

Parts Included in kit number 7300TH		
P/N	Qty.	Description
73020	1	Hinged Top Aluminum Panel
6029	2	SS #10 X 3/8" Pan HL Screw
6030	2	SS #10 X 3/8" Pan Combo H/L Screw
6105	2	SS #10-32 X1/8" Nut
6028	2	SS #10 X 5/8" PH HD H/L Screw
1307	2	Hinge Pin for Hinge Panel
1308	1	Hinge A for Hinge Panel
1309	1	Hinge B for Hinge Panel

SERPAC 73020 AP-2 Hinged Alum Panel for I632HL

Electronic Enclosures

