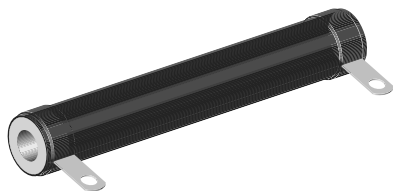




## Wirewound Resistors, Industrial Power, Tubular (HL), Non-Inductive Tubular (NHL)



### FEATURES

- High temperature silicon coating
- Complete welded construction
- Available in non-inductive styles (model NHL) with Ayrton-Perry winding
- Tight tolerance of 5 % for values above 1 W
- Excellent stability in operation (< 3 % change in resistance)
- Material categorization: for definitions of compliance please see [www.vishay.com/doc?99912](http://www.vishay.com/doc?99912)



RoHS\* Available

HALOGEN FREE Available

GREEN (5-2008) Available

### Note

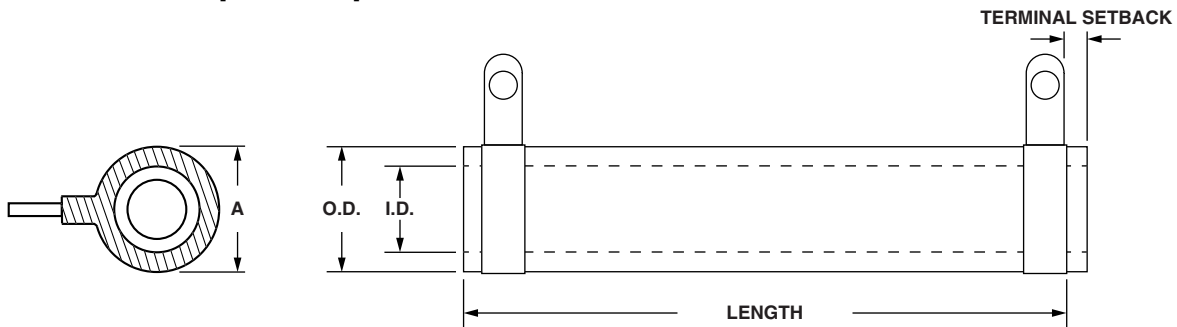
\* This datasheet provides information about parts that are RoHS-compliant and / or parts that are non-RoHS-compliant. For example, parts with lead (Pb) terminations are not RoHS-compliant. Please see the information / tables in this datasheet for details.

| STANDARD ELECTRICAL SPECIFICATIONS |                   |  |  |   |                       |
|------------------------------------|-------------------|--|--|---|-----------------------|
| GLOBAL MODEL                       | HISTORICAL MODEL  | POWER RATING<br>$P_{25^{\circ}\text{C}}$ W | RESISTANCE RANGE $\Omega$<br>$\pm 5\%$ | RESISTANCE RANGE $\Omega$<br>$\pm 10\%$ | WEIGHT (typical)<br>g |
| HL011<br>NHL011                    | HL-11<br>NHL-11   | 11   | 1.0 to 70K<br>1.0 to 4.7K              | 0.10 to 70K<br>1.0 to 4.7K              | 10.50                 |
| HL012<br>NHL012                    | HL-12<br>NHL-12   | 12   | 1.0 to 58K<br>1.0 to 3.9K              | 0.10 to 58K<br>1.0 to 3.9K              | 6.69                  |
| HL015<br>NHL015                    | HL-15<br>NHL-15   | 15   | 1.0 to 60K<br>1.0 to 4.3K              | 0.10 to 60K<br>1.0 to 4.3K              | 8.64                  |
| HL020<br>NHL020                    | HL-20<br>NHL-20   | 20   | 1.0 to 95K<br>1.0 to 6.8K              | 0.10 to 95K<br>1.0 to 6.8K              | 12.57                 |
| HL025<br>NHL025                    | HL-25<br>NHL-25   | 25   | 1.0 to 115K<br>1.0 to 8.8K             | 0.10 to 115K<br>1.0 to 8.8K             | 20.72                 |
| HL026<br>NHL026                    | HL-26<br>NHL-26   | 26   | 1.0 to 170K<br>1.0 to 11.8K            | 0.10 to 170K<br>1.0 to 11.8K            | 15.34                 |
| HL050<br>NHL050                    | HL-50<br>NHL-50   | 50   | 1.0 to 112K<br>1.0 to 21.5K            | 0.10 to 112K<br>1.0 to 21.5K            | 42.08                 |
| HL051<br>NHL051                    | HL-51<br>NHL-51   | 51   | 1.0 to 124K<br>1.0 to 22.9K            | 0.10 to 124K<br>1.0 to 22.9K            | 51.96                 |
| HL060<br>NHL060                    | HL-60<br>NHL-60   | 60   | 1.0 to 145K<br>1.0 to 27.2K            | 0.10 to 145K<br>1.0 to 27.2K            | 65.64                 |
| HL065<br>NHL065                    | HL-65<br>NHL-65   | 65   | 1.0 to 170K<br>1.0 to 31.4K            | 0.10 to 170K<br>1.0 to 31.4K            | 64.82                 |
| HL080<br>NHL080                    | HL-80<br>NHL-80   | 80   | 1.0 to 190K<br>1.0 to 38.3K            | 0.10 to 190K<br>1.0 to 38.3K            | 121.58                |
| HL100<br>NHL100                    | HL-100<br>NHL-100 | 100  | 1.0 to 260K<br>1.0 to 48.5K            | 0.10 to 260K<br>1.0 to 48.5K            | 91.37                 |
| HL120<br>NHL120                    | HL-120<br>NHL-120 | 120  | 1.0 to 330K<br>1.0 to 64.1K            | 0.10 to 330K<br>1.0 to 64.1K            | 183.82                |
| HL130<br>NHL130                    | HL-130<br>NHL-130 | 130  | 1.0 to 380K<br>1.0 to 70.2K            | 0.10 to 380K<br>1.0 to 70.2K            | 192.36                |
| HL160<br>NHL160                    | HL-160<br>NHL-160 | 160  | 1.0 to 470K<br>1.0 to 105K             | 0.10 to 470K<br>1.0 to 105K             | 245.86                |
| HL175<br>NHL175                    | HL-175<br>NHL-175 | 175  | 1.0 to 500K<br>1.0 to 112K             | 0.10 to 500K<br>1.0 to 112K             | 250.80                |
| HL225<br>NHL225                    | HL-225<br>NHL-225 | 225  | 1.0 to 645K<br>1.0 to 121K             | 0.10 to 645K<br>1.0 to 121K             | 309.97                |

| GLOBAL PART NUMBER INFORMATION   |  |  |  |   |   |   |   |   |   |   |   |   |   |   |   |  |  |
|--|--|--|--|---|---|---|---|---|---|---|---|---|---|---|---|--|--|
| Global Part Numbering example: NHL10006Z10R00JJ  |  |  |  |   |   |   |   |   |   |   |   |   |   |   |   |  |  |
| N  | H  | L  | 1  | 0   | 0   | 0   | 6 | Z | 1 | 0 | R | 0 | 0 | J | J |  |  |
| GLOBAL MODEL<br><b>NHL100</b><br>(see "Standard Electrical Specifications" table above for additional P/N's) | TERMINAL DESIGNATION<br><b>02</b><br><b>05</b><br><b>06</b><br><b>07</b><br><b>14</b><br><b>15</b> | TERMINAL FINISH<br><b>E</b> = lead (Pb)-free<br><b>Z</b> = tin / lead<br><b>N</b> = nickel | RESISTANCE VALUE<br><b>R</b> = decimal<br><b>K</b> = thousand<br><b>10R00</b> = 10.0 $\Omega$<br><b>1K000</b> = 1 k $\Omega$ | TOLERANCE<br><b>J</b> = $\pm 5.0\%$<br><b>K</b> = $\pm 10.0\%$<br><b>Note</b><br>(1) Tin / lead for type "Z", lead (Pb)-free for type "N" | PACKAGING CODE<br><b>E</b> = lead (Pb)-free skin pack<br><b>J</b> (1) = skin pack (J01) | SPECIAL<br>(dash number) (up to 2 digits) from <b>1 to 99</b> as applicable |   |   |   |   |   |   |   |   |   |  |  |
| Historical Part Numbering example: NHL-100-06Z 10 $\Omega$ 5 % J01   |  |  |  |   |   |   |   |   |   |   |   |   |   |   |   |  |  |
| <b>NHL-100</b>   | <b>06Z</b>   | <b>10 <math>\Omega</math></b>  | <b>5 %</b>   | <b>J01</b>  |   |   |   |   |   |   |   |   |   |   |   |  |  |
| HISTORICAL MODEL   | TERMINAL/FINISH  | RESISTANCE VALUE   | TOLERANCE  | PACKAGING   |   |   |   |   |   |   |   |   |   |   |   |  |  |



**DIMENSIONS** in inches [millimeters]



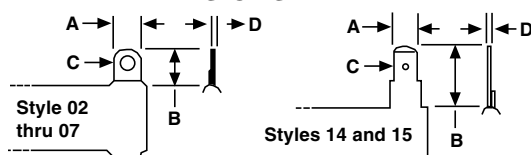
(Includes Coating and Terminal Band)

| GLOBAL MODEL | DIMENSIONS in inches [millimeters] |                         |         |                       |                                  |                                   |                      |          |                              |
|--------------|------------------------------------|-------------------------|---------|-----------------------|----------------------------------|-----------------------------------|----------------------|----------|------------------------------|
|              | A (MAX.)                           | CORE DIMENSIONS         |         |                       | TERMINAL SETBACK ± 0.31 [± 0.79] | DISTANCE BETWEEN TERMINALS (REF.) | TERMINAL DESIGNATION |          | BRACKET TYPES <sup>(1)</sup> |
|              |                                    | LENGTH ± 0.062 [± 1.59] | O.D.    | I.D. ± 0.031 [± 0.79] |                                  |                                   | STANDARD             | OPTIONAL |                              |
| HL011        | 0.469                              | 1.750                   | 0.375   | 0.188                 | 0.094                            | 1.187                             | 02                   | -        | 101, 204, 301                |
| NHL011       | [11.91]                            | [44.45]                 | [9.53]  | [4.76]                | [2.38]                           |                                   |                      |          |                              |
| HL012        | 0.406                              | 1.750                   | 0.313   | 0.188                 | 0.094                            | 1.187                             | 05                   | 14       | 101, 204, 301                |
| NHL012       | [10.32]                            | [44.45]                 | [7.94]  | [4.76]                | [2.38]                           |                                   |                      |          |                              |
| HL015        | 0.563                              | 1.500                   | 0.438   | 0.313                 | 0.094                            | 0.937                             | 02                   | 14       | 101, 203, 301                |
| NHL015       | [14.29]                            | [38.10]                 | [11.11] | [7.94]                | [2.38]                           |                                   |                      |          |                              |
| HL020        | 0.563                              | 2.000                   | 0.438   | 0.313                 | 0.094                            | 1.437                             | 02                   | 14       | 101, 203, 301                |
| NHL020       | [14.29]                            | [50.8]                  | [11.11] | [7.94]                | [2.38]                           |                                   |                      |          |                              |
| HL025        | 0.688                              | 2.000                   | 0.563   | 0.313                 | 0.094                            | 1.312                             | 06                   | 15       | 101, 203, 301                |
| NHL025       | [17.46]                            | [50.8]                  | [14.29] | [7.94]                | [2.38]                           |                                   |                      |          |                              |
| HL026        | 0.563                              | 3.000                   | 0.438   | 0.313                 | 0.094                            | 2.437                             | 02                   | 14       | 101, 203, 301                |
| NHL026       | [14.29]                            | [76.2]                  | [11.11] | [7.94]                | [2.38]                           |                                   |                      |          |                              |
| HL050        | 0.688                              | 4.000                   | 0.563   | 0.313                 | 0.094                            | 3.312                             | 06                   | 15       | 101, 203, 301                |
| NHL050       | [17.46]                            | [101.6]                 | [14.29] | [7.94]                | [2.38]                           |                                   |                      |          |                              |
| HL051        | 0.906                              | 3.500                   | 0.750   | 0.500                 | 0.125                            | 2.75                              | 06                   | 15       | 102, 206, 303                |
| NHL051       | [23.02]                            | [88.9]                  | [19.05] | [12.70]               | [3.18]                           |                                   |                      |          |                              |
| HL060        | 0.906                              | 4.000                   | 0.750   | 0.500                 | 0.125                            | 3.250                             | 06                   | 15       | 102, 206, 303                |
| NHL060       | [23.02]                            | [101.6]                 | [19.05] | [12.70]               | [3.18]                           |                                   |                      |          |                              |
| HL065        | 0.906                              | 4.500                   | 0.750   | 0.500                 | 0.125                            | 3.750                             | 06                   | 15       | 102, 206, 303                |
| NHL065       | [23.02]                            | [114.3]                 | [19.05] | [12.70]               | [3.18]                           |                                   |                      |          |                              |
| HL080        | 1.313                              | 4.000                   | 1.125   | 0.750                 | 0.219                            | 2.812                             | 07                   | 15       | 103, 205, 303                |
| NHL080       | [33.34]                            | [101.6]                 | [28.58] | [19.05]               | [5.56]                           |                                   |                      |          |                              |
| HL100        | 0.906                              | 6.500                   | 0.750   | 0.500                 | 0.125                            | 5.750                             | 06                   | 15       | 102, 206, 303                |
| NHL100       | [23.02]                            | [165.1]                 | [19.05] | [12.70]               | [3.18]                           |                                   |                      |          |                              |
| HL120        | 1.313                              | 6.000                   | 1.125   | 0.750                 | 0.219                            | 4.812                             | 07                   | 15       | 103, 205, 303                |
| NHL120       | [33.34]                            | [152.4]                 | [28.58] | [19.05]               | [5.56]                           |                                   |                      |          |                              |
| HL130        | 1.313                              | 6.500                   | 1.125   | 0.750                 | 0.219                            | 5.312                             | 07                   | 15       | 103, 205, 303                |
| NHL130       | [33.34]                            | [165.1]                 | [28.58] | [19.05]               | [5.56]                           |                                   |                      |          |                              |
| HL160        | 1.313                              | 8.000                   | 1.125   | 0.750                 | 0.219                            | 6.812                             | 07                   | 15       | 103, 205, 303                |
| NHL160       | [33.34]                            | [203.2]                 | [28.58] | [19.05]               | [5.56]                           |                                   |                      |          |                              |
| HL175        | 1.313                              | 8.500                   | 1.125   | 0.750                 | 0.219                            | 7.312                             | 07                   | 15       | 103, 205, 303                |
| NHL175       | [33.34]                            | [215.9]                 | [28.58] | [19.05]               | [5.56]                           |                                   |                      |          |                              |
| HL225        | 1.313                              | 10.500                  | 1.125   | 0.750                 | 0.219                            | 9.312                             | 07                   | 15       | 103, 205, 303                |
| NHL225       | [33.34]                            | [266.7]                 | [28.58] | [19.05]               | [5.56]                           |                                   |                      |          |                              |

**Note**

<sup>(1)</sup> Brackets are available for mounting HL series resistors - see Mounting Hardware section.

**TERMINAL DIMENSIONS**



| DIMENSION | TERMINAL STYLE   |                  |                  |                  |                  |                  |
|-----------|------------------|------------------|------------------|------------------|------------------|------------------|
|           | 02               | 05               | 06               | 07               | 14               | 15               |
| A         | 0.188<br>[4.76]  | 0.188<br>[4.76]  | 0.250<br>[6.35]  | 0.375<br>[9.53]  | 0.188<br>[4.76]  | 0.250<br>[6.35]  |
| B         | 0.406<br>[10.32] | 0.438<br>[11.11] | 0.563<br>[14.29] | 0.625<br>[15.88] | 0.563<br>[14.29] | 0.594<br>[15.08] |
| C         | 0.093<br>[2.36]  | 0.104<br>[2.64]  | 0.166<br>[4.22]  | 0.173<br>[4.39]  | 0.050<br>[1.27]  | 0.065<br>[1.65]  |
| D         | 0.020<br>[0.51]  | 0.020<br>[0.51]  | 0.020<br>[0.51]  | 0.020<br>[0.51]  | 0.020<br>[0.51]  | 0.031<br>[0.79]  |

**TERMINAL FINISH**

“E” Finish - 100 % Sn coated steel. “Z” Finish - 60/40 SnPb coated steel. “N” Finish - Nickel coated steel. Finish for terminal style 14 and 15 limited to nickel plated steel (N).



**MOUNTING HARDWARE**

Mounting hardware is available for HL resistors, see HL Brackets and Sliders datasheet for more information: [www.vishay.com/doc?30279](http://www.vishay.com/doc?30279)

| TECHNICAL SPECIFICATIONS        |                 |  |
|---------------------------------|-----------------|--|
| PARAMETER                       | UNIT            | HL, NHL RESISTOR CHARACTERISTICS   |
| Temperature Coefficient         | ppm/°C          | ± 30 for 10 Ω and above; ± 50 for 1 Ω to 9.9 Ω; ± 90 for 0.1 Ω to 0.99 Ω |
| Short Time Overload             | -               | 10 x rated power for 5 s   |
| Dielectric Withstanding Voltage | V <sub>AC</sub> | 1000, from terminal to mounting hardware                                 |
| Maximum Working Voltage         | V               | $(P \times R)^{1/2}$   |
| Insulation Resistance           | Ω               | 1000 MΩ minimum dry, 100 MΩ minimum after moisture test                  |
| Operating Temperature Range     | °C              | -55 to +350  |

**MATERIAL SPECIFICATIONS**

**Element:** copper-nickel alloy of nickel-chrome alloy, depending on resistance value

**Core:** ceramic, steatite

**Coating:** special high temperature silicone

**Standard Terminals:** model “E” terminals are tinned steel

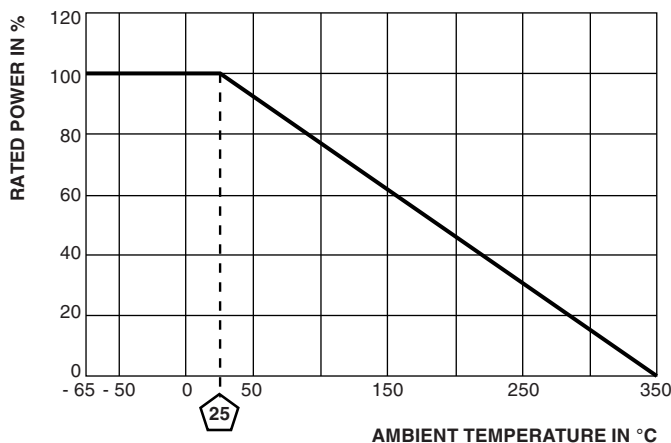
**Terminal Bands:** steel

**Part Marking:** Vishay Dale, model, wattage, value, tolerance, date code

**NHL NON-INDUCTIVE**

Models of equivalent physical and electrical specifications are available with non-inductive (Ayrton-Perry) winding. They are identified by adding the letter N to the front of the HL type designation (NHL225 for example). For NHL models maximum resistance values are lower, see Standard Electrical Specifications table.

**DERATING**



| PERFORMANCE                     |  |                       |
|---------------------------------|--|-----------------------|
| TEST                            | CONDITIONS OF TEST   | TEST LIMITS           |
| Thermal Shock                   | Rated power applied until thermally stable, then a minimum of 15 min at -55 °C | ± (2.0 % + 0.05 Ω) ΔR |
| Short Time Overload             | 10x rated power for 5 s  | ± (2.0 % + 0.05 Ω) ΔR |
| Dielectric Withstanding Voltage | 1000 V <sub>RMS</sub> for 1 min  | ± (0.1 % + 0.05 Ω) ΔR |
| Low Temperature Storage         | -55 °C for 24 h  | ± (2.0 % + 0.05 Ω) ΔR |
| High Temperature Exposure       | 250 h at + 350 °C  | ± (2.0 % + 0.05 Ω) ΔR |
| Humidity                        | 75 °C, 90 % to 100 % RH, 240 h   | ± (5.0 % + 0.05 Ω) ΔR |
| Load Life                       | 1000 h at rated power, + 25 °C, 1.5 h “ON”, 0.5 h “OFF”                        | ± (3.0 % + 0.05 Ω) ΔR |
| Moisture Resistance             | MIL-STD-202 Method 106, 7b not applicable                                      | ± (2.0 % + 0.05 Ω) ΔR |
| Shock, Specified Pulse          | MIL-STD-202 Method 213, 100 g's for 6 ms, 10 shocks                            | ± (0.2 % + 0.05 Ω) ΔR |
| Vibration, High Frequency       | Frequency varied 10 Hz to 2000 Hz, 20 g peak, 2 directions 6 h each            | ± (0.2 % + 0.05 Ω) ΔR |



## **Disclaimer**

ALL PRODUCT, PRODUCT SPECIFICATIONS AND DATA ARE SUBJECT TO CHANGE WITHOUT NOTICE TO IMPROVE RELIABILITY, FUNCTION OR DESIGN OR OTHERWISE.

Vishay Intertechnology, Inc., its affiliates, agents, and employees, and all persons acting on its or their behalf (collectively, "Vishay"), disclaim any and all liability for any errors, inaccuracies or incompleteness contained in any datasheet or in any other disclosure relating to any product.

Vishay makes no warranty, representation or guarantee regarding the suitability of the products for any particular purpose or the continuing production of any product. To the maximum extent permitted by applicable law, Vishay disclaims (i) any and all liability arising out of the application or use of any product, (ii) any and all liability, including without limitation special, consequential or incidental damages, and (iii) any and all implied warranties, including warranties of fitness for particular purpose, non-infringement and merchantability.

Statements regarding the suitability of products for certain types of applications are based on Vishay's knowledge of typical requirements that are often placed on Vishay products in generic applications. Such statements are not binding statements about the suitability of products for a particular application. It is the customer's responsibility to validate that a particular product with the properties described in the product specification is suitable for use in a particular application. Parameters provided in datasheets and / or specifications may vary in different applications and performance may vary over time. All operating parameters, including typical parameters, must be validated for each customer application by the customer's technical experts. Product specifications do not expand or otherwise modify Vishay's terms and conditions of purchase, including but not limited to the warranty expressed therein.

Except as expressly indicated in writing, Vishay products are not designed for use in medical, life-saving, or life-sustaining applications or for any other application in which the failure of the Vishay product could result in personal injury or death. Customers using or selling Vishay products not expressly indicated for use in such applications do so at their own risk. Please contact authorized Vishay personnel to obtain written terms and conditions regarding products designed for such applications.

No license, express or implied, by estoppel or otherwise, to any intellectual property rights is granted by this document or by any conduct of Vishay. Product names and markings noted herein may be trademarks of their respective owners.