

# CGB2A3X6S0J474M033BB

TDK Item Description : CGB2A3X6S0J474MT\*\*\*\*

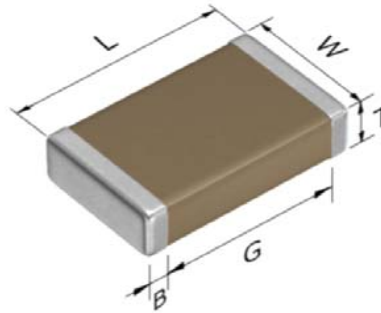


## Application & Main Feature

Commercial Grade ( Low Profile )

## Series

CGB2(1005) [EIA CC0402]



## Dimensions

L 1.00mm +/-0.05mm  
 W 0.50mm +/-0.05mm  
 T 0.30mm +/-0.03mm  
 B 0.10mm Min.  
 G 0.30mm Min.

## Temperature Characteristic

X6S (-55 to 105 degC +/-22%)

## Rated Voltage

0J (6.3Vdc)

## Capacitance

470nF

## Capacitance Tolerance

M (+/-20%)

## Dissipation Factor

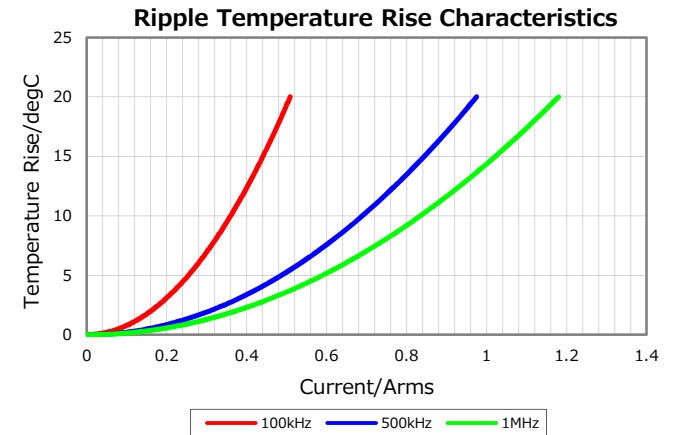
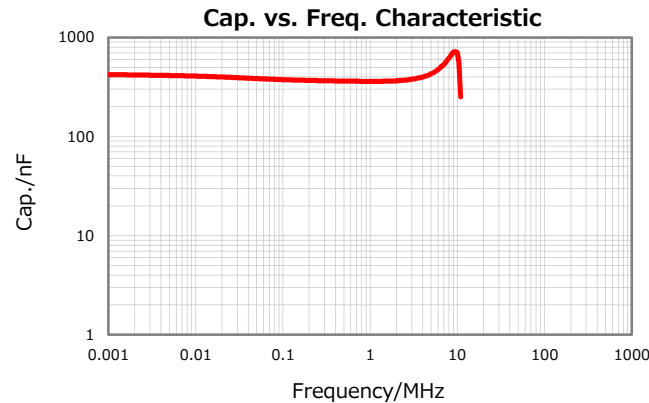
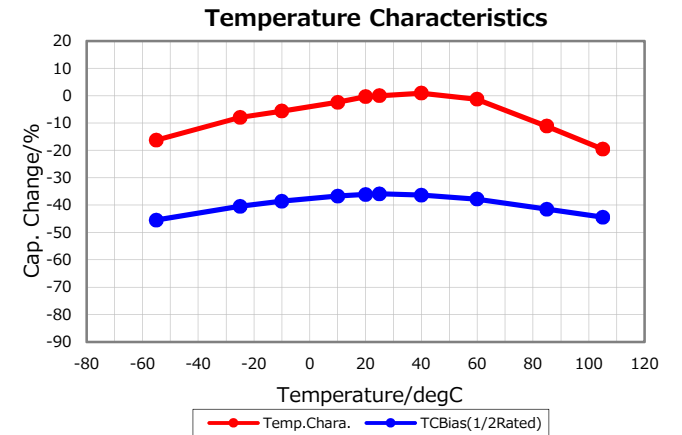
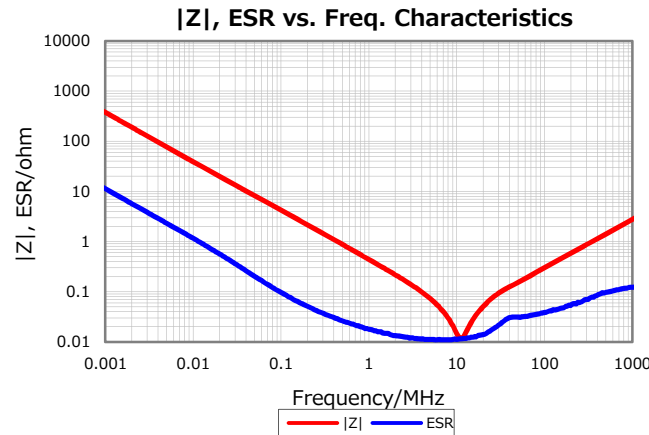
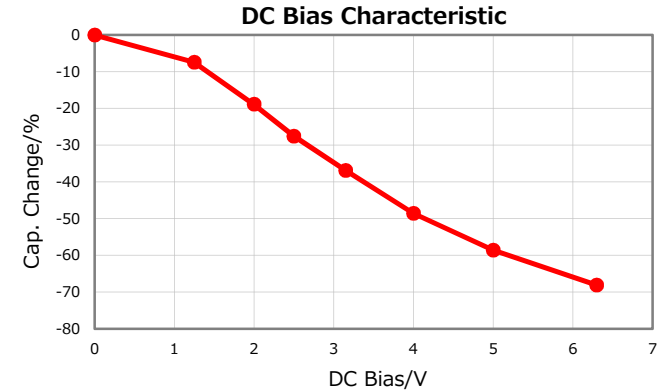
10% Max.

## Insulation Resistance

212Mohm Min.

## AEC-Q200

Not Applicable



Characterization Sheet ( Multilayer Ceramic Chip Capacitors )



All specifications are subject to change without notice.

November 26, 2018