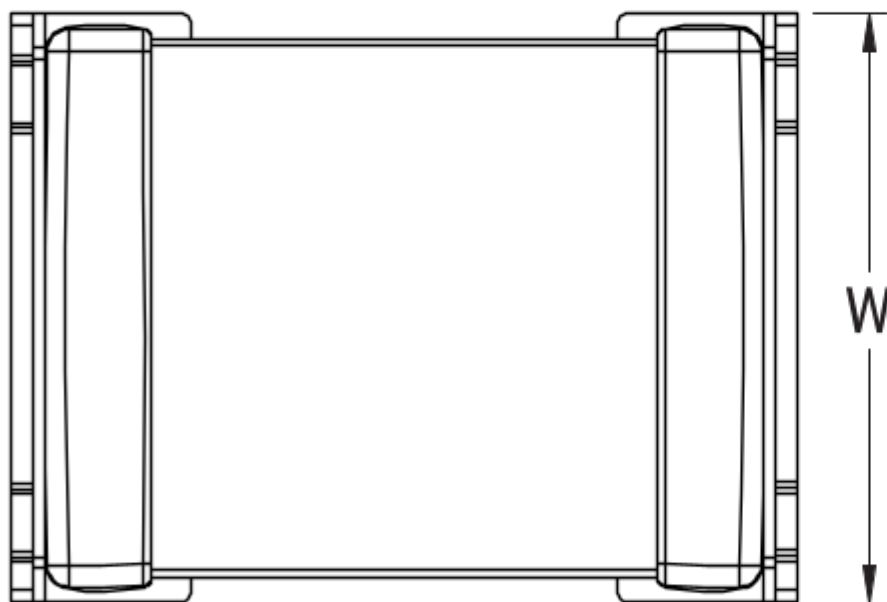


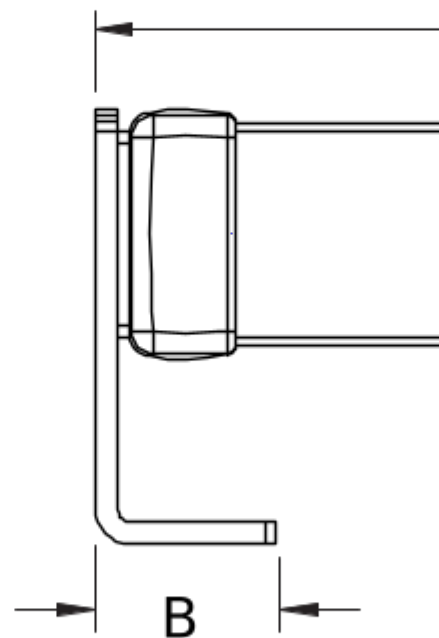
C1210C105K5R1CAUTO

KPS SMD Auto X7R, Ceramic, 1 uF, 10%, 50 VDC, X7R, 1210-1

TOP VIEW
Single or Double Chip Stack



PROFILE
Single



Click [here](#) for the 3D model.

Dimensions

L 3.5mm +/-0.3mm

W 2.6mm +/-0.3mm

T 3.35mm +/-0.10mm

B 0.8mm +/-0.15mm

Packaging Specifications

Packaging T&R, 180mm, Plastic Tape

Packaging Quantity 600

General Information

Series KPS SMD Auto X7R
Style Stacked Chip
Description SMD, MLCC, Stacked, Single Chip, Class II, Automotive Grade
Features Automotive Grade
RoHS Yes
Termination Tin
Qualifications AEC-Q200
AEC-Q200 Yes
Component Weight 160 mg
Chip Size 1210-1
Shelf Life 78 Weeks
MSL 1

Specifications

Capacitance 1 uF
Measurement Condition 1 kHz 1.0Vrms
Capacitance Tolerance 10%
Voltage DC 50 VDC
Dielectric Withstanding Voltage 125 VDC
Temperature Range -55/+125°C
Temperature Coefficient X7R
Capacitance Change with Reference to +25°C and 0 VDC Applied (TCC) 15%, 1kHz 1.0Vrms
Dissipation Factor 2.5% 1 kHz 1.0Vrms
Aging Rate 3% Loss/Decade Hour: Referee Time is 1000 Hours
Insulation Resistance 500 MOhms

Statements of suitability for certain applications are based on our knowledge of typical operating conditions for such applications, but are not intended to constitute - and we specifically disclaim - any warranty concerning suitability for a specific customer application or use. This Information is intended for use only by customers who have the requisite experience and capability to determine the correct products for their application. Any technical advice inferred from this Information or otherwise provided by us with reference to the use of our products is given gratis, and we assume no obligation or liability for the advice given or results obtained.

Generated 5/18/2023 - 68992687-a484-4c4c-9578-04da4c3e54b0

© 2006 - 2023 KEMET

Generated 5/18/2023 - 68992687-a484-4c4c-9578-04da4c3e54b0

© 2006 - 2023 KEMET