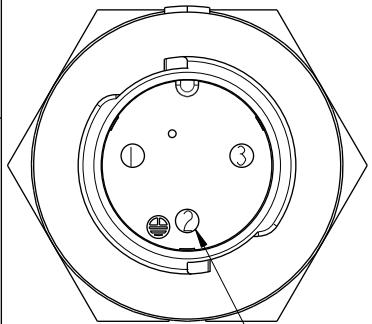
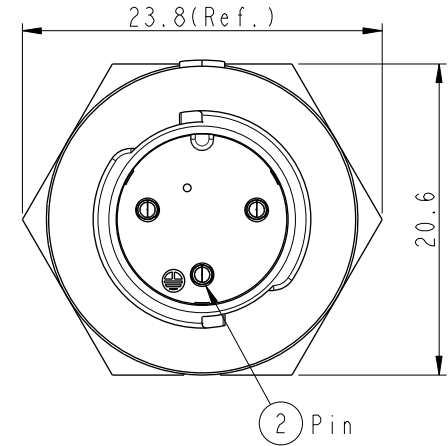
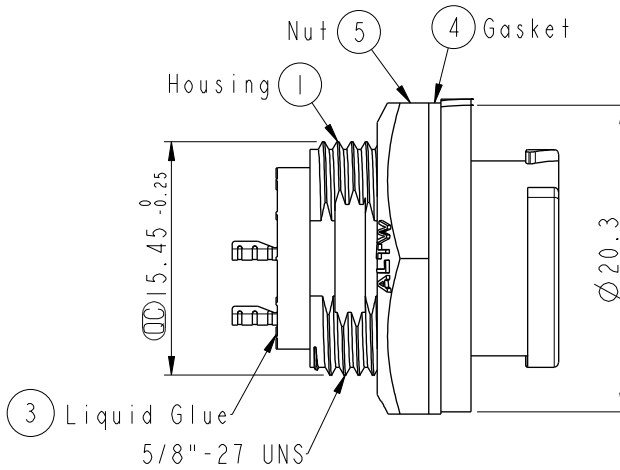
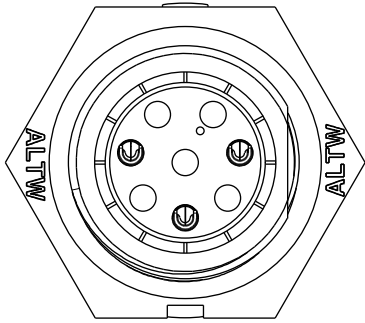
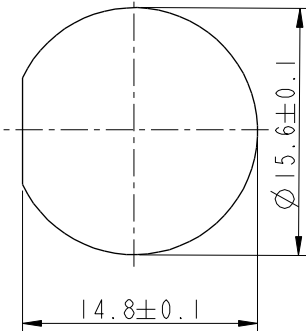


ALTW  
CONFIDENTIAL  
2019-03-18  
R&D DEPT.

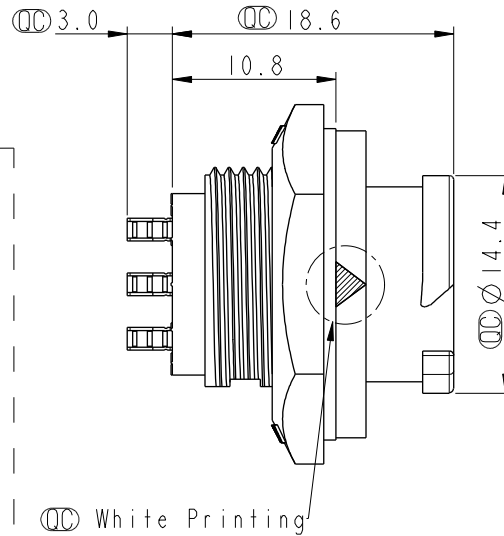
REV.	ECN NO.	DATE	SIGN	DESCRIPTION
B	C190411	2019/03/18	Vicky	Change Note



Pin Assignments  
Front View

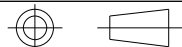


Recommended Panel Cut-out



- Note:
- \*  $\text{CC}$  Important Dimension To Check.
  - \* Waterproof Rate: IP68, Unmated.  
In 1 meter water within 24 hours
  - \* Housing: Thermoplastic, Black.
  - \* Pin: Copper Alloy, Gold Plated.
  - \* Nut: Thermoplastic, Black.
  - \* Gasket: Rubber, Gray.
  - \* Panel Thickness Max: 4.5mm
  - \* Gasket and Nut are packed separately in PE bags.

UNIT:mm



TITLE  
X Lok B-Size Receptacle  
Rear Fastened M Conn M 3 Pin

Amphenol LTW

ITEM NO  
BD-03RMMS-QC800P

DRAWN BY  
Vicky

DATE  
2019-03-18

TOLERANCE  
.X ±0.25

SCALE  
2:1

SIZE  
A4

SHEET  
1 OF 1

安費諾亮泰企業股份有限公司

DWG NO  
BD-03RMMS-QC800P

CHECKED BY  
Rita

DATE  
2019-03-18

REV.  
B

WC-REV.  
A.4

$\text{CC}$ : Inspection item

CUSTOMER  
ALTW

APPROVED BY  
Max

DATE  
2019-03-18

THIS DOCUMENT IS SUBJECT TO CHANGE WITHOUT NOTICE. IT IS CONFIDENTIAL AND A PROPERTY OF Amphenol LTW. DISCLOSURE TO THIRD PARTY HAS TO BE AUTHORIZED BY Amphenol LTW.