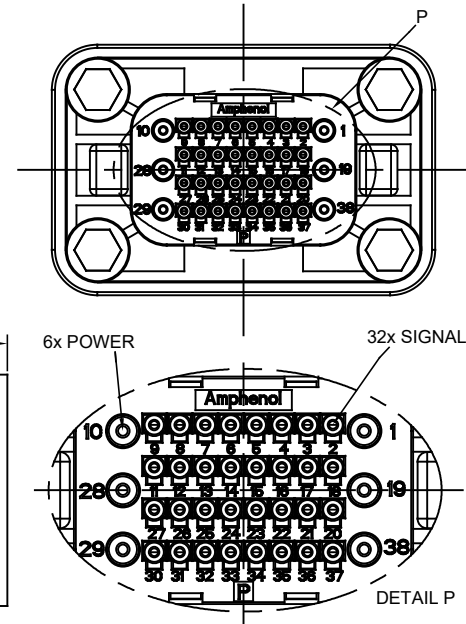


| REVISIONS |     |                  |             |        |       |
|-----------|-----|------------------|-------------|--------|-------|
| REV       | ECO | DESCRIPTION      | DATE        | BY     | APPR  |
| A1        | -   | RELEASED DRAWING | Jul-30-2019 | Flan   | Tommy |
| A2        | -   | UPDATE DRAWING   | Aug-9-2019  | Flan   | Tommy |
| A3        | -   | UPDATE DRAWING   | Oct-15-2019 | Flan   | Tommy |
| A4        | -   | UPDATE DRAWING   | Nov-12-2019 | Flan   | Tommy |
| A5        | -   | UPDATE DRAWING   | Jun-29-2020 | Ronald | Tommy |

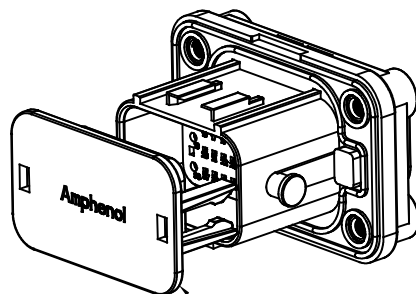


NOTES: (UNLESS OTHERWISE SPECIFIED)

- MATERIAL:
  - SHELL: THERMOPLASTIC, UL94 V-0, GRAY.
  - CONTACT LOCATING COVER: THERMOPLASTIC, UL94 V-0, GREEN.
  - GASKET: SILICONE RUBBER, RED.
  - WIRE SEAL: SILICONE RUBBER.
  - END CAP: THERMOPLASTIC, UL94 V-0, GRAY.
- SPECIFICATIONS:
  - RATED CURRENT:
    - POWER: 13A (MAX).
    - SIGNAL: 5A (MAX).
  - RATED VOLTAGE (CLASS OF POLLUTION II): 250V (AC/DC).
  - OPERATING TEMPERATURE: -40°C ~ +125°C.
  - DIELECTRIC WITHSTANDING VOLTAGE: LESS THAN 2 MILLIAMPS CURRENT LEAKAGE @2000 VOLTS AC.
  - INSULATION RESISTANCE: 500 MEGOHMS MIN.
  - IP-CLASS: IP67 (MATED CONDITION).
  - MATING CYCLES DURABILITY: 500 CYCLES.
  - RoHS COMPLIANT.
- ALL DIMENSIONS ARE FOR REFERENCE USE ONLY.
- PART NUMBER AND WIRE RANGE:

| PART NUMBER   | SIGNAL (WIRE&OD RANGE) | POWER (WIRE&OD RANGE) | WIRE SEAL COLOR |
|---------------|------------------------|-----------------------|-----------------|
| ATV04-38P*-S1 | Ø1.2~1.5mm(22AWG)      | Ø1.6~2.8mm (22~14AWG) | GREEN           |
| ATV04-38P*-S2 | Ø1.5~1.8mm(20AWG)      |                       | RED             |

\*\*\*DENOTES KEY WAY. CONTACT SIZE: SIGNAL SC000571x; POWER SP20M1x, SP16M1x, SP14M1x. RECOMMENDED TO CHOOSE HARD WIRE, SUCH AS FEP INSULATION AND XLPE INSULATION.



TABLE

| KEY POS | P     |
|---------|-------|
| A       | 17.50 |
| B       | 14.50 |
| C       | 11.50 |

| QUANTITY   | PART NUMBER | DESCRIPTION  | ITEM  |
|--|-------------|--|---|
| <b>MATERIALS LIST</b>  |             |  |   |
| UNLESS OTHERWISE SPECIFIED<br>1) All dimensions are in metric(mm)<br>2) Tolerances are as follows:<br>1 PL DEC ±0.30    1 Fractions ±1/64<br>2 PL DEC ±0.15    Angles ±1°<br>3 PL DEC ±0.08<br>3) Note reference = |             | SIGNATURES    DATE<br>DRAWN: Ronald    Jun-29-2020<br>CHECKED: Flan    Jun-30-2020<br>ENGINEER:<br>APPROVAL: Tommy    Jun-30-2020<br>CUSTOMER:   | <h1>Amphenol</h1><br>Sine Systems - www.amphenol-sine.com<br>44724 Morley Drive<br>Clinton Township, MI 48036 |
| MATERIAL SPECIFICATIONS:<br>PROCESS SPECIFICATIONS:<br>NEXT ASSY:  |             | THIS DRAWING IS SUPPLIED FOR INFORMATION ONLY. DESIGN FEATURES, SPECIFICATIONS AND PERFORMANCE DATA SHOWN HEREON ARE THE PROPERTY OF THE AMPHENOL CORPORATION. NO RIGHTS OF REPRODUCTION ARE IMPLIED. ALL DIMENSIONS ARE SUBJECT TO NORMAL MANUFACTURING VARIATIONS. |   |
|  |             | SIZE    TYPE    DWG NO.<br><b>B</b> <b>C-</b> <b>ATV04-38P*-Sx</b>   | REVISION<br><b>A5</b>   |
|  |             | SCALE: NONE  | SHEET 1 OF 1  |

TITLE: DURALOK ATV RECEPTACLE 38 POS PIN  
DWG NO: ATV04-38P\*-Sx  
REV: A5  
SHEET 1 OF 1