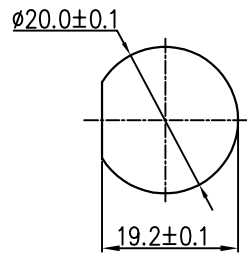
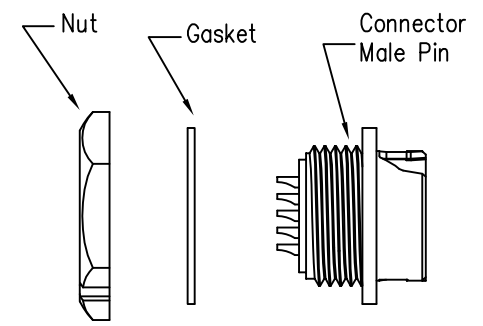
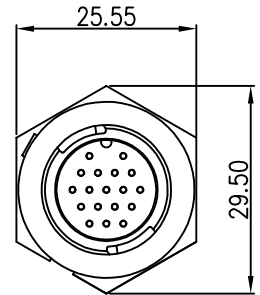
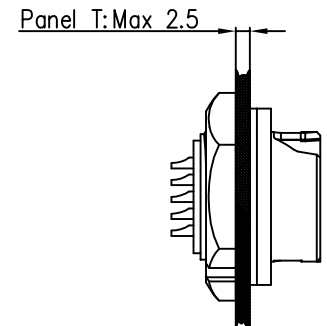
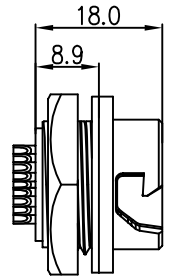


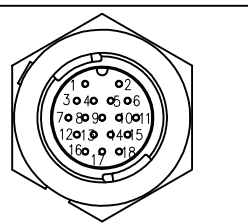
REV.	ECN NO.	DESCRIPTION	SIGN	DATE
C1	N/A	INITIAL DRAWING	Liu	2020/05/16



Recommended Panel Cut-Out



23XXX535-03
Pin Number



18 Pin

P/N: 23018535-03

Pin Assignments
Front View

Specification:

1. Operation Temperature: $-45^{\circ}\text{C} \sim 105^{\circ}\text{C}$.
2. Insulation Resistance: $100\text{M}\Omega$ at DC500V.
3. Contact Resistance: $<10\text{m}\Omega$.
4. Withstand Voltage: 1000V AC
5. Operating Current: 2A
6. Operating Voltage: DC 30V
7. Waterproof Rate: IP67 (Mated)
8. Housing: Nylon, Black
9. Male Pin: Copper Alloy, Gold Plated
10. Gasket: Silicon Gray
11. Panel Nut: Nylon, Orange
12. Torque Rate: $0.8 \sim 1.0\text{N} \cdot \text{m}$
13. RoHS Compliant.
14. Mating Cap P/N: 806-00103-00



UNIT:mm	DESCRIPTION	PART NO	DRAWN BY	DATE
	Middle Series Push Lock Rear Mount With Male Pin	23018535-03	Liu	2020/05/16
TOLERANCE .X ±0.25 .XX ±0.15 .XXX ±0.05 ANGLES ±1°	SCALE: 1:1 SHEET 1 OF 1	DWG NO	CHECKED BY	DATE
	REV. C1 SIZE A4 * : Inspection Item	CUSTOMER	Mo	2020/05/16
			APPROVED BY	DATE
			Adley	2020/05/16

THIS INFORMATION IS CONFIDENTIAL AND IS DISCLOSED TO YOU ON CONDITION THAT NO FURTHER DISCLOSURE IS MADE BY YOU TO OTHER THAN CHOGORI PERSONNEL WITHOUT AUTHORIZATION FROM CHOGORI CORP.