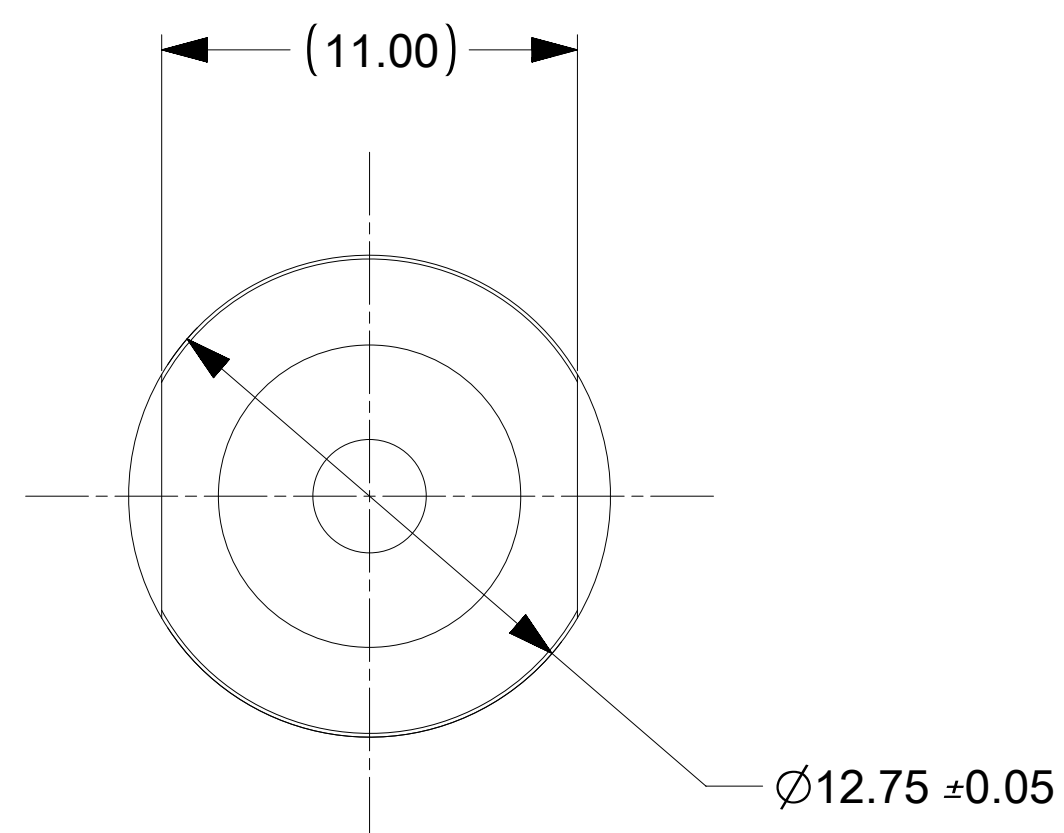
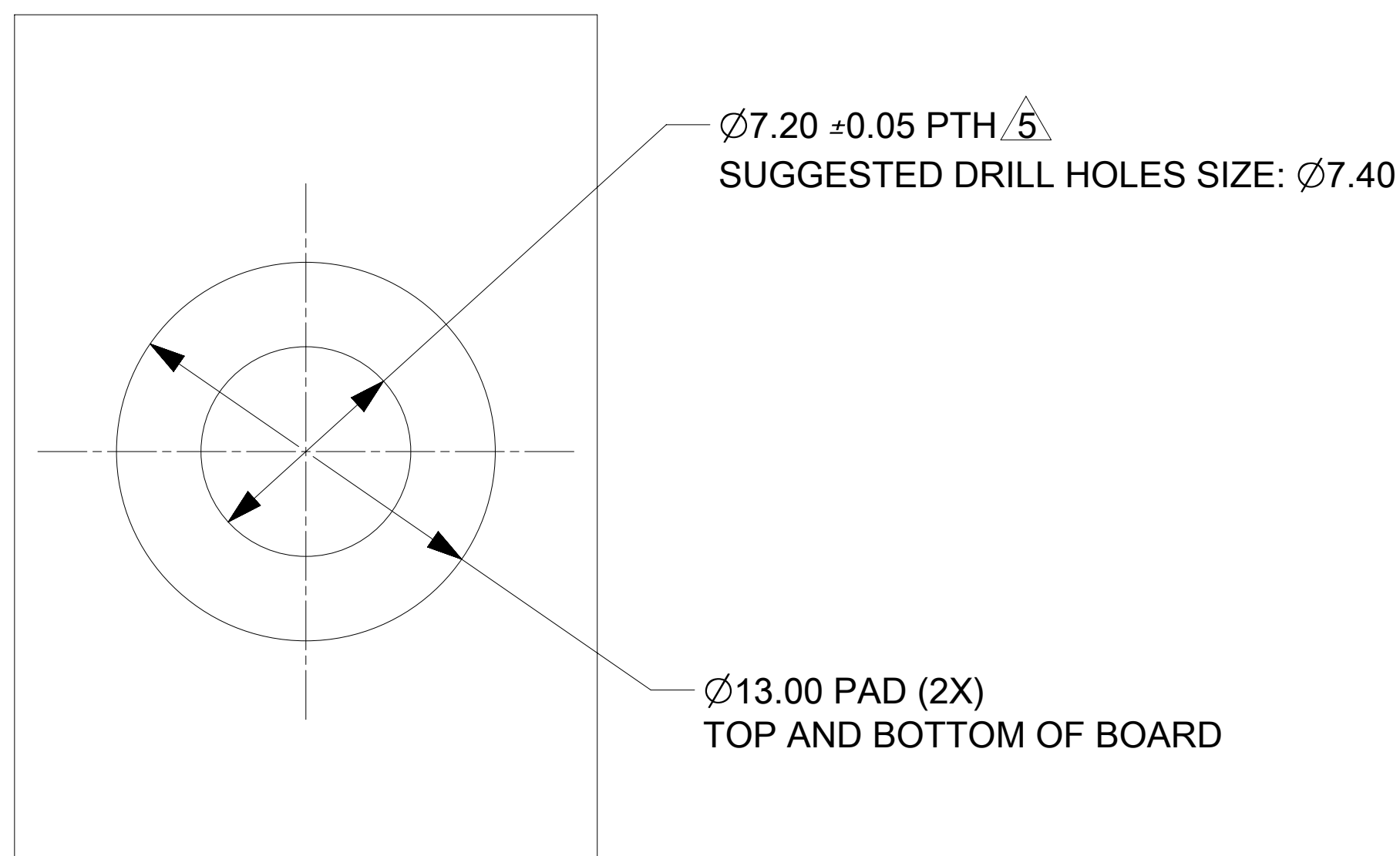


PART NUMBER	DIMENSION "L"
2032634085	45.65
2032634185	35.65
2032634285	20.65
2032634385	30.65
2032634485	29.15
2032634585	25.50
2032634685	43.65
2032634785	40.35
2032634885	16.65
2032634985	66.50
2032637085	85.65
2032637185	55.00
D1 2032637285	15.00



NOTES:

- MATERIALS:  
 BASE METAL: HIGH CONDUCTIVE COPPER ALLOY  
 PLATING ON BODY: 3.18 MICRON MIN SILVER OVER 1.27 MICRON MIN NICKEL
- PRODUCT SPECIFICATION: PS-204313-001
- APPLICATION SPECIFICATION: AS-204313-001
- PACKAGING SPECIFICATION: 2032630006-PK
- SILVER COMPONENTS WILL BE SUPPLIED TARNISH FREE BUT MAY TARNISH OVER TIME.
- PART TO BE MOUNTED WITH CONDUCTIVE M5x6mm SCREW AND CONDUCTIVE BELLEVILLE WASHER FOR OPTIMAL PERFORMANCE
- SCREW LENGTH TO BE DETERMINED BY CUSTOMER, SCREWS AND WASHERS ARE NOT SUPPLIED BY MOLEX.

THIS DRAWING CONTAINS INFORMATION THAT IS PROPRIETARY TO MOLEX ELECTRONIC TECHNOLOGIES, LLC AND SHOULD NOT BE USED WITHOUT WRITTEN PERMISSION					
DIMENSION UNITS <b>mm</b>	SCALE <b>5:1</b>	CURRENT REV DESC: ADDED PART NUMBER 203263-7285			
GENERAL TOLERANCES (UNLESS SPECIFIED)					
ANGULAR TOL	± 0.5°			CST 8MM SCREW MOUNTED MALE TERMINAL	
4 PLACES	±			PRODUCT CUSTOMER DRAWING	
3 PLACES	±			DOCUMENT NUMBER: 2032634185-SD	
2 PLACES	± 0.2			DOC TYPE: PSD	
1 PLACE	± 0.25	DOC PART: 000			
0 PLACES	±	REVISION: D1			
DRAFT WHERE APPLICABLE MUST REMAIN WITHIN DIMENSIONS	THIRD ANGLE PROJECTION	DRAWING <b>D-SIZE</b>	SHEET NUMBER <b>203263</b>		
SERIES MATERIAL NUMBER SEE TABLE		CUSTOMER GENERAL MARKET			
SHEET NUMBER 1 OF 1					

RECOMMENDED PCB LAYOUT