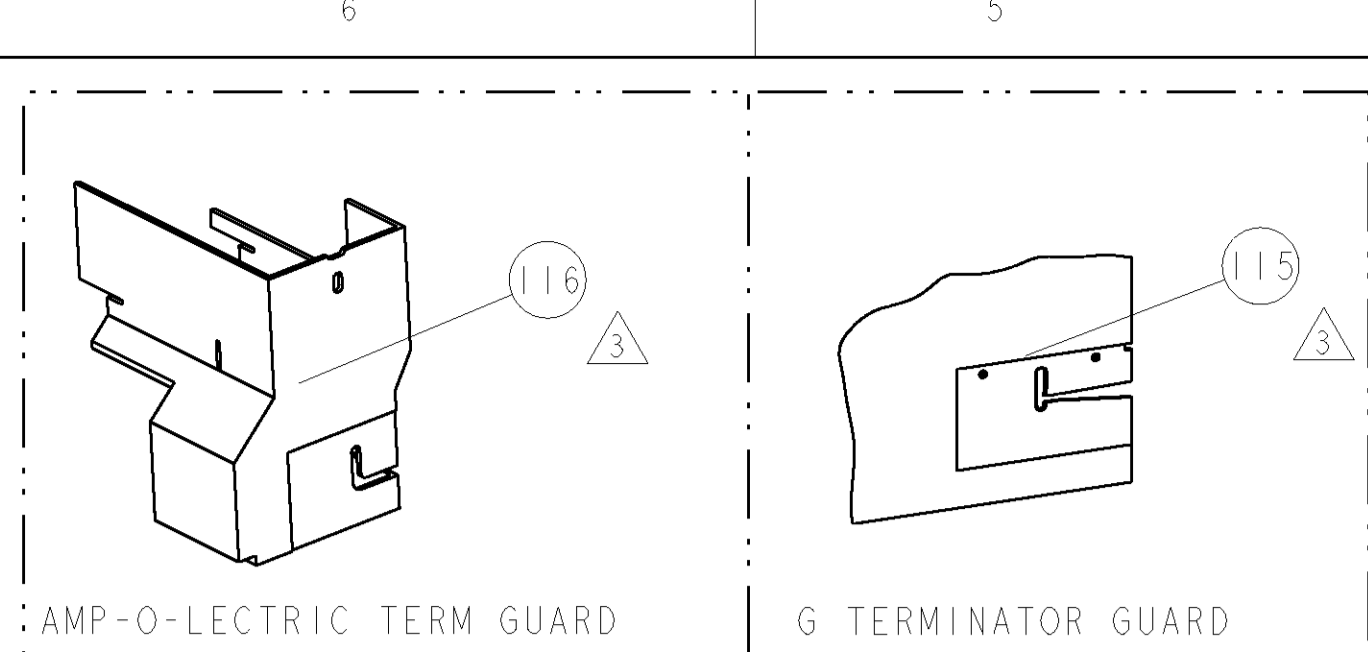
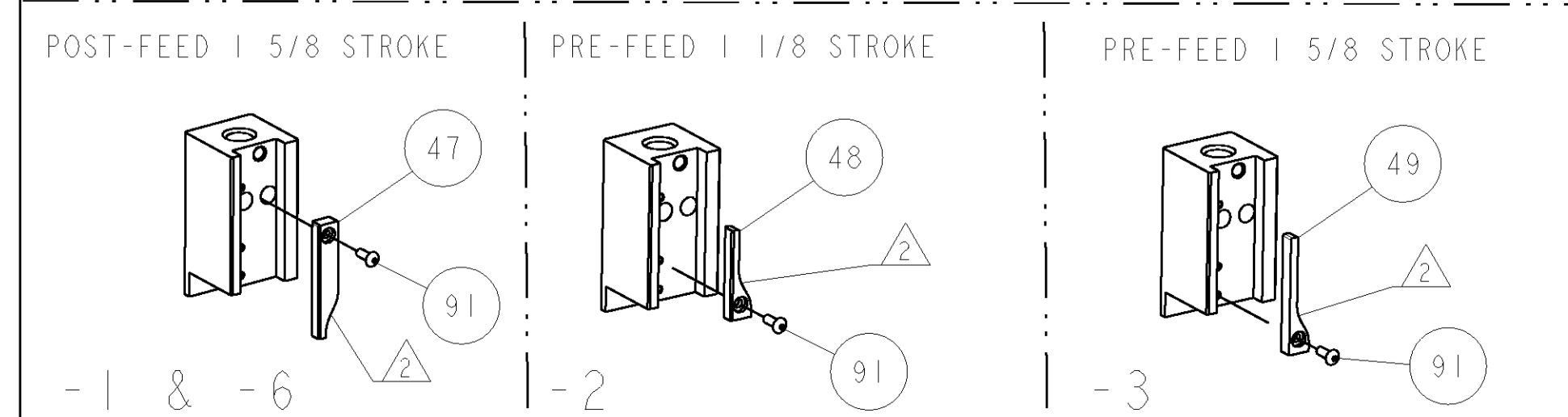
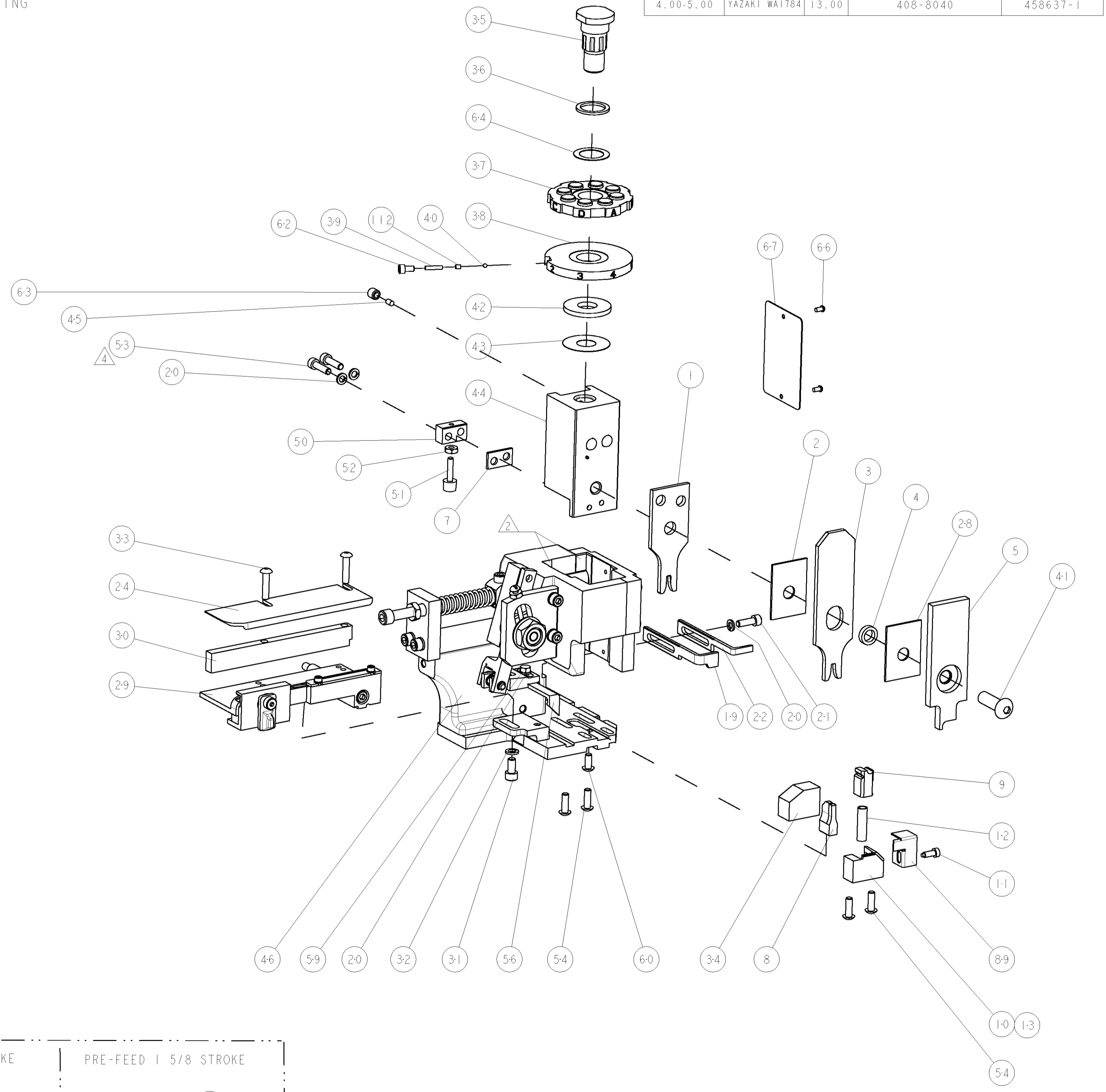
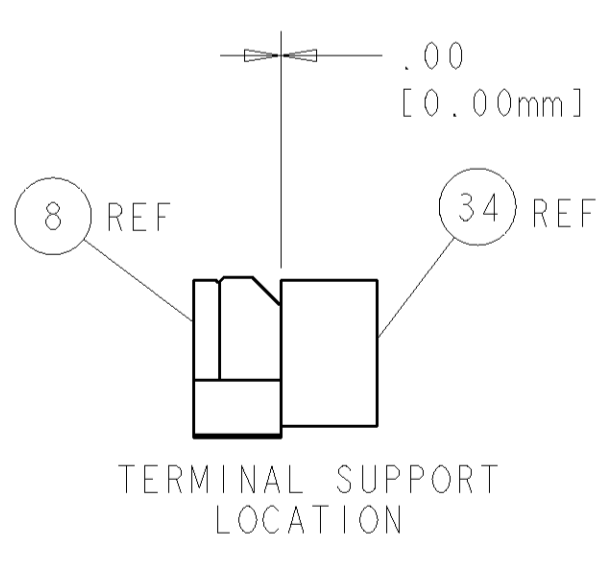
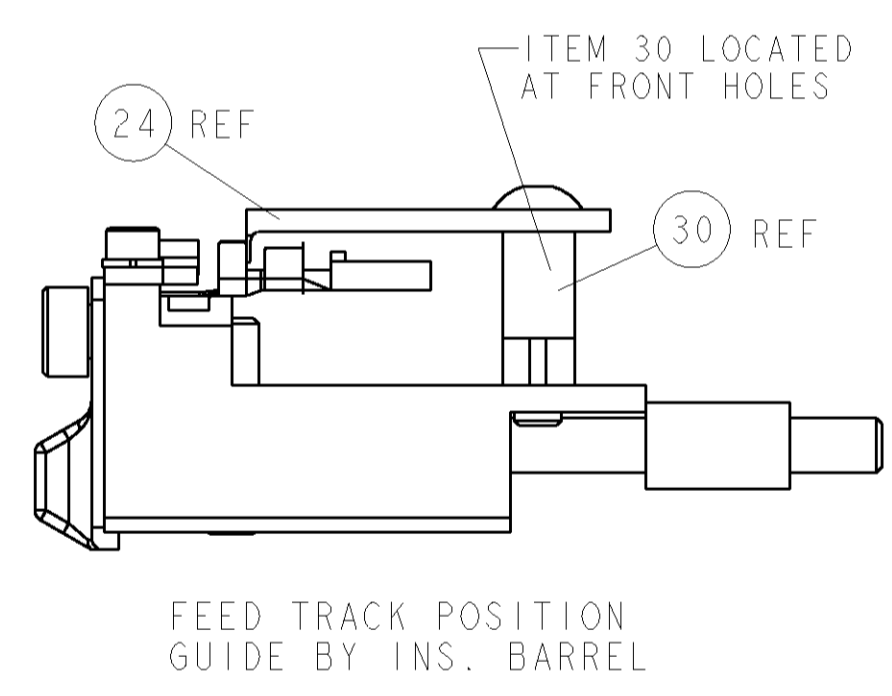
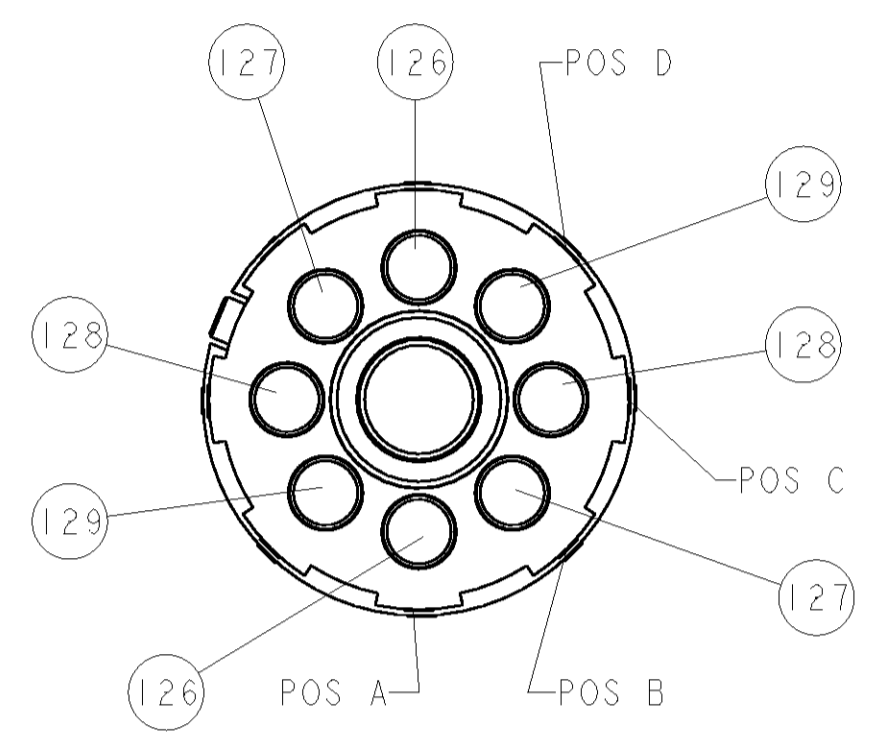


| PART NUMBER | REV | FIRST USED | POWER UNIT | FEED TYPE | DESCRIPTION |
|-------------|-----|------------|---------------|-----------|--------------------|
| 1852805-1 | A | 122500-1 | LEADMAKER | POST FEED | CUTS CARRIER |
| 1852805-2 | A | 565435-5 | BENCH MODEL K | PRE FEED | CUTS CARRIER |
| 1852805-3 | A | 354500-1 | BENCH MODEL G | PRE FEED | CUTS CARRIER |
| 1852805-6 | A | 122500-1 | LEADMAKER | POST FEED | CONTINUOUS CARRIER |
| 7-1852805-7 | A | - | - | - | SPARE PARTS |



| TE PN | | YAZAKI | | YAZAKI TERMINAL - YAZAKI CRIMP SPECS | |
|-------------------|----------------|---------|------------------------------------|--------------------------------------|--------------------------|
| 1949862 | 7116-1231 | | | | |
| | | PAD LTR | CRIMP HEIGHT | WIRE SIZE | |
| - | - | A | 1.55mm±.05/.05 [.061±.002/- .002] | 2mm ² | |
| - | - | B | 1.45mm±.05/.05 [.057±.002/- .002] | 1.25mm ² | |
| - | - | C | 1.40mm±.05/.05 [.055±.002/- .002] | 1mm ² | |
| - | - | D | 1.35mm±.05/.05 [.053±.002/- .002] | 0.85mm ² | |
| | | CRIMP | SIZE | TYPE | RANGE |
| - | - | - | 2.74mm [.108] | F | 0.85-2.0 mm ² |
| - | - | WIRE | 3.30mm [.130] | F | ∅ 1.7-2.8mm |
| WIRE STRIP LENGTH | TERM APPL SPEC | FEED | APPLICATOR INSTRUCTIONS | | SET UP GAGE |
| 4.00-5.00 | YAZAKI WA1784 | 13.00 | 408-8040 | | 458637-1 |

- △ RECOMMENDED SPARE PARTS
- △ GREASE LIGHTLY
- △ GUARD MUST BE IN PLACE WHEN OPERATING APPLICATOR IN A BENCH MACHINE
- △ GRIND TO LENGTH AT ASSY.



| LOC | DIST | REV | DESCRIPTION | DATE | OWN | APPR |
|-----|------|-----|-------------|-----------|-----|------|
| A | 66 | 1 | PRELIMINARY | 24DEC2008 | RS | SX |
| | | A | RELEASED | 20JAN2009 | MEH | TE |

| QTY | REV | DESCRIPTION | ITEM NO | | | | |
|-----|-----|-------------|---------|---|-------------|---------------------------------------|-----|
| - 2 | 2 | 2 | 2 | - | 2-354779-4 | PIN, WIRE DISC, .3110 | 129 |
| - 2 | 2 | 2 | 2 | - | 1-354779-9 | PIN, WIRE DISC, .3085 | 128 |
| - 2 | 2 | 2 | 2 | - | 1-354779-5 | PIN, WIRE DISC, .3065 | 127 |
| - 2 | 2 | 2 | 2 | - | 354779-7 | PIN, WIRE DISC, .3025 | 126 |
| △ | - | - | REF | - | 455749-1 | GUARD WINDOW | 116 |
| △ | - | - | REF | - | 679532-1 | INSERT, GUARD | 115 |
| - | 1 | 1 | 1 | 1 | 690603-1 | SPRING ASSIST AMP-O-MATOR APPLICATOR | 112 |
| - | 1 | 1 | 1 | 1 | 1-21002-7 | SCR, BTN SKT HD CAP 6-32 X .375 | 91 |
| - | 1 | 1 | 1 | 1 | 318563-1 | GUARD, FRONT CHIP | 89 |
| - | 1 | 1 | 1 | 1 | 4088040 | SF APPL INST 408-8040 | 72 |
| - | 1 | 1 | 1 | 1 | 217238-1 | GENERAL INSTRUCTION PKG | 71 |
| - | 1 | 1 | 1 | 1 | 461264-1 | PLATE, IDENTIFICATION | 67 |
| - | 2 | 2 | 2 | 2 | 21017-2 | SCREW, DRIVE | 66 |
| - | 1 | 1 | 1 | 1 | 986950-1 | WASHER, FLAT PRECISION | 64 |
| - | 1 | 1 | 1 | 1 | 21009-2 | SCR, SET, SELF LOCKING 1/4-20 X .250 | 63 |
| - | 1 | 1 | 1 | 1 | 23030-1 | SCR, SKT HD CAP 6-32 X .25 | 62 |
| - | 1 | 1 | 1 | 1 | 22733-8 | SCR, BHSC, SELF-LOCKING, 8-32 X .375 | 60 |
| - | 1 | 1 | 1 | 1 | 2-22603-0 | SCR, HEX HD CAP 8-32 X .312 | 59 |
| - | 1 | 1 | 1 | 1 | 458537-2 | PAWL, FEED | 56 |
| △ | 4 | 4 | 4 | 4 | 2-21002-2 | SCR, BTN SKT HD CAP 8-32 X .500 | 54 |
| △ | 2 | 2 | 2 | 2 | 2-21000-8 | SCR, SKT HD CAP 8-32 X .625 | 53 |
| - | 1 | 1 | 1 | 1 | 21018-5 | NUT, HEX, REG 6-32 | 52 |
| - | 1 | 1 | 1 | 1 | 811242-2 | BUMPER, HOLD DOWN | 51 |
| - | 1 | 1 | 1 | 1 | 690753-1 | SPACER, TONKER | 50 |
| - | - | - | - | - | 690602-6 | CAM, PRE FEED, 1 5/8 | 49 |
| - | - | - | - | - | 690602-5 | CAM, PRE FEED, 1 1/8 | 48 |
| - | 1 | - | - | 1 | 690501-4 | CAM, POST-FEED 1 5/8 | 47 |
| - | 1 | 1 | 1 | 1 | 459456-1 | APPL. BASIC SUB ASSY (SIDE WISE MOCA) | 46 |
| - | 1 | 1 | 1 | 1 | 690191-1 | PLUG, NYLON | 45 |
| - | 1 | 1 | 1 | 1 | 455673-1 | RAM, SIDE FEED | 44 |
| - | 1 | 1 | 1 | 1 | 690125-1 | SHIM SUB-ASSY | 43 |
| - | 1 | 1 | 1 | 1 | 690124-1 | WASHER, RAM (.115) | 42 |
| - | 1 | 1 | 1 | 1 | 7-21002-9 | SCR, BTN SKT HD CAP 5/16-24 X 1.00 | 41 |
| - | 1 | 1 | 1 | 1 | 23241-6 | BALL, STEEL | 40 |
| - | 1 | 1 | 1 | 1 | 690170-1 | SPRING, COMPRESSION | 39 |
| - | 1 | 1 | 1 | 1 | 1-690142-2 | DISC, INSULATION | 38 |
| - | 1 | 1 | 1 | 1 | 354777-1 | WIRE DISC, ASSEMBLY | 37 |
| - | 1 | 1 | 1 | 1 | 22480-5 | SPRING, COMPRESSION | 36 |
| - | 1 | 1 | 1 | 1 | 690212-1 | POST, RAM | 35 |
| - | 1 | 1 | 1 | 1 | 690786-3 | TERMINAL SUPPORT | 34 |
| - | 2 | 2 | 2 | 2 | 2-21002-4 | SCR, BTN SKT HD CAP 8-32 X .750 | 33 |
| - | 1 | 1 | 1 | 1 | 21024-5 | WASHER, SPRG LOCK, REG NO 10 | 32 |
| - | 1 | 1 | 1 | 1 | 3-21000-4 | SCR, SKT HD CAP 10-32 X .375 | 31 |
| - | 1 | 1 | 1 | 1 | 1320908-2 | SPACER, STRIP GUIDE | 30 |
| - | 1 | 1 | 1 | 1 | 1633091-1 | ASSEMBLY, STRIP GUIDE | 29 |
| - | 1 | 1 | 1 | 1 | 1-455888-0 | SPACER, CRIMPER | 28 |
| - | 1 | 1 | 1 | 1 | 1320928-1 | PLATE, STRIP GUIDE | 24 |
| - | 1 | - | - | - | 690472-2 | STRIPPER | 22 |
| - | 1 | 1 | 1 | 1 | 2-21000-7 | SCR, SKT HD CAP 8-32 X .500 | 21 |
| - | 4 | 4 | 4 | 4 | 21024-4 | WASHER, SPRG LOCK, REG NO 8 | 20 |
| - | - | - | - | - | 691353-1 | STRIPPER | 19 |
| △ | - | - | - | - | 679625-1 | SHEAR HOLDER, FRONT (NO CUT) | 13 |
| - | 1 | 1 | 1 | 1 | 3-22280-3 | SPRING, COMPRESSION | 12 |
| - | 1 | 1 | 1 | 1 | 690461-1 | STOP, SHEAR | 11 |
| - | - | - | - | - | 690459-1 | SHEAR HOLDER, FRONT | 10 |
| △ | - | - | - | - | 1-462006-6 | FLOATING SHEAR, FRONT | 9 |
| △ | 1 | 1 | 1 | 1 | 9-1633535-4 | ANVIL, COMBINATION | 8 |
| - | 1 | 1 | 1 | 1 | 3-240641-3 | SPACER | 7 |
| - | - | - | - | - | - | - | 6 |
| - | 1 | 1 | 1 | 1 | 2-455889-0 | DEPRESSOR, SHEAR | 5 |
| - | 1 | 1 | 1 | 1 | 2-238011-1 | BLOCK, CRIMPER SPACER | 4 |
| △ | 1 | 1 | 1 | 1 | 6-456134-4 | CRIMPER, INSULATION F PREMIUM | 3 |
| △ | 1 | 1 | 1 | 1 | 1-455888-0 | SPACER, CRIMPER | 2 |
| △ | 1 | 1 | 1 | 1 | 5-1633588-8 | CRIMPER, WIRE | 1 |

| | | | | | | | | | | | | |
|--------------------|------------|--|-------------|--------------------------|-------------|-----------------------|-----------|--------------------------|-----------|--------------------------------|------------------|--|
| DIMENSIONS: INCHES | | TOLERANCES UNLESS OTHERWISE SPECIFIED: | | DRAWN: SR SHEN 24DEC2008 | | CHK: M HERR 30DEC2008 | | APPR: M DEMING 30DEC2008 | | NAME: SIDE FEED HDM APPLICATOR | | |
| ∅ | 9 PLC ±.01 | 1 PLC ±.01 | 3 PLC ±.001 | 4 PLC ±.0001 | MATERIAL: - | | FINISH: - | | WEIGHT: - | | CUSTOMER DRAWING | |
| SCALE: 3:5 | | | | SHEET: 1 OF 1 | | | | REV: A | | | | |

CUSTOMER VIEWABLE ASSEMBLY