



Revision Level			Revision Record	Changed	Date	Approved	Date
Drawing	State	Part					
02.1	Design Release	-	SEE ECN# 015679	NHK	01/27/20	HDC	01/27/20

REFERENCE:

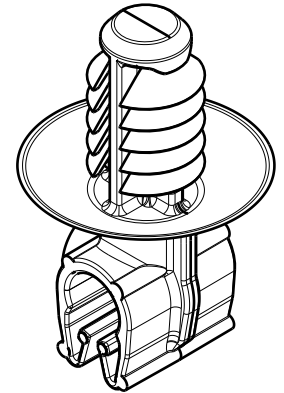
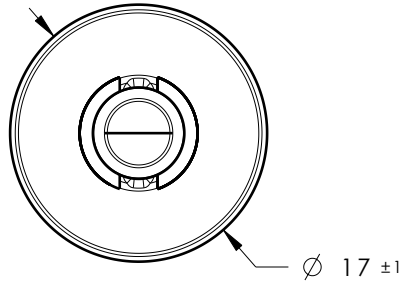
PERFORMANCE REQUIREMENTS AT DRY AS MOLDED:

1. FIR TREE PUSH IN FORCE: 45 NEWTONS (10 LBS) MAX IN THE APPLICABLE NOMINAL HOLE SIZE AND A PLATE THICKNESS OF 1.8mm.
2. FIR TREE PULL OUT FORCE: 155 NEWTONS (35 LBS) MIN IN THE APPLICABLE NOMINAL HOLE SIZE AND A PLATE THICKNESS OF 1.8mm.
3. SHEET METAL THICKNESS RANGE: 0.60mm - 5.5mm
4. APPLICABLE HOLE SIZE:
A. 6.5mm +0.5/- 0.4
5. FITS USCAR MATING HOLE EWCAP -007 (NOT A TEST SPEC.)

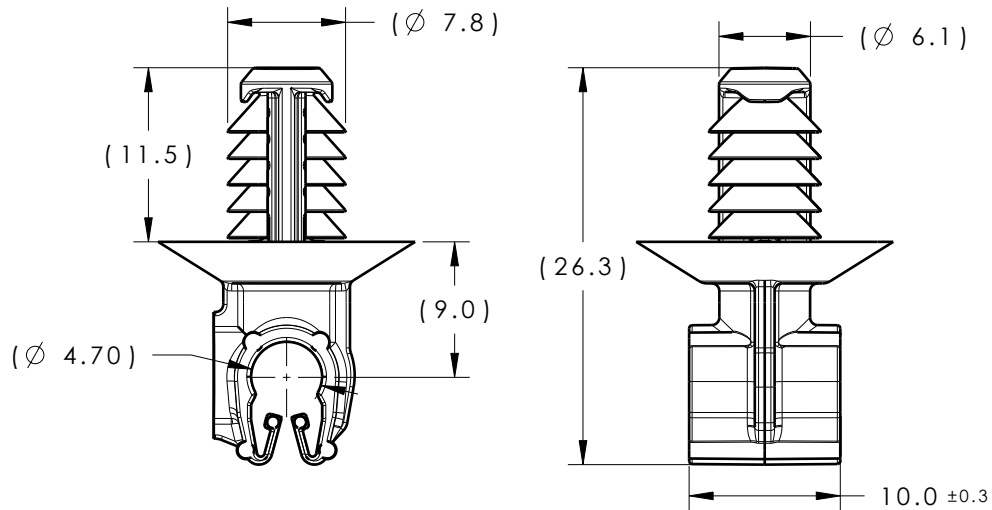
NOTES:

1. MAXIMUM PERCENT REGRIND PERMISSIBLE: 25%
2. MAX ALLOWABLE FLASH OR MISMATCH TO BE 0.5mm.

PATENT:
US D840,799 S
EU 03864313
CN 304373914 S



ISOMETRIC VIEW



DIAMETER RANGE		
HARNESS	HOSE	HARD PIPE/TUBE
4.5MM-5.5MM	4.0MM-5.3MM	4.8MM-5.5MM



GLOBAL PART DESCRIPTION	MATERIAL	COLOR
MOC5FT6.5-PA66HIRHSUV-BK	PA66HIRHSUV	BLACK

Material SEE CHART COLOR: SEE CHART 	Units millimeters Tolerance defined on each dimension	The copyright of this drawing is reserved by HellermannTyton. It is issued on condition that it is not reproduced, copied or disclosed to a third party, either wholly or in part, without the consent of HellermannTyton.	Drawn	CRB	08/19/16	Article/Type-No	MOC5FT6.5	Scale	2:1
			Approved	EJH	09/26/16	Title	5MM (3/16") MODULAR OMEGA CLIP WITH 6.5MM FIR TREE	Project Number	16-0313
			HellermannTyton North America Email: corp@htamericas.com Web: www.hellermann.tyton.com			Drawing-No	16-0313-009-CSU	Format	AH
						PRODUCTION/Phase	02.1	Sheet	1/1