



Revision Level			Revision Record	Changed	Date	Approved	Date
Drawing	State	Part					
01.2	Design Release	-	SEE ECN# 013851	TAT	5/15/17	EJH	5/15/17

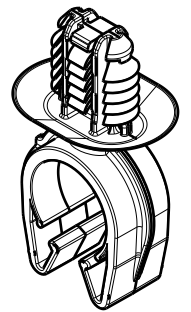
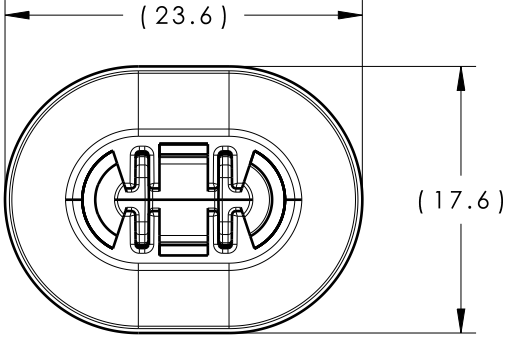
REFERENCE:

PERFORMANCE REQUIREMENTS AT DRY AS MOLDED:

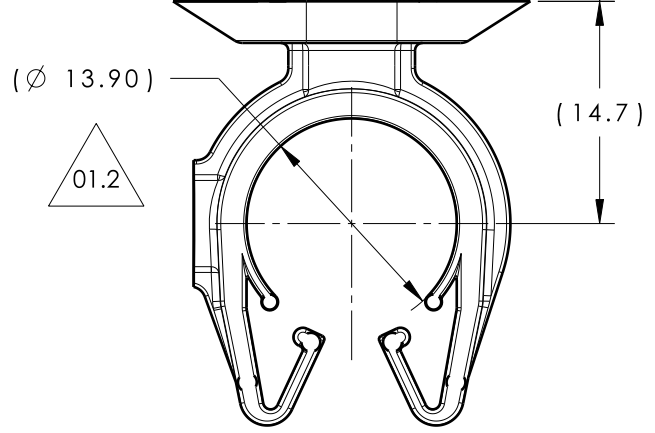
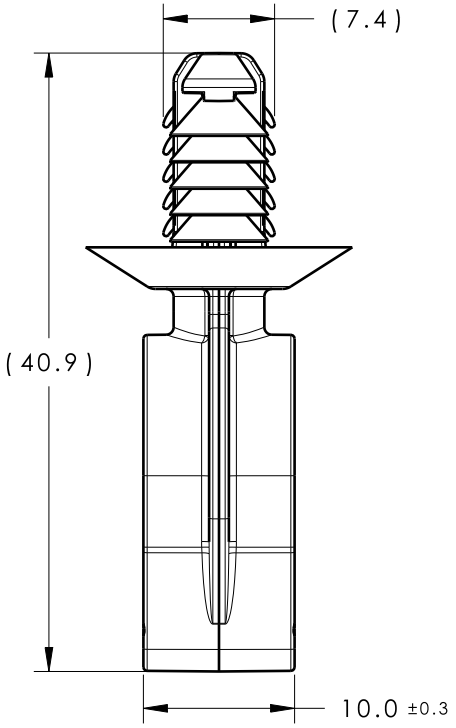
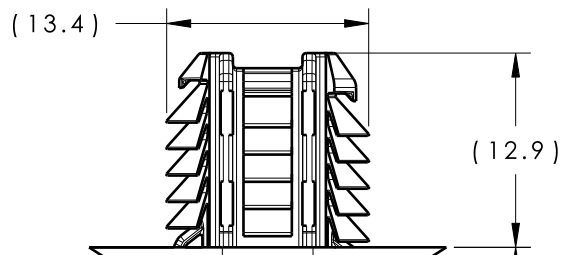
1. FIR TREE PUSH IN FORCE: 45 NEWTONS (10 LBS) MAX IN EACH APPLICABLE OVAL HOLE SIZE AND A PLATE THICKNESS OF 1.8mm. 01.2
2. FIR TREE PULL OUT FORCE: 155 NEWTONS (35 LBS) MIN IN EACH APPLICABLE OVAL HOLE SIZE AND A PLATE THICKNESS OF 1.8mm.
3. SHEET METAL THICKNESS RANGE: 0.60mm - 6.75mm
4. APPLICABLE OVAL HOLE SIZES:
 - A. 6.2 X 12.2mm
 - B. 6.5 X 12.5mm
 - C. 6.5 X 13.0mm
 - D. 7.0 X 12.0mm
5. FITS USCAR MATING HOLE EWCAP -007 (NOT A TEST SPEC.) 01.2

NOTES:

1. MAXIMUM PERCENT REGRIND PERMISSIBLE: 25%
2. MAX ALLOWABLE FLASH OR MISMATCH TO BE 0.5mm.



ISOMETRIC VIEW
SCALE 1:1



DIAMETER RANGE		
HARNESS	HOSE	HARD PIPE/TUBE
13.0MM-15.0MM	13.0MM-15.0MM	14.0MM-15.8MM

Material
PA66
COLOR: BLACK 01.2

Units **millimeters**

Tolerance defined on each dimension

The copyright of this drawing is reserved by HellermannTyton. It is issued on condition that it is not reproduced, copied or disclosed to a third party, either wholly or in part, without the consent of HellermannTyton.

Drawn CRB 7/21/16
Approved EJH 09/30/16

HellermannTyton

North America
Email: corp@htamericas.com
Web: www.hellermann.tyton.com

Article/Type-No MOC14FTOVAL
Title 14MM (9/16") MODULAR OMEGA CLIP WITH 6.5 X12.5MM OVAL FIR TREE
Drawing-No PROTOTYPE : Phase
16-0320-010-CSU

Scale 2:1
Project Number 16-0320
Format AH
Sheet 1/1