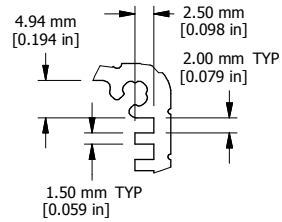
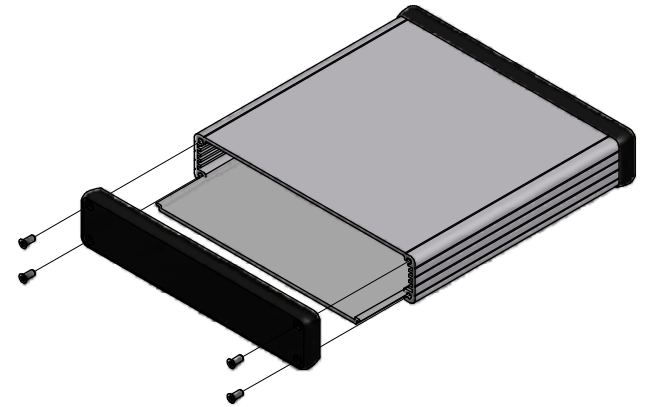


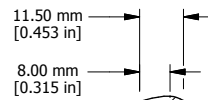
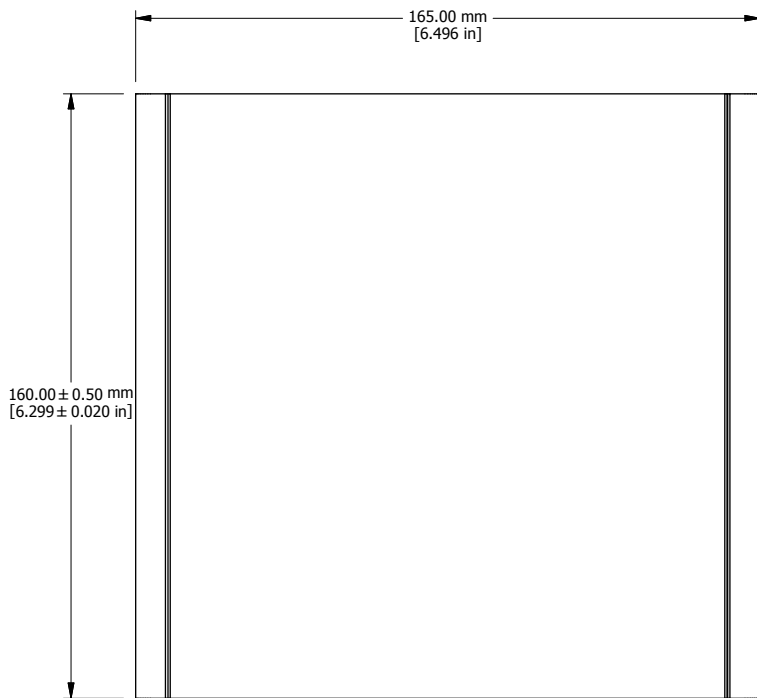
EXTRUSION



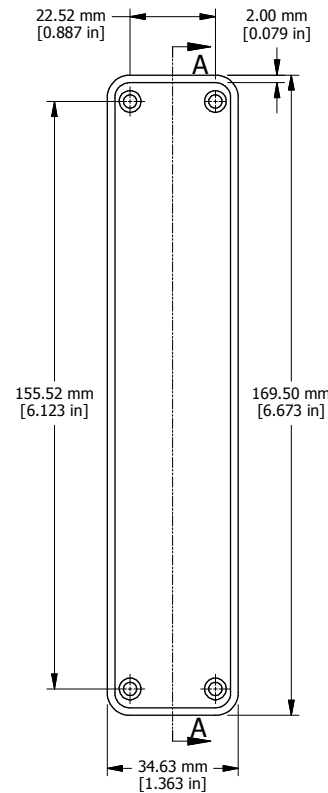
DETAIL A



EXPLODED ASSEMBLY VIEW



SECTION A-A



CLOSED BEZEL

EXTRUSION DESIGNED FOR  
160MM WIDE PC BOARD

Enclosures can be Factory Modified ( Milling, Drilling, Printing etc.)  
Solid models of this enclosure available in STEP or IGES.  
Contact Factory [mjm@hammondmfg.com](mailto:mjm@hammondmfg.com)

**NOTE**

Purchased assembly includes box, plastic bezels, #6 Taptight screws and self adhesive rubber feet.  
Box made from Extruded Aluminum 6063.  
Bezels made with ABS.

**1455R1602**

**PART NUMBERS**

Clear Anodized	1455R1602
Black Anodized	1455R1602BK

**ACCESSORIES**

See website for accessories.

