

# Housing - HC-STA-D50-SHWD-2SSM32-ELC-AL - 1424414

Please be informed that the data shown in this PDF Document is generated from our Online Catalog. Please find the complete data in the user's documentation. Our General Terms of Use for Downloads are valid (<http://phoenixcontact.com/download>)



Box mounting bases D50, with double locking latch, material: Die-cast aluminum, salt water resistant, cable outlets: 2, lateral, height: 82 mm, cable gland: none, support sleeve: no, 2x M32, Standard



## Key Commercial Data

Packing unit	1 pc
GTIN	
GTIN	4055626371542

## Technical data

### Dimensions

Height	82 mm
Width	70 mm
Length	106 mm

### Ambient conditions

Degree of protection (IP)	IP66
	IP67
Ambient temperature (operation)	-40 °C ... 125 °C

### General

Size	D50
Housing type	Box mounting bases
Color	gray aluminum
Locking type	with double locking latch
No. of cable outlets	2
Cable outlet	lateral
Screw connection	none
Type of the screw connection	2x M32
Housing material	Die-cast aluminum, salt water resistant

# Housing - HC-STA-D50-SHWD-2SSM32-ELC-AL - 1424414

## Technical data

### General

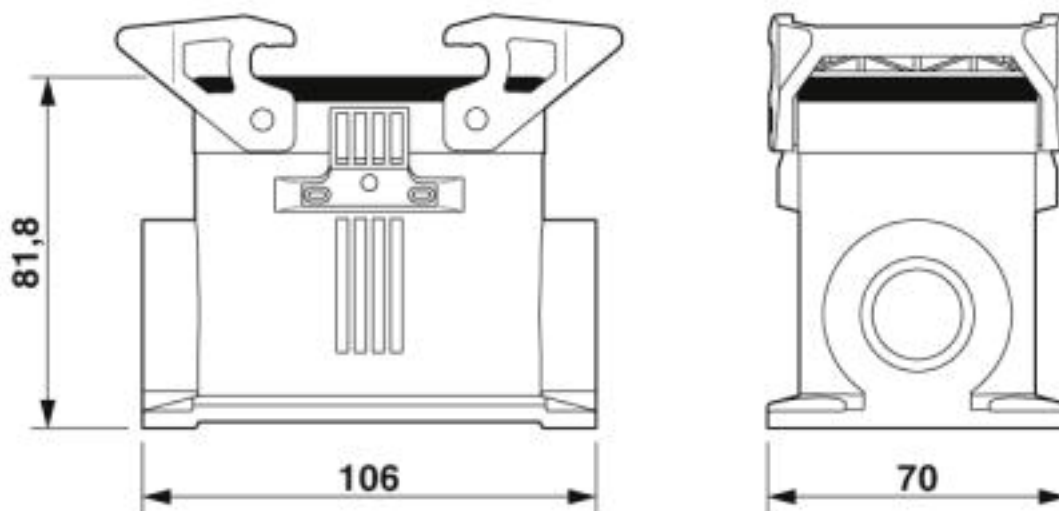
Housing surface material	uncoated
Seal material	NBR, conductive
Material lock	PA
Assembly instructions	One opening is sealed with a plastic filler plug and can be opened using a screwdriver.

### Environmental Product Compliance

China RoHS	Environmentally Friendly Use Period = 50
	For details about hazardous substances go to tab "Downloads", Category "Manufacturer's declaration"

## Drawings

Dimensional drawing



Dimensional drawing

## Approvals

### Approvals

#### Approvals

EAC / UL Recognized / cUL Recognized / DNV GL / cULus Recognized


#### Ex Approvals


### Approval details

# Housing - HC-STA-D50-SHWD-2SSM32-ELC-AL - 1424414

## Approvals

EAC		EAC-Zulassung
-----	---	---------------

UL Recognized		<a href="http://database.ul.com/cgi-bin/XYV/template/LISEXT/1FRAME/index.htm">http://database.ul.com/cgi-bin/XYV/template/LISEXT/1FRAME/index.htm</a>	E255026
---------------	---	---	---------

cUL Recognized		<a href="http://database.ul.com/cgi-bin/XYV/template/LISEXT/1FRAME/index.htm">http://database.ul.com/cgi-bin/XYV/template/LISEXT/1FRAME/index.htm</a>	E255026
----------------	---	---	---------

DNV GL		<a href="https://approvalfinder.dnvgl.com/">https://approvalfinder.dnvgl.com/</a>	TAE000037S
--------	---	---	------------

cULus Recognized			
------------------	---	--	--

Phoenix Contact 2019 © - all rights reserved  
<http://www.phoenixcontact.com>

PHOENIX CONTACT GmbH & Co. KG  
Flachsmarktstr. 8  
32825 Blomberg  
Germany  
Tel. +49 5235 300  
Fax +49 5235 3 41200  
<http://www.phoenixcontact.com>