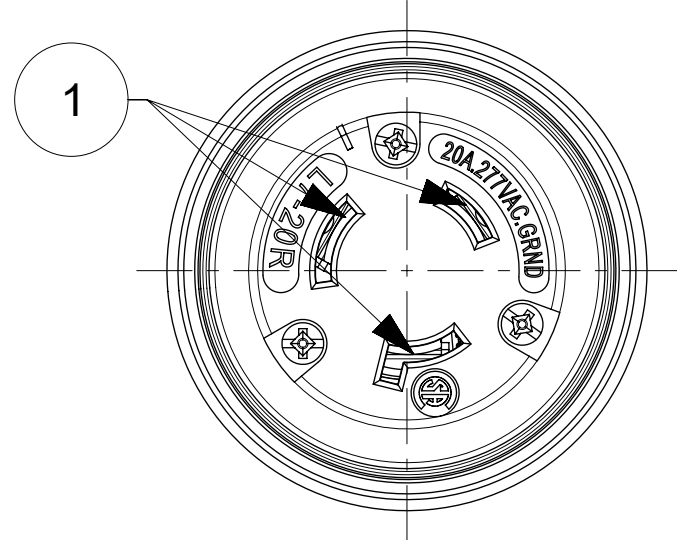
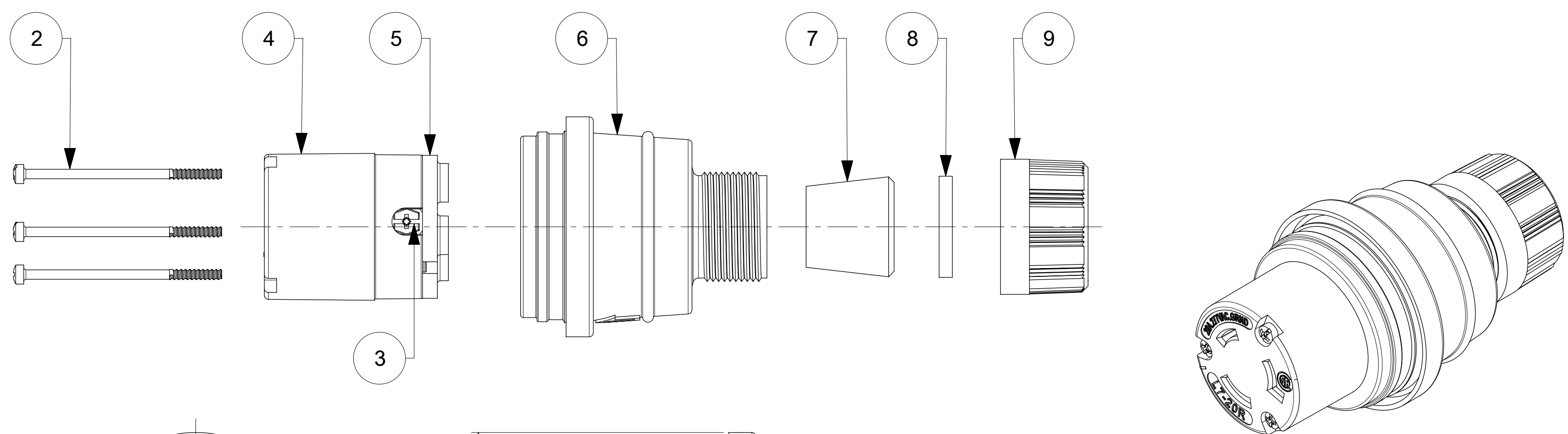
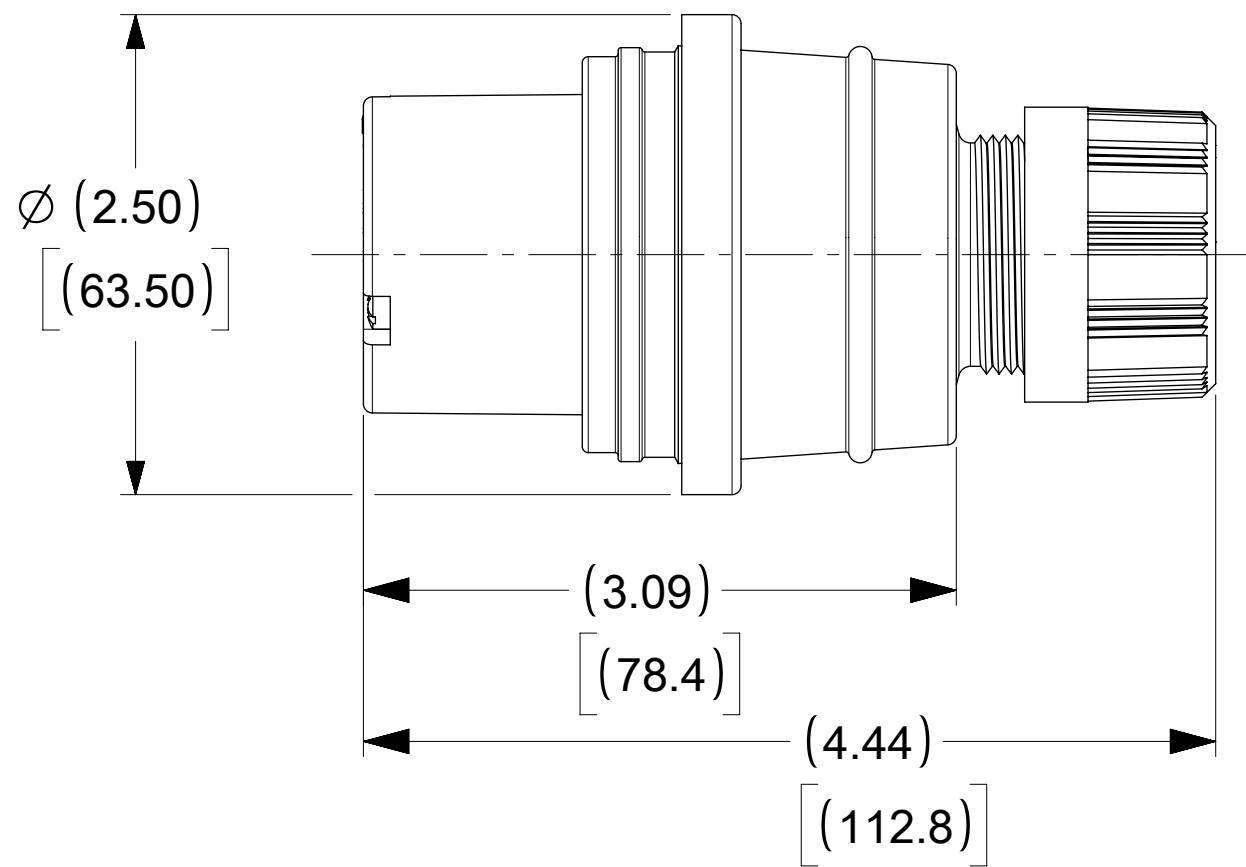


ORDER NO.	WOODHEAD NO.	COLOR
130147-0255	27W49MB-P	YELLOW



FACE VIEW



ITEM NO.	DESCRIPTIONS	MATERIAL	QTY.
1	BLADE	BRASS, NICKEL PLATED	3
2	RETAINING SCREWS	STAINLESS STEEL	3
3	CLAMP AND TERMINAL SCREW ASSY	BRASS, ZINC PLATED	3
4	INSERT	NYLON	1
5	TERMINAL COVER	POLYCARBONATE	1
6	HOUSING	SILICON WITH NYLON THREAD	1
7	GROMMET	RUBBER	1
8	FRICTION RING	NYLON	1
9	COMPRESSION NUT	NYLON	1

SYMBOLS DIMENSION UNITS: INCH[MM] SCALE: NTS CURRENT REV DESC: RELEASED EC NO: 614274 DRWN: DSOPPIN 2018/12/17 CHK'D: DNGUYEN62 2019/03/27 APPR: HKNEELAND 2019/03/28 INITIAL REVISION: DRWN: DSOPPIN 2018/12/17 APPR: HKNEELAND 2019/03/28 DRAFT WHERE APPLICABLE MUST REMAIN WITHIN DIMENSIONS THIRD ANGLE PROJECTION DRAWING SERIES: C-SIZE 130147				molex WATERTITE CONN MOTOR BASE 2P3W L7-20R PRODUCT CUSTOMER DRAWING DOCUMENT NUMBER: 1301470255 DOC TYPE: PSD DOC PART: 000 REVISION: A MATERIAL NUMBER: SEE TABLE CUSTOMER: GENERAL MARKET SHEET NUMBER: 1 OF 1	
--	--	--	--	--	--