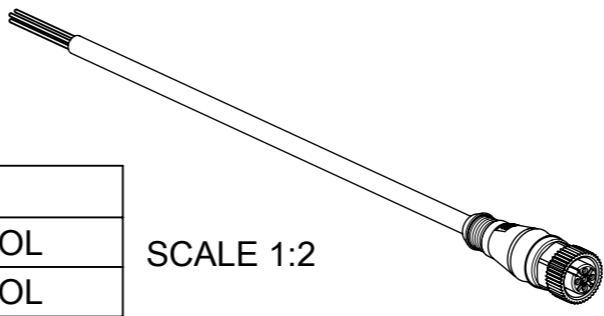


TABLE 1

POL	MATERIAL-NO.	ENGINEERING-NR.	L [mm]	TOLERANCE [mm]
4 POL	1200652388	804000B30M010R	1000	+20mm /-10mm
	1200652389	804006B30M020R	2000	±25mm
	1200652390	804006B30M030R	3000	±25mm
	1200652391	804006B30M040R	4000	±25mm
	1200652392	804006B30M050R	5000	±25mm
8 POL	1200652393	808000B41M010R	1000	+20mm /-10mm
	1200652394	808000B41M020R	2000	±25mm
	1200652395	808000B41M030R	3000	±25mm
	1200652396	808000B41M040R	4000	±25mm
	1200652397	808000B41M050R	5000	±25mm

CONNECTOR SPECIFICATION / Steckverbindungs-Eigenschaften		
VOLTAGE RATING/Betriebsspannung	250V AC/DC	4 POL
	30V AC/DC	8 POL
AMPERAGE RATING/Bemessungsstrom	max. 4 AMPS (40°C)	4 POL
	max. 2 AMPS (40°C)	8 POL
PROTECTION/IP-Schutzart	IP67	4 + 8 POL
OPERATING TEMPERATURE/Temperaturbereich	max. -40°C TO +90°C	4 + 8 POL

SCALE 1:2



POS.	DESCRIPTION	MATERIAL	FINISH
1	INSERT FEMALE	PUR	BLACK
2	CONTACT FEMALE	BRASS (8P)	GOLD OVER NICKEL
		COPPER ALLOY (4P)	
3	GASKET	FPM	RED
4	NUT	BRASS	NICKEL PLATED
5	OVERMOULD	TPU	RED
6	CABLE	PUR	BLACK

QUALITY SYMBOLS A = 0 E = 0 F = 0 G = 0 H = 0 I = 0 J = 0 K = 0 L = 0 M = 0 N = 0 O = 0 P = 0 Q = 0 R = 0 S = 0 T = 0 U = 0 V = 0 W = 0 X = 0 Y = 0 Z = 0	THIS DRAWING CONTAINS INFORMATION THAT IS PROPRIETARY TO MOLEX ELECTRONIC TECHNOLOGIES, LLC AND SHOULD NOT BE USED WITHOUT WRITTEN PERMISSION		DIMENSION UNITS: mm SCALE: 2:1				
	EC NO.: 104087 DRWN: ULETTENMEIER CHK'D: CBRUNS APPR: CBRUNS	GENERAL TOLERANCES (UNLESS SPECIFIED) ANGULAR TOL ± 1.0 °		DRWN BY: EJESKE DATE: 2015/11/04		CSE M12 4P AC FE STR PUR 1M SE UNSH BK BRASS AU	
		4 PLACES ± 3 PLACES ± 2 PLACES ± 0.05 1 PLACE ± 0.3 0 PLACES ± 0.5		CHK'D BY: _____ DATE: _____			
		DRAFT WHERE APPLICABLE MUST REMAIN WITHIN DIMENSIONS		APPR BY: RSILLER DATE: 2015/12/02			
A1		DRAWING SIZE: A3 THIRD ANGLE PROJECTION		PRODUCT CUSTOMER DRAWING			
RELEASE STATUS: P1 RELEASE DATE: 2016/04/07 10:04:41		SERIES: 120065 MATERIAL NUMBER: SEE TABLE 1 CUSTOMER: GENERAL MARKET		DOCUMENT NUMBER: 1200652388 DOC TYPE: PSD DOC PART: 000 SHEET NUMBER: 1 OF 1			