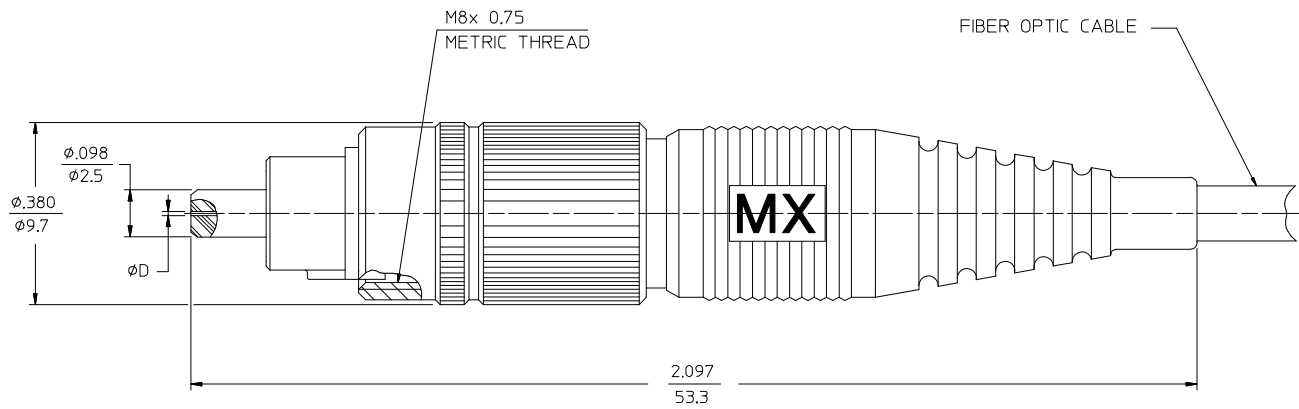


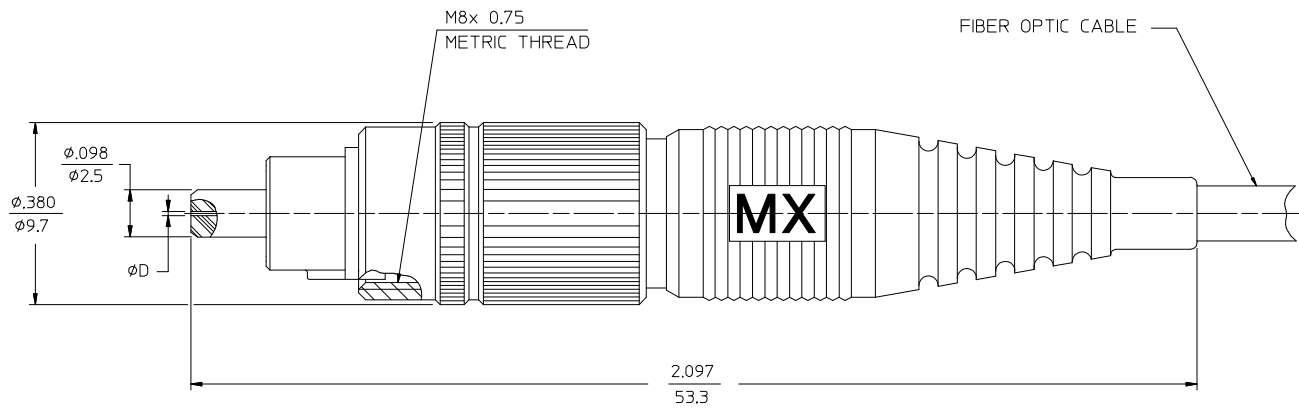
P/N OF FCII CONNECTOR	ØD (Hm)	FERRULE MATERIAL	BOOT COLOR	CABLE DIAMETER	CABLE TYPE	
106053-0000	127	Zr	BLACK	3mm	MULTIMODE	
106053-0099		LOW COST Zr				
106053-0020*	125.5	Zr	YELLOW		SINGLE MODE	
106053-2000			BLACK			
106053-2070	128		BLACK		MULTIMODE	
106053-3000			YELLOW			
106053-4000	125		BLACK		SINGLE MODE	
106053-4070			YELLOW			
106053-5000	126		YELLOW			SINGLE MODE
106053-5020*			BLACK			
106053-5070	127		YELLOW	SINGLE MODE		
106053-7000			BLACK			
106053-7070	126	YELLOW	SINGLE MODE			
106053-5300		YELLOW		2.4mm		



\* P/Ns 106053-0020 AND 106053-5020 ARE BULK PACKED IN QUANTITIES OF 100 PCS.

<b>ENTER DESCRIPTION</b> EC NO: MF2017-0132 DRWN: HANUMAPPARE 2016/11/04 CHKD: APPR: GJM/JIN 2016/11/16 DESCRIPTION	QUALITY SYMBOLS	GENERAL TOLERANCES (UNLESS SPECIFIED)	DIMENSION STYLE	SCALE	DESIGN UNITS	THIRD ANGLE PROJECTION																										
	▼=0 ▽=0	<table border="1"> <thead> <tr> <th></th> <th>mm</th> <th>INCH</th> </tr> </thead> <tbody> <tr> <td>4 PLACES ±</td> <td>---</td> <td>---</td> </tr> <tr> <td>3 PLACES ±</td> <td>---</td> <td>---</td> </tr> <tr> <td>2 PLACES ±</td> <td>---</td> <td>---</td> </tr> <tr> <td>1 PLACE ±</td> <td>---</td> <td>---</td> </tr> <tr> <td>0 PLACE ±</td> <td>---</td> <td>---</td> </tr> </tbody> </table>		mm	INCH	4 PLACES ±	---	---	3 PLACES ±	---	---	2 PLACES ±	---	---	1 PLACE ±	---	---	0 PLACE ±	---	---	<table border="1"> <thead> <tr> <th colspan="2">IN/MM</th> </tr> </thead> <tbody> <tr> <td>DRAWN BY</td> <td>DATE</td> </tr> <tr> <td>CHECKED BY</td> <td>DATE</td> </tr> <tr> <td>APPROVED BY</td> <td>DATE</td> </tr> </tbody> </table>	IN/MM		DRAWN BY	DATE	CHECKED BY	DATE	APPROVED BY	DATE	IN/MM 5:1	INCH	FCII CONNECTOR
		mm	INCH																													
	4 PLACES ±	---	---																													
3 PLACES ±	---	---																														
2 PLACES ±	---	---																														
1 PLACE ±	---	---																														
0 PLACE ±	---	---																														
IN/MM																																
DRAWN BY	DATE																															
CHECKED BY	DATE																															
APPROVED BY	DATE																															
DRAFT WHERE APPLICABLE MUST REMAIN WITHIN DIMENSIONS	ANGULAR ±1/2°	MATERIAL NO. <b>SEE TABLE</b>	DOCUMENT NO. <b>SD-106053-YYYY</b>	SHEET NO. <b>1 OF 1</b>																												

P/N OF FCII CONNECTOR	ØD (Hm)	FERRULE MATERIAL	BOOT COLOR	CABLE DIAMETER	CABLE TYPE	
106053-0000	127	Zr	BLACK	3mm	MULTIMODE	
106053-0099		LOW COST Zr				
106053-0020*	125.5	Zr	YELLOW		SINGLE MODE	
106053-2000			BLACK			
106053-2070	128		BLACK		MULTIMODE	
106053-3000			YELLOW			
106053-4000	125		BLACK		SINGLE MODE	
106053-4070			YELLOW			
106053-5000	126		YELLOW			SINGLE MODE
106053-5020*			BLACK			
106053-5070	127		YELLOW	SINGLE MODE		
106053-7000			BLACK			
106053-7070	126	Zr	YELLOW	SINGLE MODE		
106053-5300			2.4mm			



\* P/Ns 106053-0020 AND 106053-5020 ARE BULK PACKED IN QUANTITIES OF 100 PCS.

<b>ENTER DESCRIPTION</b> EC NO: MF2017-0132 DRWN: HANUMAPPARE 2016/11/04 CHKD: APPR: GJM/JIN 2016/11/16 DESCRIPTION	QUALITY SYMBOLS	GENERAL TOLERANCES (UNLESS SPECIFIED)	DIMENSION STYLE	SCALE	DESIGN UNITS	THIRD ANGLE PROJECTION																										
	▼=0 ▽=0	<table border="1"> <thead> <tr> <th></th> <th>mm</th> <th>INCH</th> </tr> </thead> <tbody> <tr> <td>4 PLACES ±</td> <td>---</td> <td>---</td> </tr> <tr> <td>3 PLACES ±</td> <td>---</td> <td>---</td> </tr> <tr> <td>2 PLACES ±</td> <td>---</td> <td>---</td> </tr> <tr> <td>1 PLACE ±</td> <td>---</td> <td>---</td> </tr> <tr> <td>0 PLACE ±</td> <td>---</td> <td>---</td> </tr> </tbody> </table>		mm	INCH	4 PLACES ±	---	---	3 PLACES ±	---	---	2 PLACES ±	---	---	1 PLACE ±	---	---	0 PLACE ±	---	---	<table border="1"> <thead> <tr> <th colspan="2">IN/MM</th> </tr> </thead> <tbody> <tr> <td>DRAWN BY</td> <td>DATE</td> </tr> <tr> <td>CHECKED BY</td> <td>DATE</td> </tr> <tr> <td>APPROVED BY</td> <td>DATE</td> </tr> </tbody> </table>	IN/MM		DRAWN BY	DATE	CHECKED BY	DATE	APPROVED BY	DATE	5:1	INCH	
		mm	INCH																													
	4 PLACES ±	---	---																													
3 PLACES ±	---	---																														
2 PLACES ±	---	---																														
1 PLACE ±	---	---																														
0 PLACE ±	---	---																														
IN/MM																																
DRAWN BY	DATE																															
CHECKED BY	DATE																															
APPROVED BY	DATE																															
	ANGULAR ±1/2°	DRAFT WHERE APPLICABLE MUST REMAIN WITHIN DIMENSIONS	MATERIAL NO.	DOCUMENT NO.	<b>FCII CONNECTOR</b>  <b>molex</b>																											
			SEE TABLE	SD-106053-YYYY	SHEET NO. 1 OF 1																											
			THIS DRAWING CONTAINS INFORMATION THAT IS PROPRIETARY TO MOLEX INCORPORATED AND SHOULD NOT BE USED WITHOUT WRITTEN PERMISSION																													