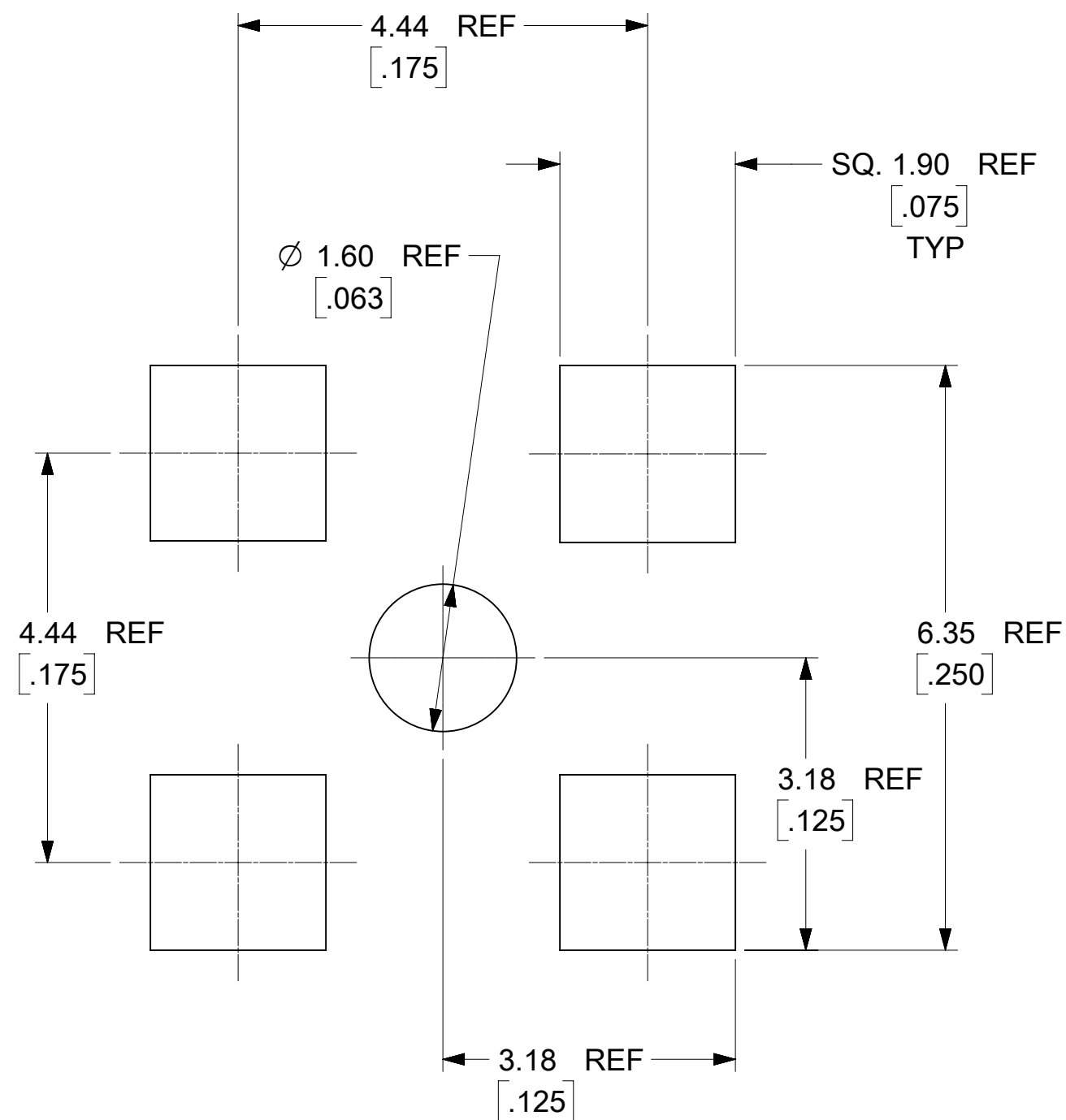
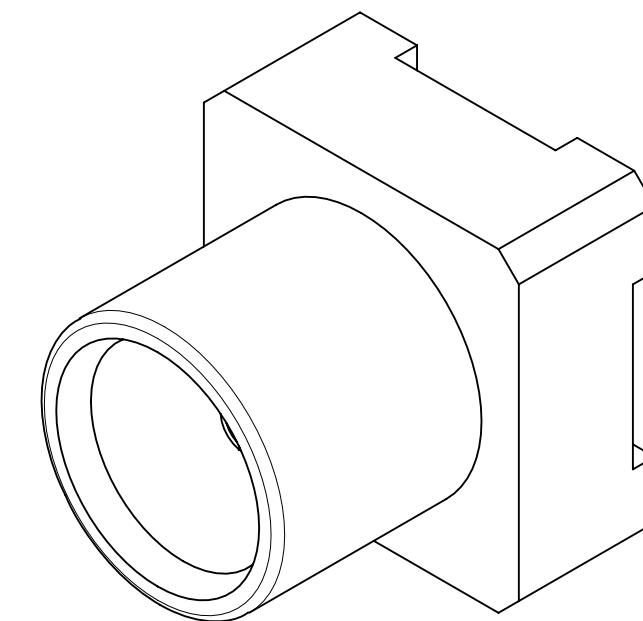


MATERIALS AND FINISHES:

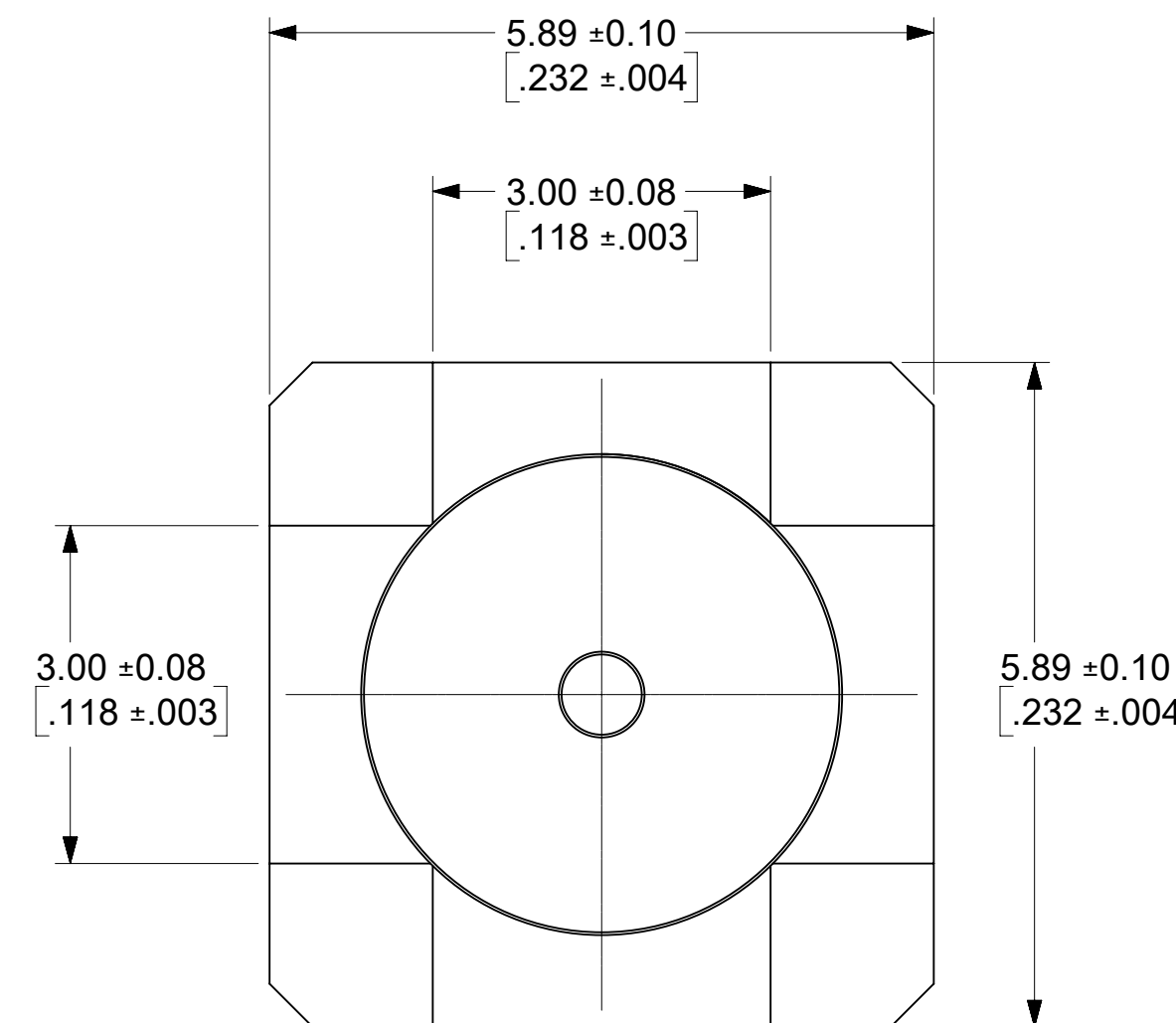
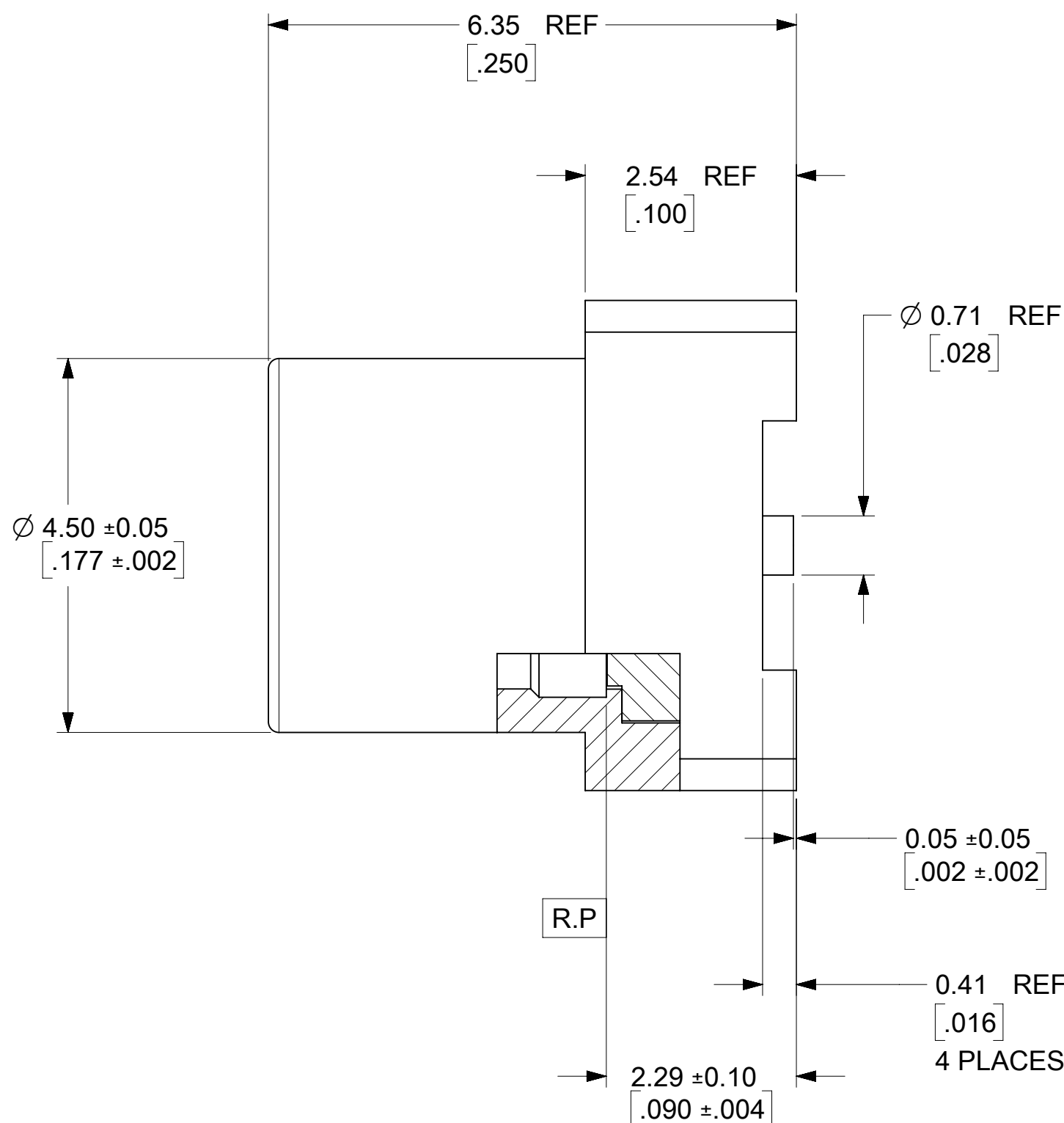
BODY: BRASS
PLATED SEE TABLE

CENTER CONTACT: BERYLLIUM COPPER
PLATED SEE TABLE

INSULATOR: PTFE



RECOMMENDED MOUNTING PATTERN



FUNCTIONAL SYMBOLS	THIS DRAWING CONTAINS INFORMATION THAT IS PROPRIETARY TO MOLEX ELECTRONIC TECHNOLOGIES, LLC AND SHOULD NOT BE USED WITHOUT WRITTEN PERMISSION												
	DIMENSION UNITS	SCALE		CURRENT REV DESC:									
FA = 0	MM/INCH	NTS		EWR # 15426-A ADDED -1639 PART NO FOR TRAY PACKING									
FC = 0	GENERAL TOLERANCES (UNLESS SPECIFIED)			EC NO: 720547						MCX JACK,PCB,SMT,75 OHMS MCX-J/PCB, EWR-11739			
FP = 0		MM	INCH	DRWN: JSU18 2022/09/08									
DIVISIONAL SYMBOLS	4 PLACES	±	±	CHK'D: YCHENG 2022/09/13						PRODUCT CUSTOMER DRAWING			
	3 PLACES	±	± 0.005	APPR: YCHENG 2022/09/13									
	2 PLACES	± 0.13	± 0.01	INITIAL REVISION:									
	1 PLACE	± 0.25	±	DRWN: TEF 2000/01/05						DOCUMENT NUMBER	DOC TYPE	DOC PART	REVISION
0 PLACES	±	±	ANGULAR TOL ± 2.0 °						SD-73415-163		PSD	001	A10
DRAFT WHERE APPLICABLE MUST REMAIN WITHIN DIMENSIONS			THIRD ANGLE PROJECTION		DRAWING	SERIES	MATERIAL NUMBER	CUSTOMER	SHEET NUMBER				
					C-SIZE	73415	SEE TABLE		1 OF 8				

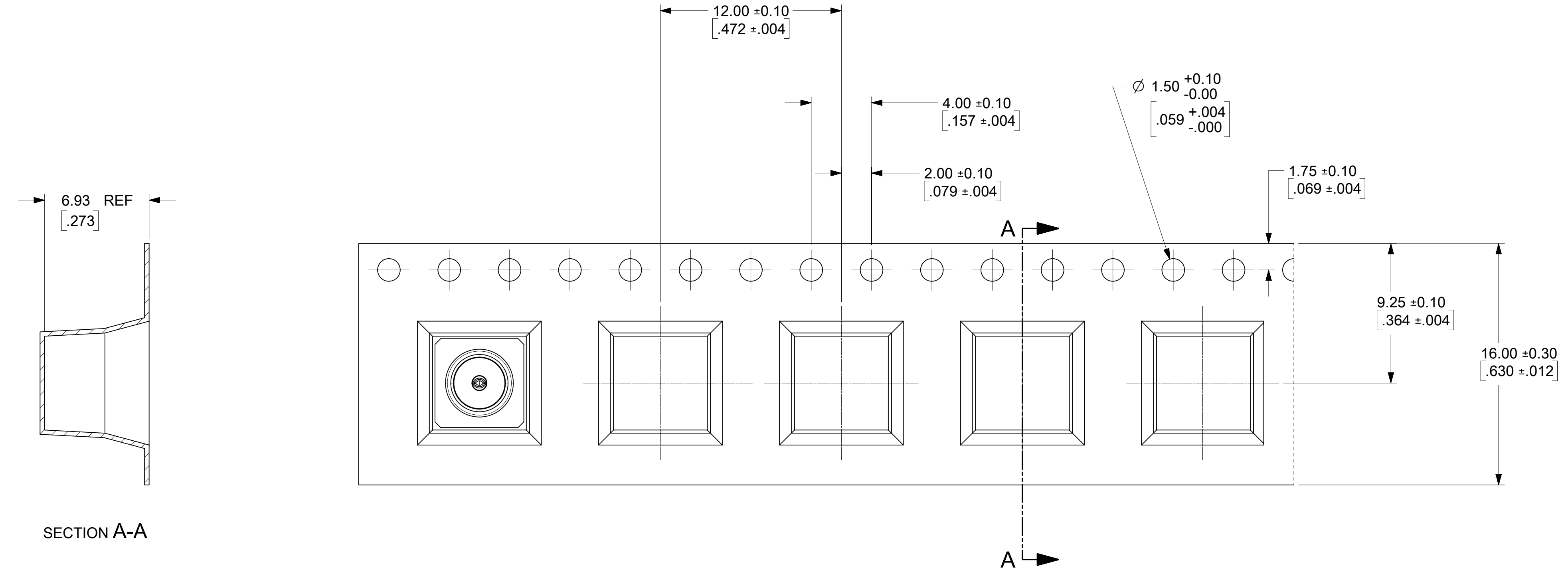
DOCUMENT STATUS	P1	RELEASE DATE	2022/09/13	10:28:02
-----------------	----	--------------	------------	----------

73415-1639	SEE TABLE	P/N 73415-1631,TRAY (DU 3200PCS)
73415-1638	SEE TABLE	TAPE AND REEL (SPQ/DU 800PCS) WITH KAPTON TAPE OF 73415-1631
73415-1637	SEE TABLE	TAPE AND REEL (SPQ 800 PCS) WITHOUT KAPTON TAPE OF 73415-1630
73415-1636	SEE TABLE	TAPE AND REEL (SPQ 800 PCS) WITH KAPTON TAPE OF 73415-1630
73415-1635	SEE TABLE	P/N 73415-1631, ONE PIECE PER BAG
73415-1634	SEE TABLE	P/N 73415-1630, ONE PIECE PER BAG
73415-1633	SEE TABLE	TAPE AND REEL (SPQ 800 PCS) WITHOUT KAPTON TAPE OF 73415-1631
73415-1632	SEE TABLE	TAPE AND REEL (SPQ 800 PCS) WITH KAPTON TAPE OF 73415-1631
73415-1631	SEE TABLE	INDIVIDUAL, 100 PCS PER BAG
73415-1630	SEE TABLE	INDIVIDUAL, 100 PCS PER BAG
PART NO.	PLATING	PACKAGING

CONTACT	GOLD (10μ-in MIN)	GOLD (30μ-in MIN)
BODY	TRI-M3 (80μ-in MIN)	GOLD (10μ-in MIN)
PART NO.	73415-1630	73415-1631

FUNCTIONAL SYMBOLS FA = 0 FC = 0 FP = 0	THIS DRAWING CONTAINS INFORMATION THAT IS PROPRIETARY TO MOLEX ELECTRONIC TECHNOLOGIES, LLC AND SHOULD NOT BE USED WITHOUT WRITTEN PERMISSION		CURRENT REV DESC:		molex
	DIMENSION UNITS MM/INCH	SCALE NTS	EWR # 15426-A ADDED -1639 PART NO FOR TRAY PACKING		
DIVISIONAL SYMBOLS	GENERAL TOLERANCES (UNLESS SPECIFIED)		EC NO: 720547		MCX JACK,PCB,SMT,75 OHMS MCX-J/PCB, EWR-11739
	4 PLACES	±	±	2022/09/08	
	3 PLACES	±	± 0.005	2022/09/13	PRODUCT CUSTOMER DRAWING
	2 PLACES	±	0.13	± 0.01	
	1 PLACE	±	0.25	±	DOCUMENT NUMBER SD-73415-163
	0 PLACES	±	±	±	
	ANGULAR TOL	±	2.0 °		DOC PART 001
	DRAFT WHERE APPLICABLE MUST REMAIN WITHIN DIMENSIONS	THIRD ANGLE PROJECTION		DRAWING C-SIZE	REVISION A10
				SERIES 73415	SHEET NUMBER 2 OF 8

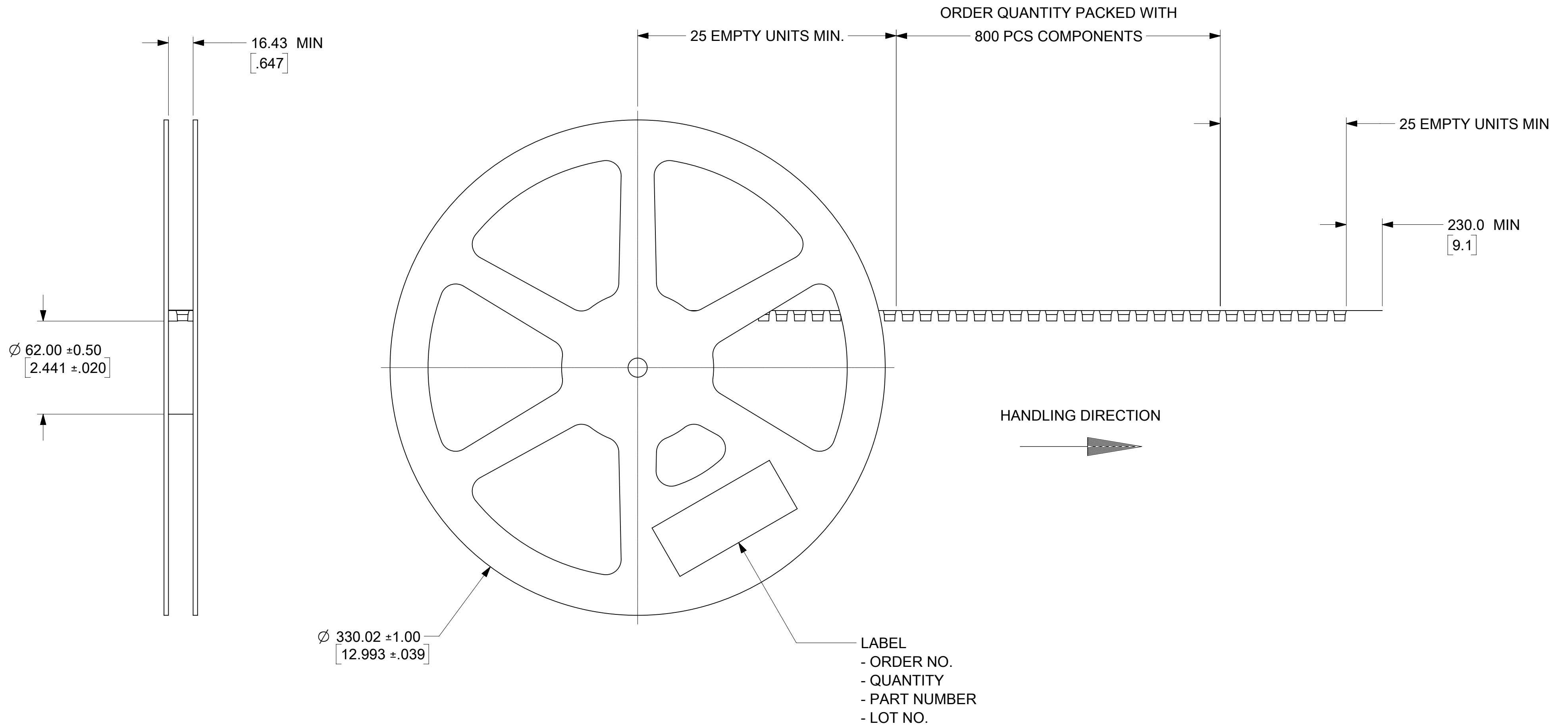
DOCUMENT STATUS	P1	RELEASE DATE	2022/09/13	10:28:02
-----------------	----	--------------	------------	----------



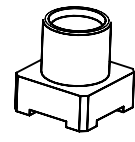
SECTION A-A

FUNCTIONAL SYMBOLS										THIS DRAWING CONTAINS INFORMATION THAT IS PROPRIETARY TO MOLEX ELECTRONIC TECHNOLOGIES, LLC AND SHOULD NOT BE USED WITHOUT WRITTEN PERMISSION									
DIMENSION UNITS					SCALE					CURRENT REV DESC:									
MM/INCH					NTS					EWR # 15426-A ADDED -1639 PART NO FOR TRAY PACKING									
GENERAL TOLERANCES (UNLESS SPECIFIED)										EC NO: 720547									
4 PLACES ±					MM					DRWN: JSU18					2022/09/08				
3 PLACES ±					± 0.005					CHK'D: YCHENG					2022/09/13				
2 PLACES ±					0.13 ± 0.01					APPR: YCHENG					2022/09/13				
1 PLACE ±					0.25 ±					INITIAL REVISION:					DOCUMENT NUMBER				
0 PLACES ±										DRWN: DRWN BY					SD-73415-163				
ANGULAR TOL ± 2.0 °										APPR: APPR BY					DOC TYPE				
DRAFT WHERE APPLICABLE MUST REMAIN WITHIN DIMENSIONS					THIRD ANGLE PROJECTION					DRAWING					DOC PART				
					C-SIZE					SERIES					REVISION				
					73415					MATERIAL NUMBER					A10				
										CUSTOMER					SHEET NUMBER				
															3 OF 8				

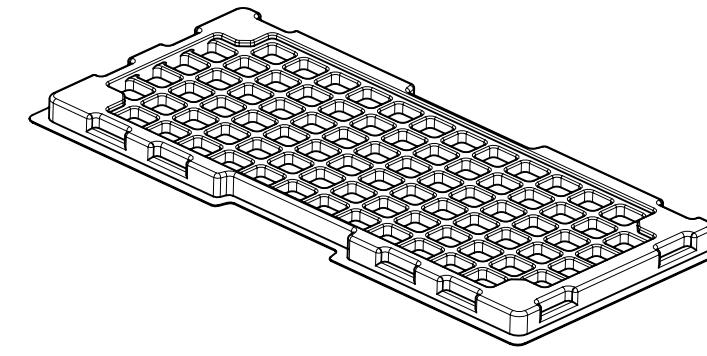
PART NO. 73415-1636
 13" REEL SIZE FOR 800 PIECES



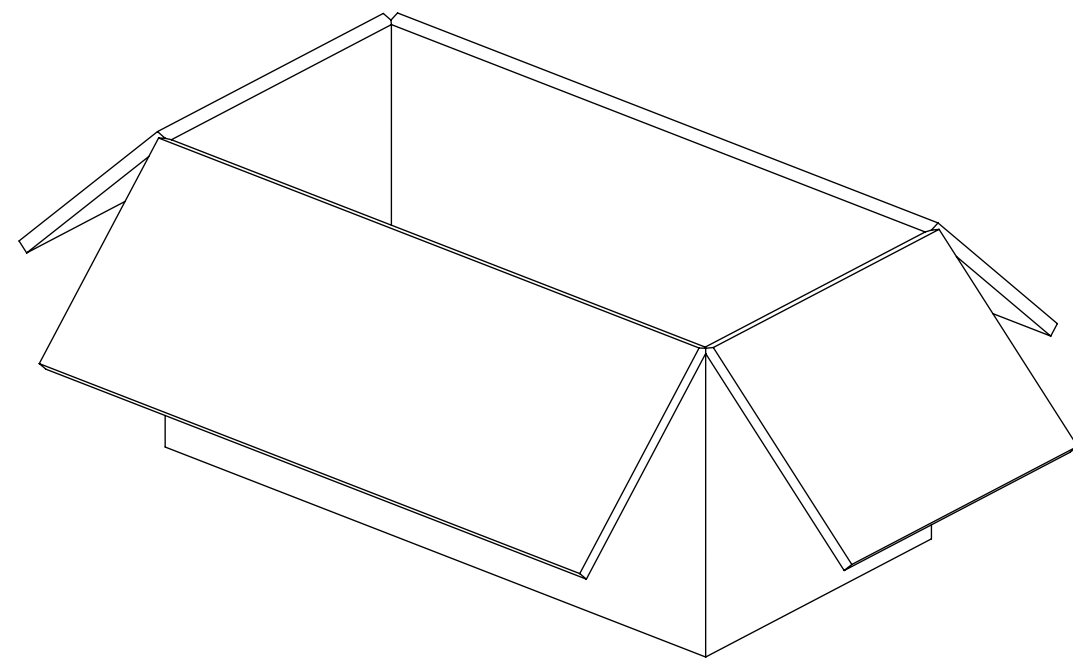
FUNCTIONAL SYMBOLS										THIS DRAWING CONTAINS INFORMATION THAT IS PROPRIETARY TO MOLEX ELECTRONIC TECHNOLOGIES, LLC AND SHOULD NOT BE USED WITHOUT WRITTEN PERMISSION									
DIMENSION UNITS					SCALE					CURRENT REV DESC:					 MCX JACK,PCB,SMT,75 OHMS MCX-J/PCB, EWR-11739 PRODUCT CUSTOMER DRAWING				
MM/INCH					NTS					EWR # 15426-A ADDED -1639 PART NO FOR TRAY PACKING									
GENERAL TOLERANCES (UNLESS SPECIFIED)										EC NO: 720547 DRWN: JSU18 CHK'D: YCHENG APPR: YCHENG									
4 PLACES ±					MM					INCH					2022/09/08				
3 PLACES ±					± 0.005										2022/09/13				
2 PLACES ±					0.13					± 0.01					2022/09/13				
1 PLACE ±					0.25					±					INITIAL REVISION:				
0 PLACES ±															DRWN: DRWN BY XXXX/XX/XX				
ANGULAR TOL ±					2.0 °										APPR: APPR BY XXXX/XX/XX				
DRAFT WHERE APPLICABLE MUST REMAIN WITHIN DIMENSIONS					THIRD ANGLE PROJECTION					DRAWING					SERIES				
										C-SIZE					73415				
DOCUMENT STATUS					P1					RELEASE DATE					2022/09/13 10:28:02				
DOCUMENT NUMBER					CUSTOMER					MATERIAL NUMBER					SHEET NUMBER				
SD-73415-163					PSD					001					A10				
4 OF 8																			



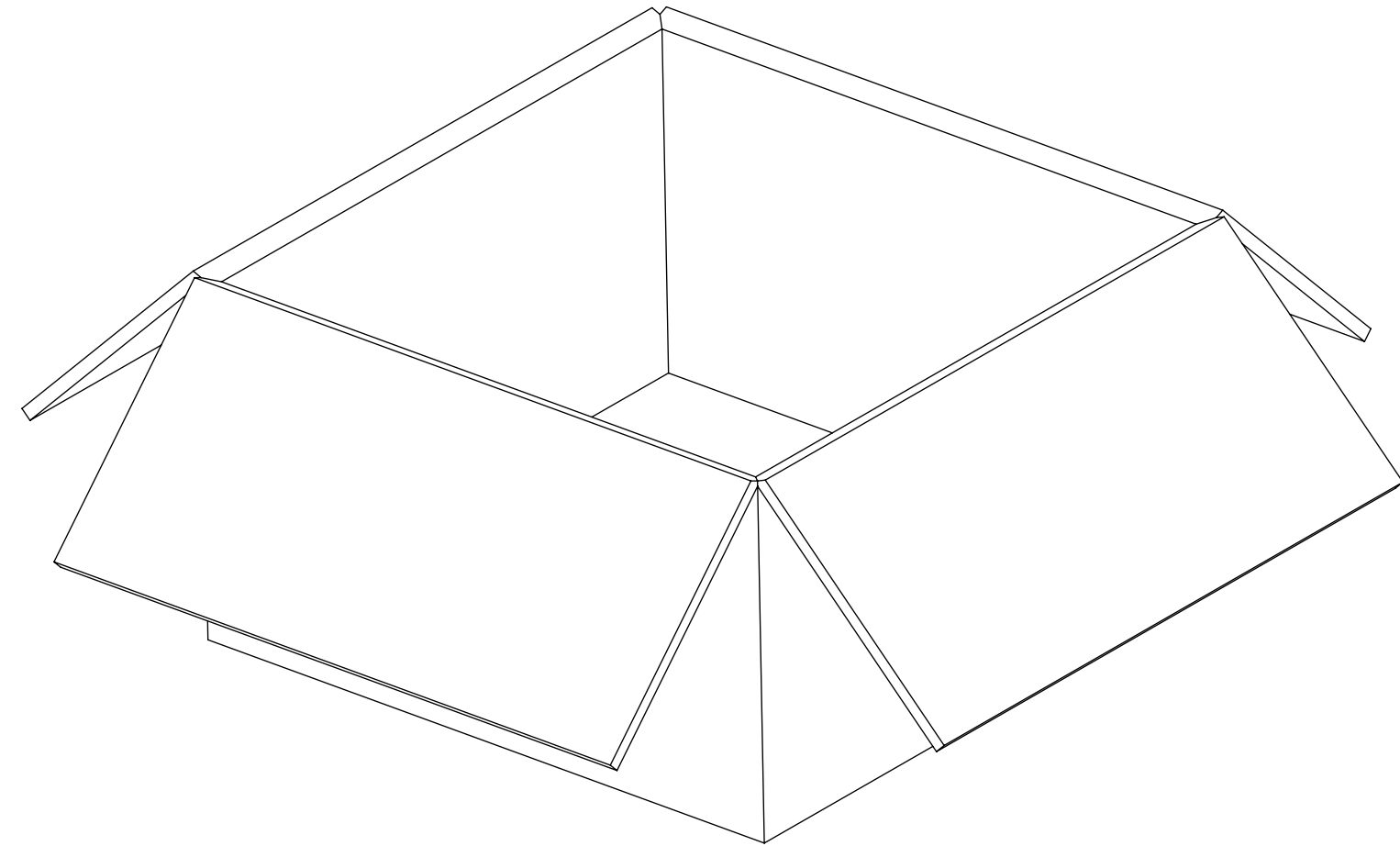
PART NO : 73415-1639



80 SET PER TRAY
P/N: 89707-0190



1600 SET PER INNER CARTON BOX
P/N: 96707-0001
L371mm X W184mm X D192mm



3200 SET PER OUTER CARTON BOX
P/N: 96708-0005
L394mm X W391mm X D212mm

FUNCTIONAL SYMBOLS	THIS DRAWING CONTAINS INFORMATION THAT IS PROPRIETARY TO MOLEX ELECTRONIC TECHNOLOGIES, LLC AND SHOULD NOT BE USED WITHOUT WRITTEN PERMISSION							
	DIMENSION UNITS		SCALE		CURRENT REV DESC:			
$\frac{F}{A} = 0$	MM/INCH		NTS		EWR # 15426-A ADDED -1639 PART NO FOR TRAY PACKING			
$\frac{F}{C} = 0$	GENERAL TOLERANCES (UNLESS SPECIFIED)						EC NO: 720547 DRWN: JSU18 2022/09/08 CHK'D: YCHENG 2022/09/13 APPR: YCHENG 2022/09/13	
$\frac{F}{P} = 0$		MM	INCH					
DIVISIONAL SYMBOLS	4 PLACES	±	±					
	3 PLACES	±	± 0.005					
	2 PLACES	± 0.13	± 0.01					
	1 PLACE	± 0.25	±					
	0 PLACES	±	±	INITIAL REVISION: DRWN: DRAWN BY 0099/99/99 APPR: APPR BY 0099/99/99				
	ANGULAR TOL	± 2.0 °						
DRAFT WHERE APPLICABLE MUST REMAIN WITHIN DIMENSIONS		THIRD ANGLE PROJECTION		DRAWING	SERIES	MATERIAL NUMBER	CUSTOMER	SHEET NUMBER
				C-SIZE	73415	SD-73415-163		5 OF 8

molex

MCX JACK,PCB,SMT,75 OHMS
MCX-J/PCB, EWR-11739

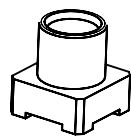
PRODUCT CUSTOMER DRAWING

DOCUMENT NUMBER
SD-73415-163

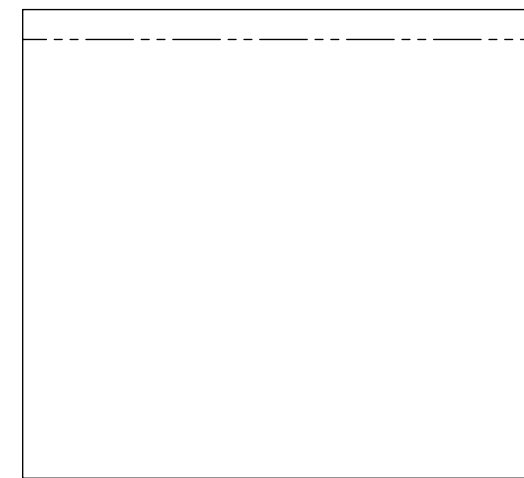
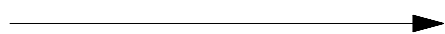
DOC TYPE
PSD

DOC PART
001

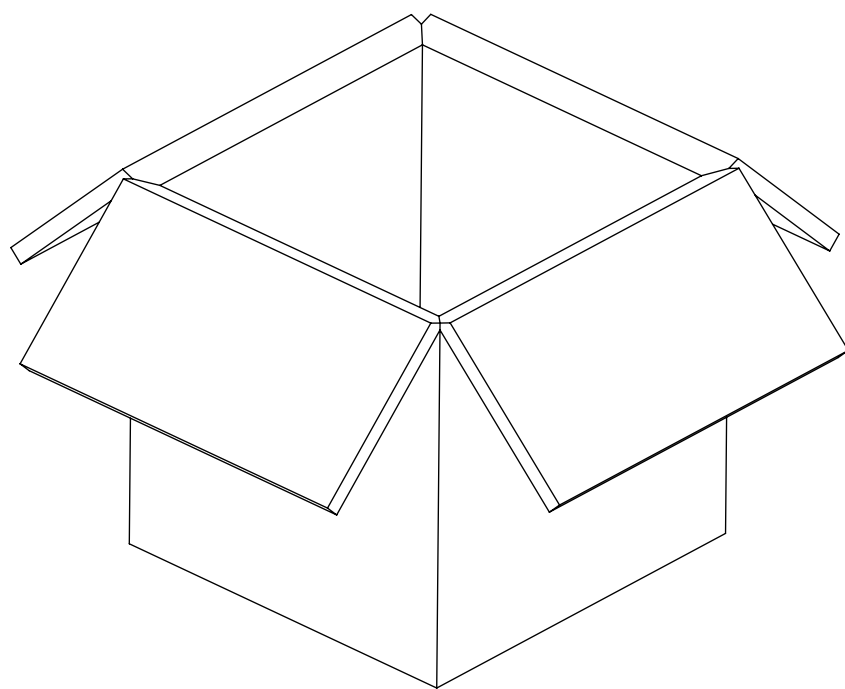
REVISION
A10



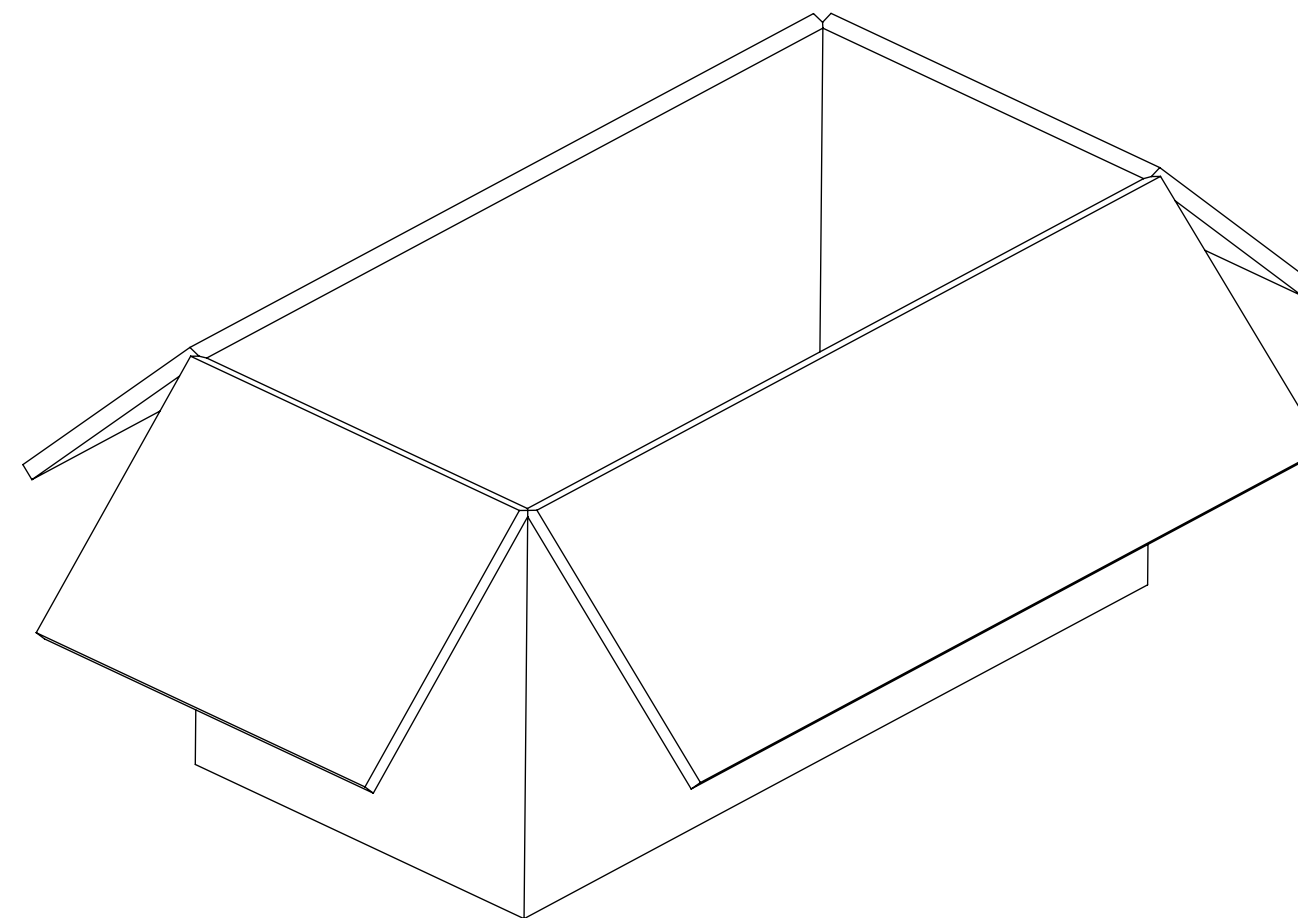
PART NO : 73415-1630
PART NO : 73415-1631



100 SETS PER POLY BAG
P/N: 89707-0001

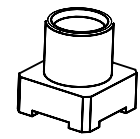


2000 SETS PER INNER
CARTON BOX
P/N: 96707-0005
DIMENSION: 176X173X176MM

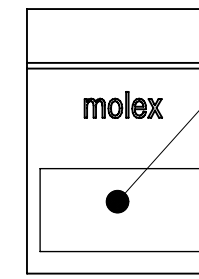
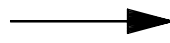


4000 SETS PER OUTER
CARTON BOX
P/N: 96707-0002
DIMENSION: 564X176X176MM

FUNCTIONAL SYMBOLS	THIS DRAWING CONTAINS INFORMATION THAT IS PROPRIETARY TO MOLEX ELECTRONIC TECHNOLOGIES, LLC AND SHOULD NOT BE USED WITHOUT WRITTEN PERMISSION									
	DIMENSION UNITS	SCALE		CURRENT REV DESC:			molex			
$\frac{F}{A} = 0$	MM/INCH	NTS		EC NO: 720547						
$\frac{F}{C} = 0$	GENERAL TOLERANCES (UNLESS SPECIFIED)			DRWN: JSU18 2022/09/08			MCX JACK,PCB,SMT,75 OHMS MCX-J/PCB, EWR-11739			
$\frac{F}{P} = 0$		MM	INCH	CHK'D: YCHENG 2022/09/13						
DIVISIONAL SYMBOLS	4 PLACES	±	±	APPR: YCHENG 2022/09/13			PRODUCT CUSTOMER DRAWING			
	3 PLACES	±	± 0.005	INITIAL REVISION:						
	2 PLACES	± 0.13	± 0.01	DRWN: DRAWN BY 0099/99/99						
	1 PLACE	± 0.25	±	APPR: APPR BY 0099/99/99						
	0 PLACES	±	±	DRAFT WHERE APPLICABLE MUST REMAIN WITHIN DIMENSIONS						
ANGULAR TOL		± 2.0 °	THIRD ANGLE PROJECTION		DRAWING	SERIES	DOCUMENT NUMBER	DOC TYPE	DOC PART	REVISION
					C-SIZE	73415	SD-73415-163	PSD	001	A10
DOCUMENT STATUS		P1	RELEASE DATE	2022/09/13	10:28:02	MATERIAL NUMBER		CUSTOMER		SHEET NUMBER
										6 OF 8

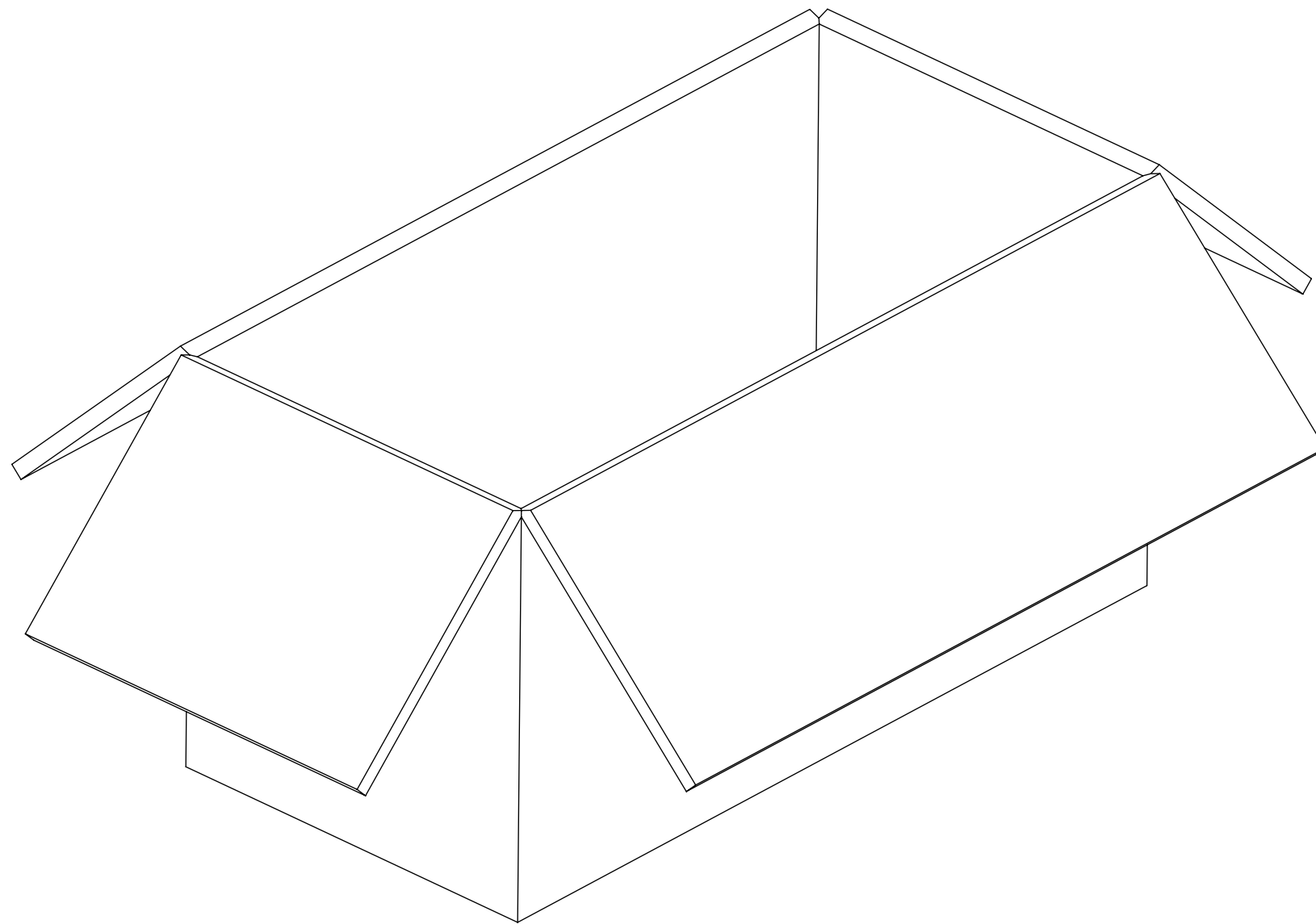


PART NO : 73415-1634

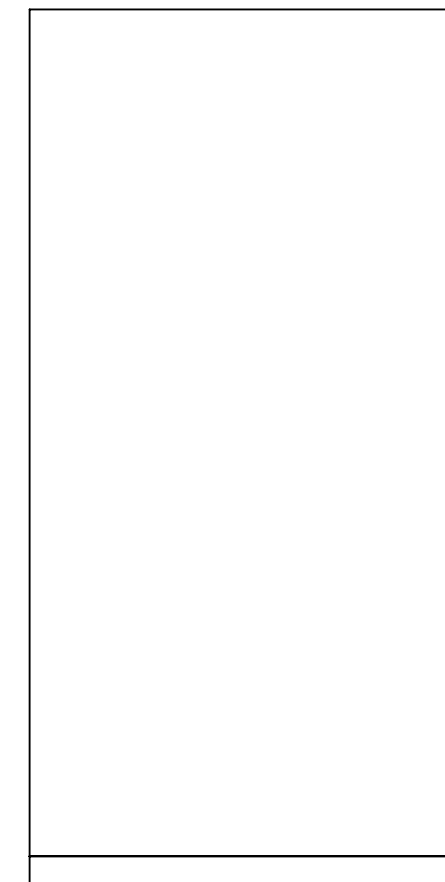
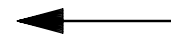


LABEL WITH EACH BAG
PART NUMBER
ORDER NUMBER
MOLEX
DATE: YYWW

ONE SET PER ZIPPER BAG
P/N: 89707-0317

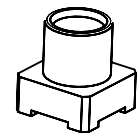


500 SETS PER CARTON BOX
P/N: 96707-0002
DIMENSION: 564X176X176MM

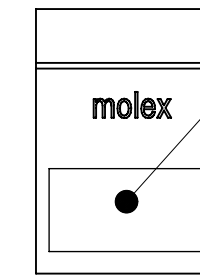
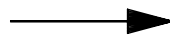


50 SETS PER BAG
P/N: 89707-0174

FUNCTIONAL SYMBOLS	THIS DRAWING CONTAINS INFORMATION THAT IS PROPRIETARY TO MOLEX ELECTRONIC TECHNOLOGIES, LLC AND SHOULD NOT BE USED WITHOUT WRITTEN PERMISSION													
	DIMENSION UNITS		SCALE		CURRENT REV DESC:						molex			
$\frac{F}{A} = 0$	MM/INCH	NTS		EWR # 15426-A ADDED -1639 PART NO FOR TRAY PACKING										
$\frac{F}{C} = 0$	GENERAL TOLERANCES (UNLESS SPECIFIED)			EC NO: 720547 DRWN: JSU18 2022/09/08 CHK'D: YCHENG 2022/09/13 APPR: YCHENG 2022/09/13						MCX JACK,PCB,SMT,75 OHMS MCX-J/PCB, EWR-11739				
$\frac{F}{P} = 0$		MM	INCH											
DIVISIONAL SYMBOLS	4 PLACES	±	±	INITIAL REVISION: DRWN: DRAWN BY 0099/99/99 APPR: APPR BY 0099/99/99						PRODUCT CUSTOMER DRAWING				
	3 PLACES	±	± 0.005											
	2 PLACES	± 0.13	± 0.01							DOCUMENT NUMBER		DOC TYPE	DOC PART	REVISION
	1 PLACE	± 0.25	±							SD-73415-163		PSD	001	A10
	0 PLACES	±	±	DRAFT WHERE APPLICABLE MUST REMAIN WITHIN DIMENSIONS		THIRD ANGLE PROJECTION		DRAWING	SERIES	MATERIAL NUMBER	CUSTOMER	SHEET NUMBER		
						C-SIZE		73415				7 OF 8		

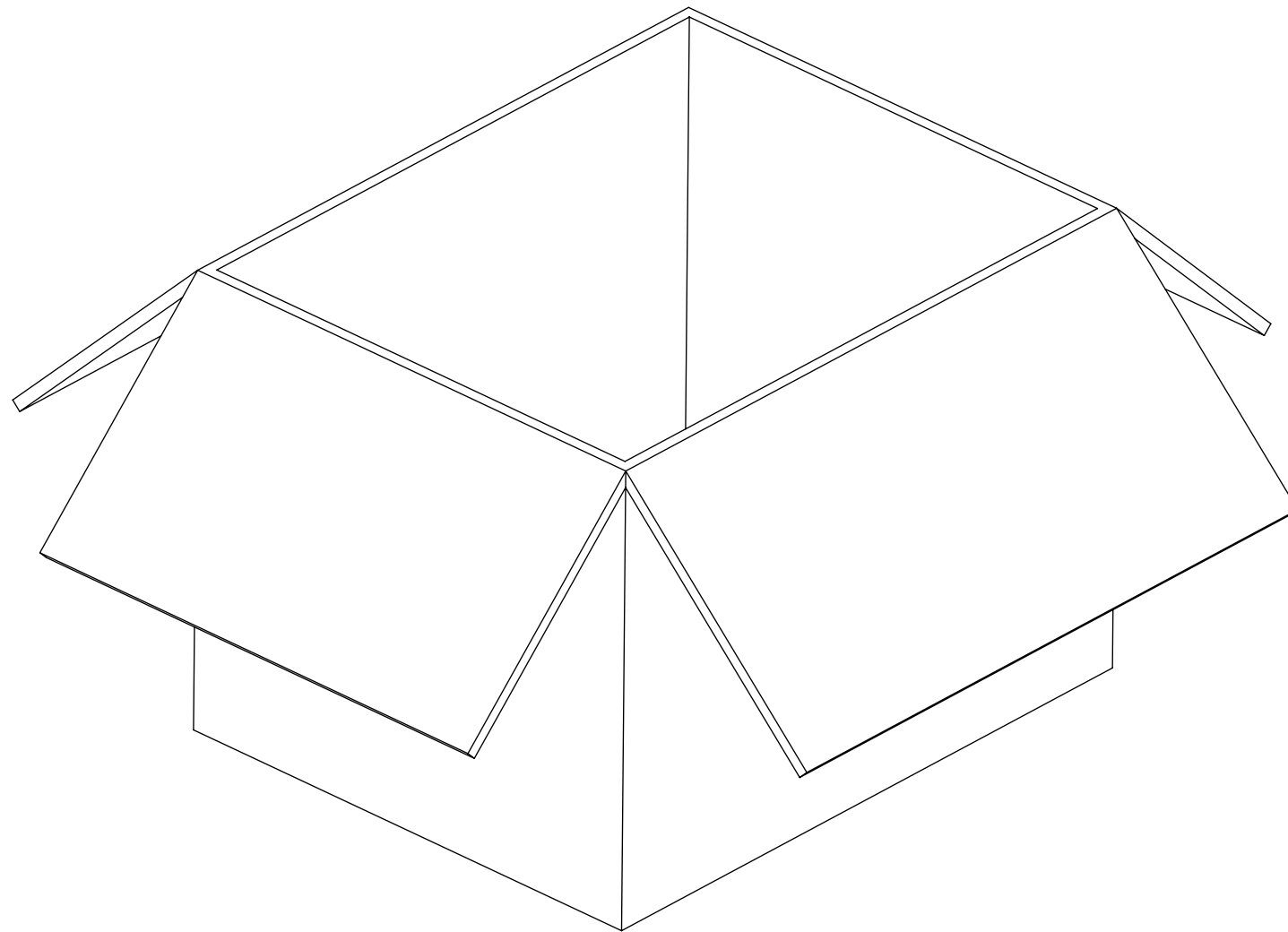
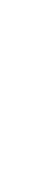


PART NO : 73415-1635

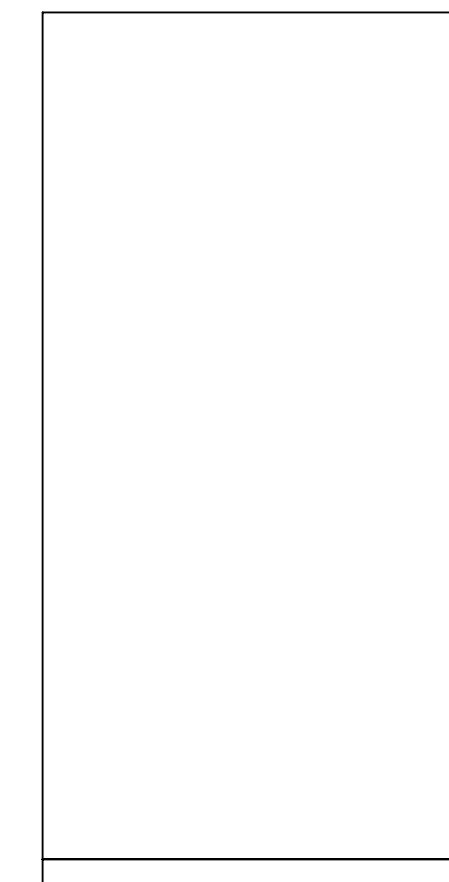


LABEL WITH EACH BAG
 PART NUMBER
 ORDER NUMBER
 MOLEX
 DATE: YYWW

ONE SET PER ZIPPER BAG
 P/N: 89707-0317



500 SETS PER CARTON BOX
 P/N: 89499-9027
 DIMENSION: 267X215X260MM



50 SETS PER BAG
 P/N: 89707-0174

FUNCTIONAL SYMBOLS	THIS DRAWING CONTAINS INFORMATION THAT IS PROPRIETARY TO MOLEX ELECTRONIC TECHNOLOGIES, LLC AND SHOULD NOT BE USED WITHOUT WRITTEN PERMISSION											
	DIMENSION UNITS		SCALE		CURRENT REV DESC:				molex			
$\frac{F}{A} = 0$	MM/INCH	NTS		EWR # 15426-A ADDED -1639 PART NO FOR TRAY PACKING								
$\frac{F}{C} = 0$	GENERAL TOLERANCES (UNLESS SPECIFIED)				EC NO: 720547				MCX JACK,PCB,SMT,75 OHMS MCX-J/PCB, EWR-11739			
$\frac{F}{P} = 0$	4 PLACES		±	±	DRWN: JSU18 2022/09/08							
DIVISIONAL SYMBOLS	3 PLACES		±	± 0.005	CHK'D: YCHENG 2022/09/13				PRODUCT CUSTOMER DRAWING			
	2 PLACES		± 0.13	± 0.01	APPR: YCHENG 2022/09/13							
	1 PLACE		± 0.25	±	INITIAL REVISION:				DOCUMENT NUMBER SD-73415-163			
	0 PLACES		±	±	DRWN: DRAWN BY 0099/99/99						DOC TYPE	DOC PART
ANGULAR TOL ± 2.0 °				THIRD ANGLE PROJECTION		DRAWING		SERIES		MATERIAL NUMBER	CUSTOMER	SHEET NUMBER
DRAFT WHERE APPLICABLE MUST REMAIN WITHIN DIMENSIONS						C-SIZE		73415				8 OF 8

DOCUMENT STATUS	P1	RELEASE DATE	2022/09/13	10:28:02
-----------------	----	--------------	------------	----------