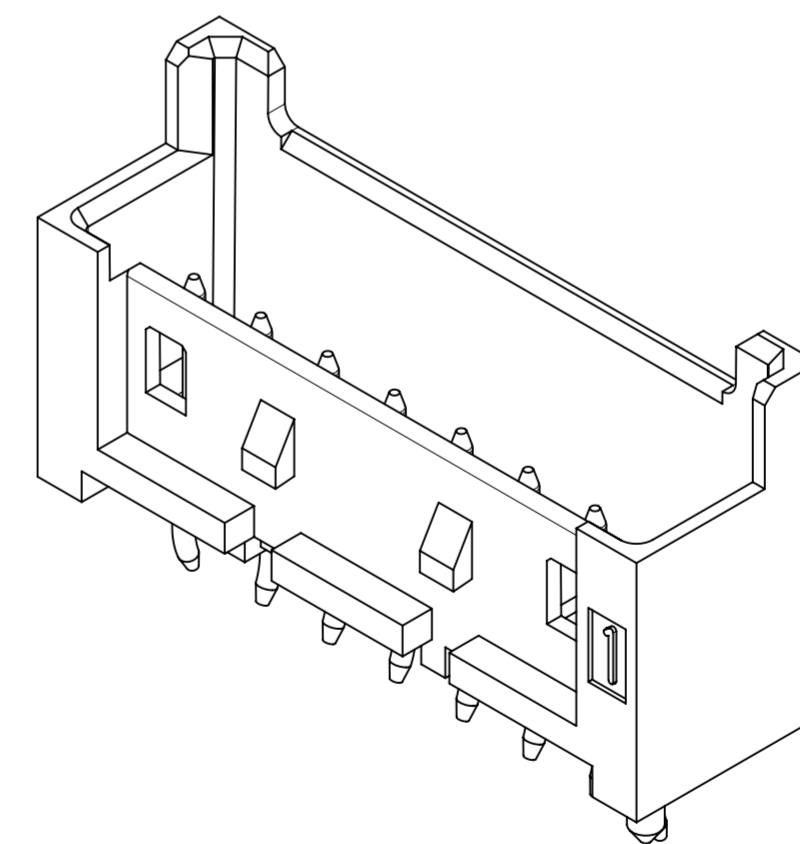


NOTES

1. 材料及び仕上げ(めっき仕様) : TABLE 1参照
MATERIAL AND FINISHES : SEE TABLE 1
2. 製品仕様書 : 511630000-PS 000
PRODUCT SPECIFICATION:511630000-PS 000
3. 梱包仕様書 : 533759200-SPK 200
PACKAGING SPECIFICATION: 533759200-SPK 200
4. 嵌合相手 : 51163 シリーズ
MATES WITH:51163 SERIES
5. アプリケーション仕様書(コネクタ取扱い説明書) : 2166940000-AS PS 000
APPLICATION SPECIFICATION(CONNECTOR MANUAL) : 2166940000-AS PS 000
6. 偶数極に適合
APPLY FOR EVEN CIRCUIT
7. 3極以上のキンク形状は両サイドが (A)、その他の極はすべて (B) 形状とする
KINK FORM
MORE THAN 2 CIRCUIT :
PINS AT BOTH ENDS ARE KINK FORMED TO (A).
THE OTHER PINS ARE KINK FORMED TO (B).

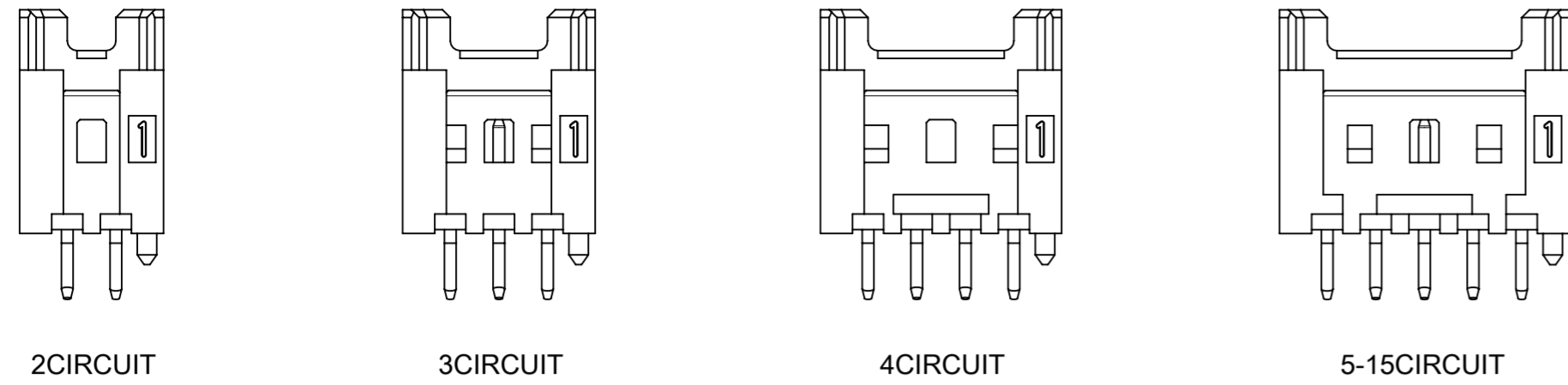


			HOUSING COLOR	
			NATURAL(WHITE)	
38.2	35	39.9	533751510	15
35.7	32.5	37.4	533751410	14
33.2	30	34.9	533751310	13
30.7	27.5	32.4	533751210	12
28.2	25	29.9	533751110	11
25.7	22.5	27.4	533751010	10
23.2	20	24.9	533750910	9
20.7	17.5	22.4	533750810	8
18.2	15	19.9	533750710	7
15.7	12.5	17.4	533750610	6
13.2	10	14.9	533750510	5
10.7	7.5	12.4	533750410	4
8.2	5	9.9	533750310	3
5.7	2.5	7.4	533750210	2
C	B	A	発注番号 ORDER No. 梱包形態 : ポリ袋 PACKAGE:POLY BAG	極数 CIRCUIT SIZE

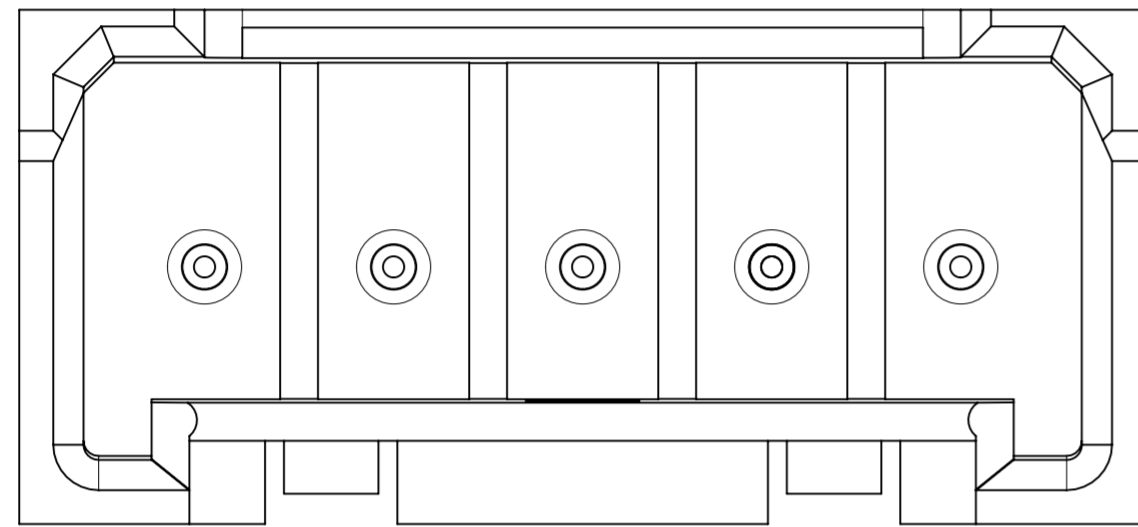
TABLE 1

部品 PART	材料 MATERIAL			
① プラグハウジング PLUG HOUSING	ポリエステル ガラス含有 UL94 V-0 色 : ナチュラル(白) POLYESTER(PBT),GLASS FILLED,UL94 V-0,COLOR:NATURAL(WHITE)			
② プラグピン PLUG PIN	りん青銅 PHOSPHOR BRONZE			
	錫めっき : 1.0MICRO METER MINIMUM. TIN PLATING : 1.0MICRO METER MINIMUM.			
	銅めっき(下地めっき):0.5MICRO METER MINIMUM COPPER PLATING(UNDER PLATING):0.5MICRO METER MINIMUM.			
DOCUMENT STATUS	P1	RELEASE DATE	2021/04/06	06:45:31

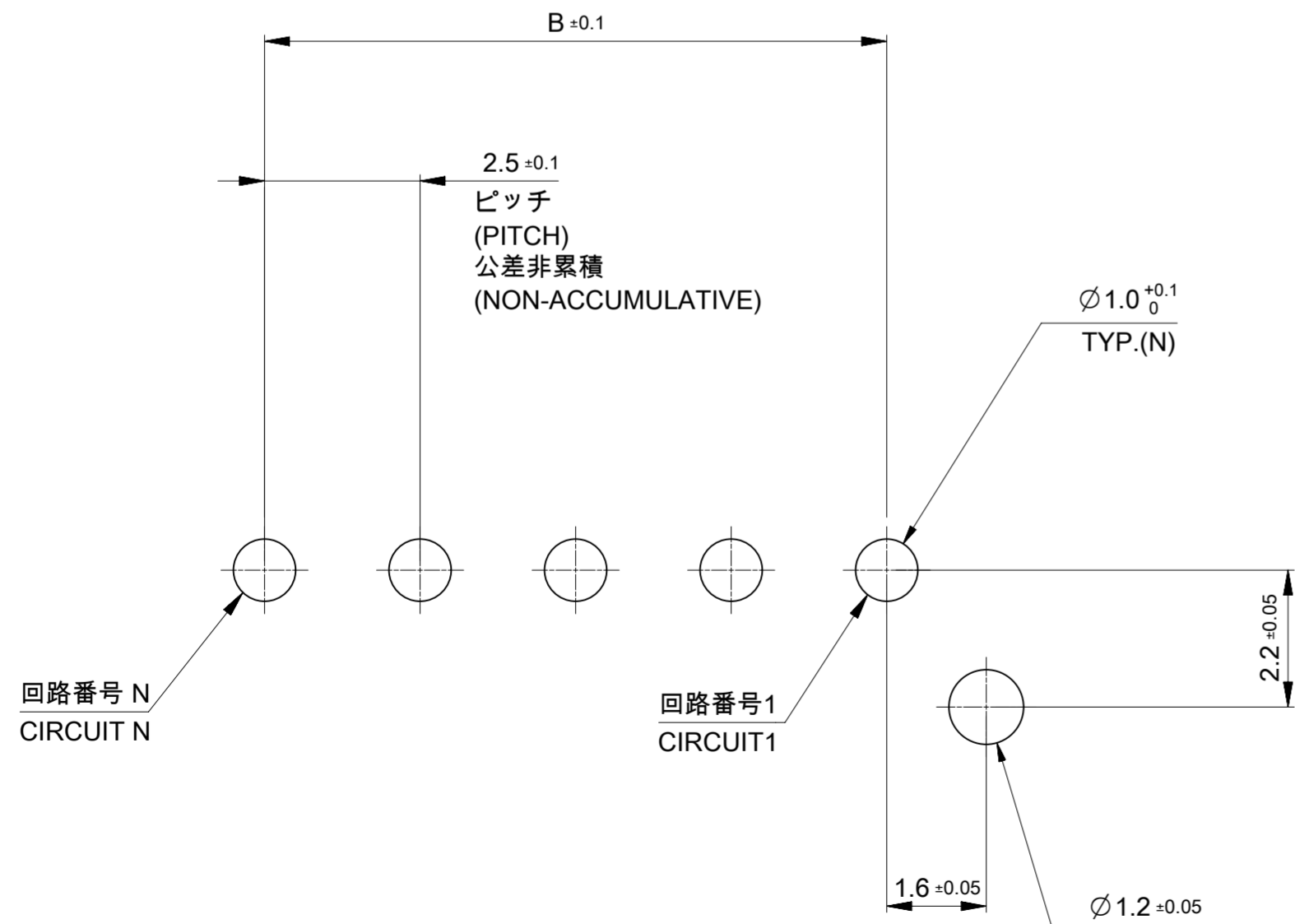
THIS DRAWING CONTAINS INFORMATION THAT IS PROPRIETARY TO MOLEX ELECTRONIC TECHNOLOGIES, LLC AND SHOULD NOT BE USED WITHOUT WRITTEN PERMISSION									
DIMENSION UNITS		SCALE		CURRENT REV DESC:					
mm		NTS							
GENERAL TOLERANCES (UNLESS SPECIFIED)									
ANGULAR TOL ± 3.0°				EC NO: 659548					
4 PLACES ± 0.2		DRWN: RWATANABE01		2021/03/30					
3 PLACES ± 0.2		CHK'D: AIDA		2021/04/06					
2 PLACES ± 0.2		APPR: SAKIYAMA		2021/04/06					
1 PLACE ± 0.2		INITIAL REVISION:							
0 PLACES ± 0.2		DRWN: RWATANABE01		2019/05/24					
		APPR: SAKIYAMA		2020/09/28					
DRAFT WHERE APPLICABLE MUST REMAIN WITHIN DIMENSIONS				THIRD ANGLE PROJECTION		DRAWING		SERIES	
		A2-SIZE		53375		MATERIAL NUMBER		CUSTOMER	
						533750000-SD		GENERAL	
				DOCUMENT NUMBER		DOC TYPE		DOC PART	
						PSD		000	
								C	
								SHEET NUMBER	
								1 OF 2	



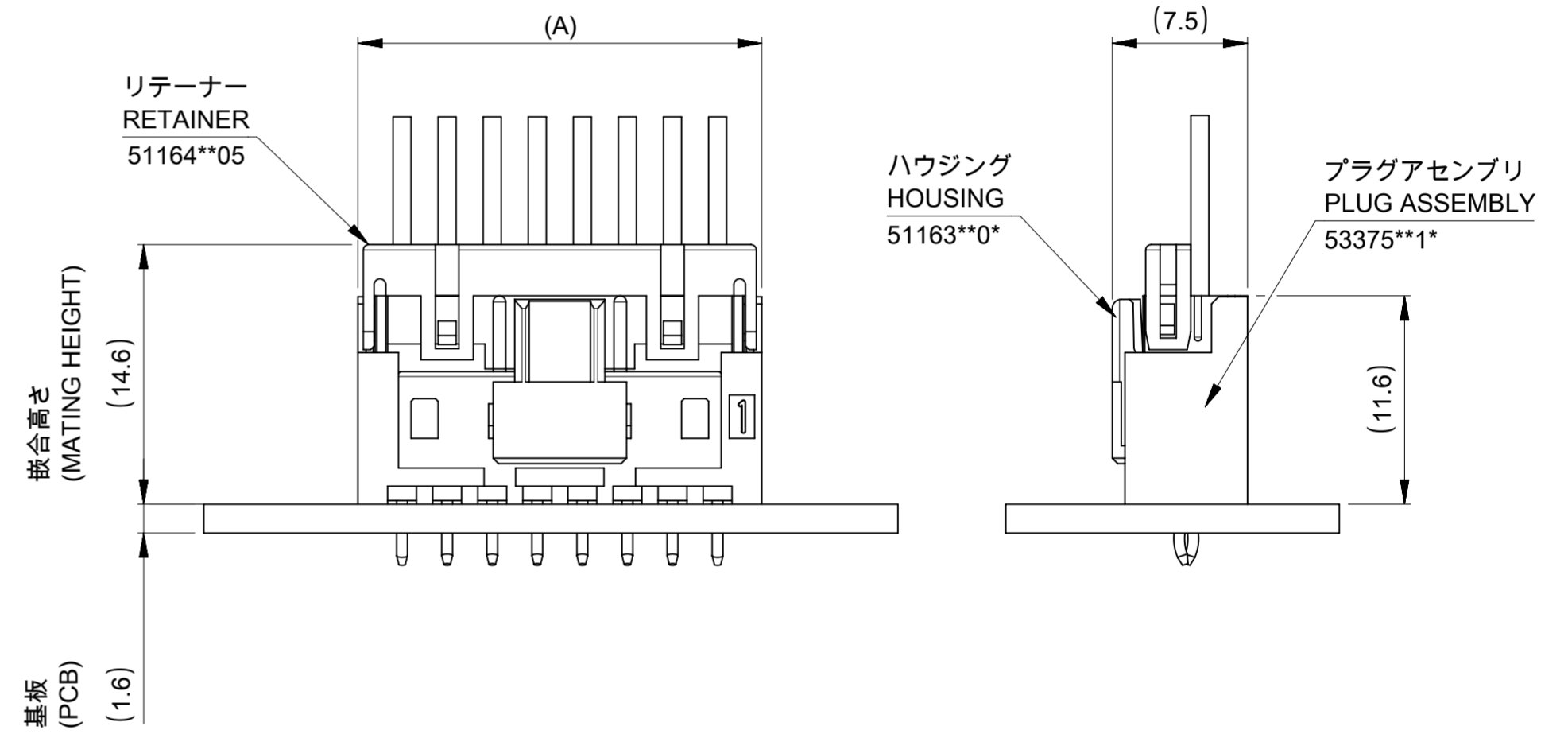
ロック形状図
LOCK CONFIGURATION



製品レイアウト
PRODUCT LAYOUT



基板取付穴推奨寸法(マウント面)
RECOMMENDED PCB HOLE DIMENSION
(MOUNTING SIDE), (t=1.6)



嵌合図
MATED CONNECTORS

THIS DRAWING CONTAINS INFORMATION THAT IS PROPRIETARY TO MOLEX ELECTRONIC TECHNOLOGIES, LLC AND SHOULD NOT BE USED WITHOUT WRITTEN PERMISSION																																					
DIMENSION UNITS		SCALE		CURRENT REV DESC:																																	
mm		NTS		<table border="1"> <tr> <td colspan="4">molex</td> </tr> <tr> <td colspan="4">MINI-LOCK 2.5 W/B SINGLE ROW VERTICAL PLUG ASSEMBLY</td> </tr> <tr> <td colspan="4">PRODUCT CUSTOMER DRAWING</td> </tr> <tr> <td>DOCUMENT NUMBER</td> <td>DOC TYPE</td> <td>DOC PART</td> <td>REVISION</td> </tr> <tr> <td>533750000-SD</td> <td>PSD</td> <td>000</td> <td>C</td> </tr> <tr> <td>MATERIAL NUMBER</td> <td>CUSTOMER</td> <td colspan="2">SHEET NUMBER</td> </tr> <tr> <td>53375</td> <td>GENERAL</td> <td colspan="2">2 OF 2</td> </tr> </table>						molex				MINI-LOCK 2.5 W/B SINGLE ROW VERTICAL PLUG ASSEMBLY				PRODUCT CUSTOMER DRAWING				DOCUMENT NUMBER	DOC TYPE	DOC PART	REVISION	533750000-SD	PSD	000	C	MATERIAL NUMBER	CUSTOMER	SHEET NUMBER		53375	GENERAL	2 OF 2	
molex																																					
MINI-LOCK 2.5 W/B SINGLE ROW VERTICAL PLUG ASSEMBLY																																					
PRODUCT CUSTOMER DRAWING																																					
DOCUMENT NUMBER	DOC TYPE	DOC PART	REVISION																																		
533750000-SD	PSD	000	C																																		
MATERIAL NUMBER	CUSTOMER	SHEET NUMBER																																			
53375	GENERAL	2 OF 2																																			
GENERAL TOLERANCES (UNLESS SPECIFIED)				EC NO: 659548		2021/03/30																															
ANGULAR TOL ± 3.0°				4 PLACES ± 0.2		DRWN: RWATANABE01		2021/04/06																													
				3 PLACES ± 0.2		CHK'D: AIDA		2021/04/06																													
				2 PLACES ± 0.2		APPR: SAKIYAMA		2021/04/06																													
				1 PLACE ± 0.2		INITIAL REVISION:																															
				0 PLACES ± 0.2		DRWN: RWATANABE01		2019/05/24																													
						APPR: SAKIYAMA		2020/09/28																													
DRAFT WHERE APPLICABLE MUST REMAIN WITHIN DIMENSIONS				THIRD ANGLE PROJECTION		DRAWING		SERIES																													
				A2-SIZE		53375																															