

| HOUSING SIZE | CIRCUIT SIZE | DIM. A | DIM. B |
|--------------|--------------|--------|--------|
| 6            | 6            | 13.21  | 6.35   |
| 6            | 4            | 13.21  | 3.81   |
| 6            | 2            | 13.21  | 1.27   |
| 8            | 8            | 15.24  | 8.89   |
| 8            | 6            | 15.24  | 6.35   |

| "X"=NOT TOOLED | ASSEMBLY ITEM NO. | CONNECTOR SIZE | CIRCUIT SIZE | TERMINAL PLATING | TAPE & REEL PACKAGING No. | VOIDED CIRCUITS |
|----------------|-------------------|----------------|--------------|------------------|---------------------------|-----------------|
|                | 43743-6001        | 6              | 6            | A                | PK-70873-7001             | NA              |
| X              | 43743-6002        | 6              | 6            | B                |                           |                 |
| X              | 43743-6003        | 6              | 6            | C                |                           |                 |
|                | 43743-6101        | 6              | 4            | A                |                           |                 |
| X              | 43743-6102        | 6              | 4            | B                |                           |                 |
| X              | 43743-6103        | 6              | 4            | C                | PK-70873-7001             |                 |
|                | 43743-8101        | 8              | 8            | A                | PK-70873-7002             |                 |
| X              | 43743-8102        | 8              | 8            | B                |                           |                 |
| X              | 43743-8103        | 8              | 8            | C                |                           |                 |
| X              | 43743-8201        | 8              | 6            | A                |                           |                 |
| X              | 43743-8202        | 8              | 6            | B                |                           |                 |
| X              | 43743-8203        | 8              | 6            | C                |                           |                 |
| X              | 43743-8301        | 8              | 4            | A                |                           |                 |
| X              | 43743-8302        | 8              | 4            | B                |                           |                 |
| X              | 43743-8303        | 8              | 4            | C                | PK-70873-7002             |                 |
|                | 43743-6201        | 6              | 2            | A                | PK-70873-7001             |                 |
| X              | 43743-6202        | 6              | 2            | B                | PK-70873-7001             |                 |
| X              | 43743-6203        | 6              | 2            | C                | PK-70873-7001             | NA              |

NOTES:

1) MATERIAL:  
HOUSING & INSULATOR: NYLON(PA), GLASS FILLED, UL94V-0, COLOR: BLACK  
TERMINALS: PHOSPHOR BRONZE, 0.30 mm THICK  
FITTING NAILS: BRASS, 0.25 mm THICK

2) FINISH:  
TERMINALS:  
A = SELECT GOLD IN CONTACT AREA: 0.00127 mm MIN.,  
\*SELECT MATTE TIN IN PC TAIL AREA: 0.00254 mm MIN.,  
WITH OVERALL NICKEL UNDERPLATE: 0.00127 mm MIN.,  
B = SELECT GOLD IN CONTACT AREA: 0.00076mm MIN.,  
\*SELECT MATTE TIN IN PC TAIL AREA: 0.00254 mm MN.,  
WITH OVERALL NICKEL UNDERPLATE: 0.00127 mm MIN.,  
C = SELECT GOLD IN CONTACT AREA: 0.00038 mm MIN.,  
\*SELECT MATTE TIN IN PC TAIL AREA: 0.00254 mm MIN.,  
WITH OVERALL NICKEL UNDERPLATE: 0.00127 mm MIN..

FITTING NAILS:  
\*2.54 MICROMETER MATTE TIN OVER 1.27 MICROMETER NICKEL UNDERPLATE  
\*THE PRIMARY SHIPPING CARTON WILL BE LABELED "COMPLIANT TO RoHS DIRECTIVE 2002/95/EC AND ELV ANNEX II OF DIRECTIVE 2000/53/EC".  
CARTONS WITHOUT THIS LABEL MAY CONTAIN PRODUCT WITH TIN-LEAD IN THE PC TAILS AND/OR FITTING NAILS.

3) PRODUCT SPECIFICATION AND PROCESSING PARAMETERS: PS-43743-0001.

4) PACKAGING SPECIFICATION:  
CONNECTOR ASSEMBLIES TO BE PACKAGED USING TAPE & REEL SYSTEM.

5) COPLANARITY SPECIFICATION:  
WHEN AN ASSEMBLY IS PLACED UPON A LEVEL SURFACE, THE MAXIMUM GAP BETWEEN THE LEVEL SURFACE AND ALL TERMINAL TAILS AND BOTH FITTING NAILS IS 0.15 mm.

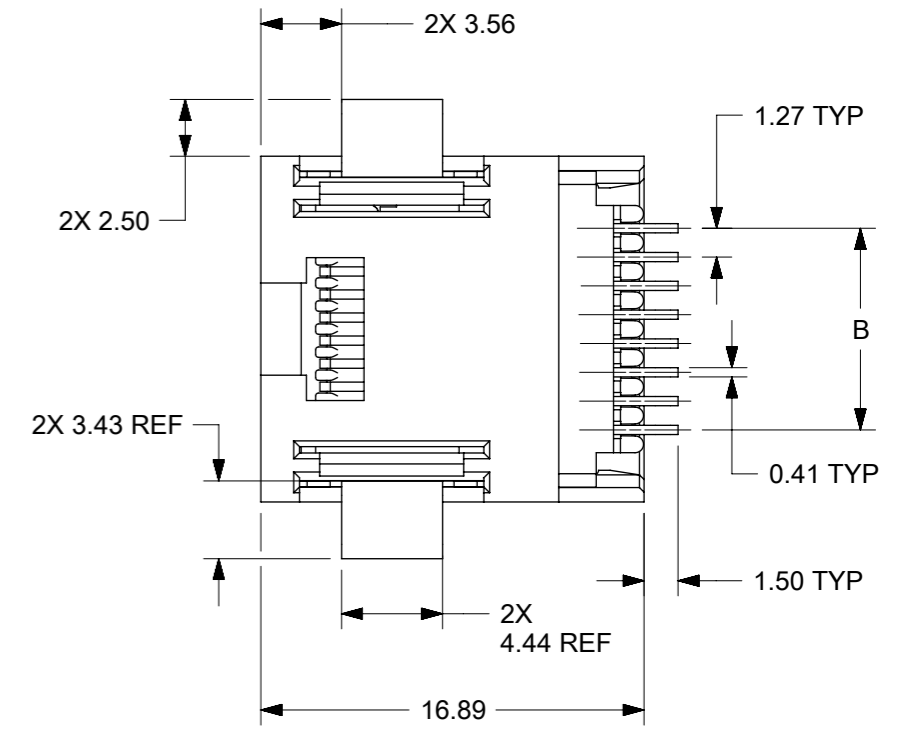
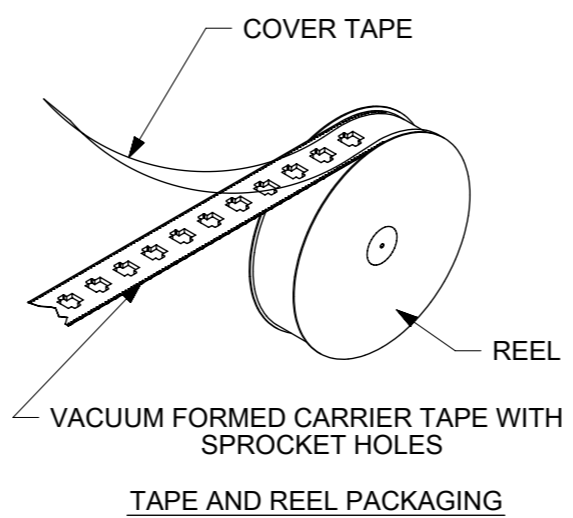
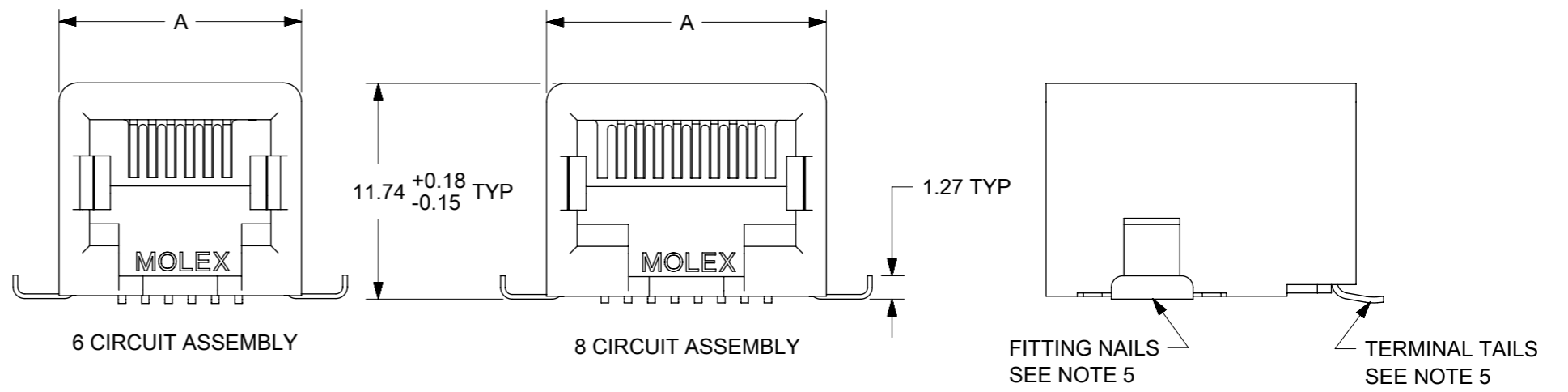
6) FOR ASSEMBLIES HAVING VOIDED CIRCUITS, THE TAIL PORTION IS CUT AND REMOVED. THE MATING PORTION OF THE TERMINAL REMAINS INTACT. VOIDED CIRCUITS MUST BE THE SAME FOR BOTH PARTS.

7) CONFORMS TO FCC REGULATION PART 68.5 FOR MODULAR JACKS.

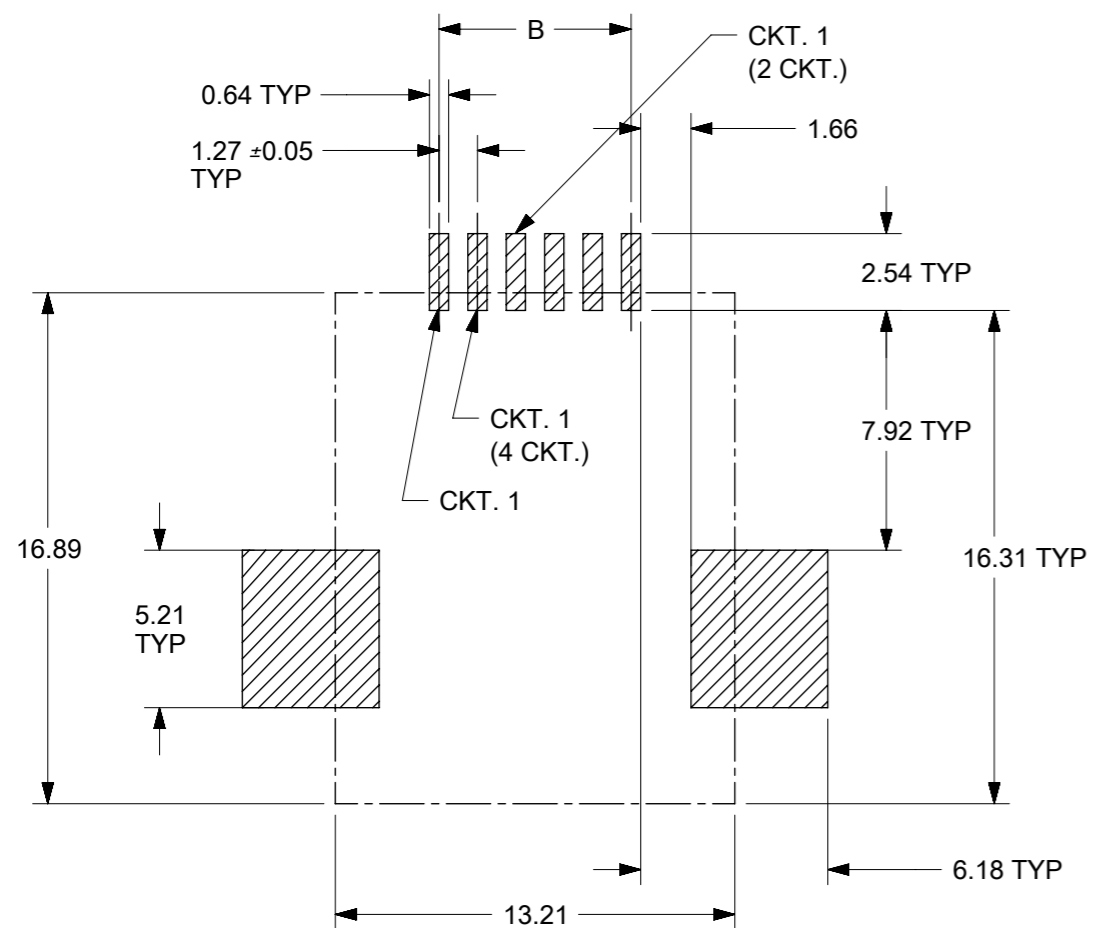
8) THIS PART CONFORMS TO CLASS B REQUIREMENTS OF COSMETIC SPECIFICATION PS-45499-002.

9) REBUILT FROM SDA-43743-xxxx.

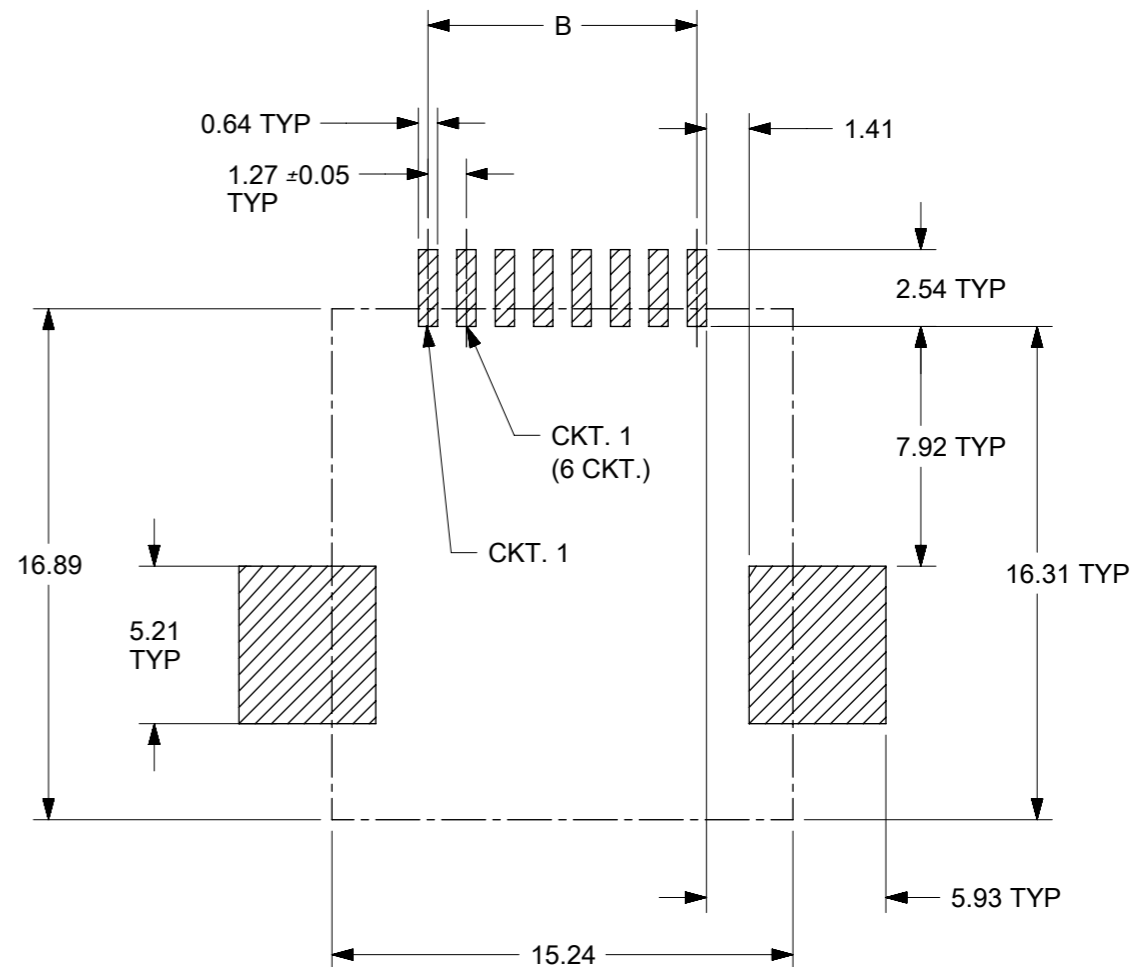
|                 |    |              |            |          |
|-----------------|----|--------------|------------|----------|
| DOCUMENT STATUS | P1 | RELEASE DATE | 2020/04/09 | 17:09:42 |
|-----------------|----|--------------|------------|----------|



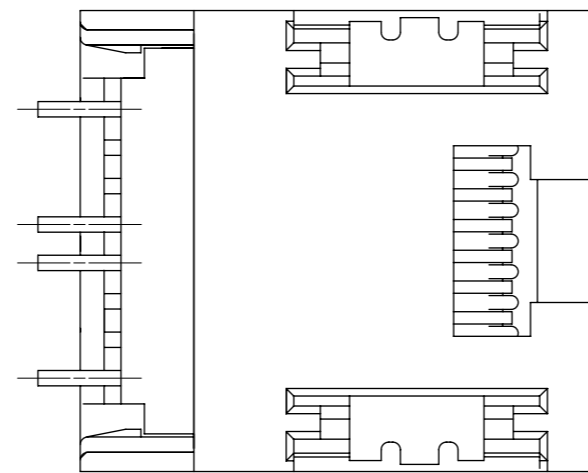
|         |   |        |                        |          |                            |
|---------|---|--------|------------------------|----------|----------------------------|
| SYMBOLS | THIS DRAWING CONTAINS INFORMATION THAT IS PROPRIETARY TO MOLEX ELECTRONIC TECHNOLOGIES, LLC AND SHOULD NOT BE USED WITHOUT WRITTEN PERMISSION |        | CURRENT REV DESC:      |          | <b>molex</b>               |
|         | DIMENSION UNITS   | SCALE  |                        |          |                            |
| ▽ = 0   | mm  | 3:1    |                        |          | SURFACE MOUNT MODULAR JACK |
| ▽ = 0   | GENERAL TOLERANCES (UNLESS SPECIFIED)   |        |                        |          |                            |
| ▽ = 0   | ANGULAR TOL ± 0.5°  |        |                        |          | PRODUCT CUSTOMER DRAWING   |
| ▽ = 0   | 4 PLACES  | ±      |                        |          |                            |
| ▽ = 0   | 3 PLACES  | ±      |                        |          | DOCUMENT NUMBER            |
| ▽ = 0   | 2 PLACES  | ± 0.25 |                        |          |                            |
| ▽ = 0   | 1 PLACE   | ± 0.36 |                        |          | 437438101                  |
| ▽ = 0   | 0 PLACES  | ±      |                        |          |                            |
| □ = 0   | DRAFT WHERE APPLICABLE MUST REMAIN WITHIN DIMENSIONS  |        | THIRD ANGLE PROJECTION | DRAWING  | SERIES                     |
| ▽ = 0   |   |        | A3-SIZE                | 43743    | MATERIAL NUMBER            |
|         |   |        | SEE TABLE              | CUSTOMER | SHEET NUMBER               |
|         |   |        |                        |          | 1 OF 2                     |



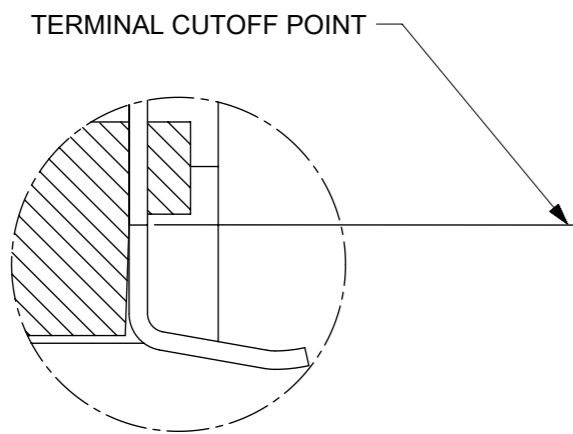
PC BOARD LAYOUT FOR  
6 POSITION HOUSING  
(COMPONENT SIDE OF BOARD)



PC BOARD LAYOUT FOR  
8 POSITION HOUSING  
(COMPONENT SIDE OF BOARD)



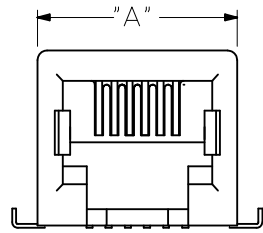
TYPICAL VIEW SHOWING VOIDED CIRCUIT  
(CIRCUITS 2,3,6 & 7 SHOWN VOIDED)



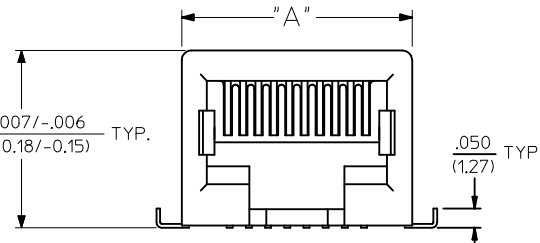
VIEW SHOWING TYPICAL TERMINAL  
CUTOFF OF TAIL (SEE NOTE 5) FOR VOIDED CIRCUITS.

|   |  |                        |  |         |  |  |            |                                |  |
|---|--|------------------------|--|---------|--|--|------------|--------------------------------|--|
| THIS DRAWING CONTAINS INFORMATION THAT IS PROPRIETARY TO MOLEX ELECTRONIC TECHNOLOGIES, LLC AND SHOULD NOT BE USED WITHOUT WRITTEN PERMISSION |  |                        |  |         |  |  |            |                                |  |
| SYMBOLS   |  | DIMENSION UNITS        |  | SCALE   |  | CURRENT REV DESC:  |            |                                |  |
| ▽ = 0   | mm   | 1:1                    |  |         |  | <b>molex</b><br>SURFACE MOUNT MODULAR JACK<br>PRODUCT CUSTOMER DRAWING |            |                                |  |
| ▽ = 0   | GENERAL TOLERANCES (UNLESS SPECIFIED)                |                        |  |         |  |  |            |                                |  |
| ▽ = 0   | ANGULAR TOL ± 0.5°                                   |                        |  |         |  |  |            |                                |  |
| ▽ = 0   | 4 PLACES   | ±                      |  |         |  | EC NO: 635599  |            |                                |  |
| ▽ = 0   | 3 PLACES   | ±                      |  |         |  | DRWN: AFENG02  | 2020/04/09 |                                |  |
| ▽ = 0   | 2 PLACES   | ± 0.25                 |  |         |  | CHK'D: KLANG   | 2020/04/09 |                                |  |
| ▽ = 0   | 1 PLACE  | ± 0.36                 |  |         |  | APPR: KLANG  | 2020/04/09 |                                |  |
| ▽ = 0   | 0 PLACES   | ±                      |  |         |  | INITIAL REVISION:  |            |                                |  |
| □ = 0   | DRAFT WHERE APPLICABLE MUST REMAIN WITHIN DIMENSIONS |                        |  |         |  | DRWN: VK10   | 2017/12/04 |                                |  |
| ▽ = 0   |  |                        |  |         |  | APPR: KLANG  | 2018/03/23 |                                |  |
|   |  | THIRD ANGLE PROJECTION |  | DRAWING |  | SERIES   |            | MATERIAL NUMBER                |  |
|   |  | A3-SIZE                |  | 43743   |  | SEE TABLE  |            | CUSTOMER                       |  |
|   |  |                        |  |         |  | DOCUMENT NUMBER  |            | DOC TYPE   DOC PART   REVISION |  |
|   |  |                        |  |         |  | 437438101  |            | PSD   000   H2                 |  |
|   |  |                        |  |         |  | SHEET NUMBER   |            | 2 OF 2                         |  |

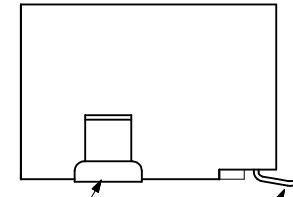
| HOUSING SIZE | CIRCUIT SIZE | DIM. A          | DIM. B         |
|--------------|--------------|-----------------|----------------|
| 6            | 6            | .520<br>(13.21) | .250<br>(6.35) |
| 6            | 4            | .520<br>(13.21) | .150<br>(3.81) |
| 6            | 2            | .520<br>(13.21) | .050<br>(1.27) |
| 8            | 8            | .600<br>(15.24) | .350<br>(8.89) |
| 8            | 6            | .600<br>(15.24) | .250<br>(6.35) |



6 CIRCUIT ASSEMBLY



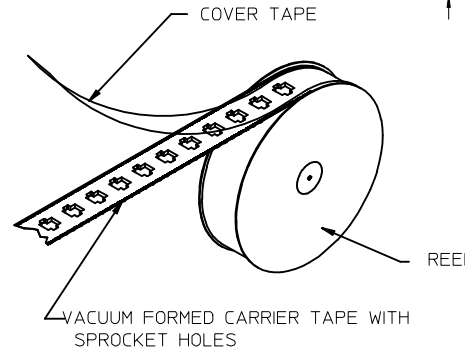
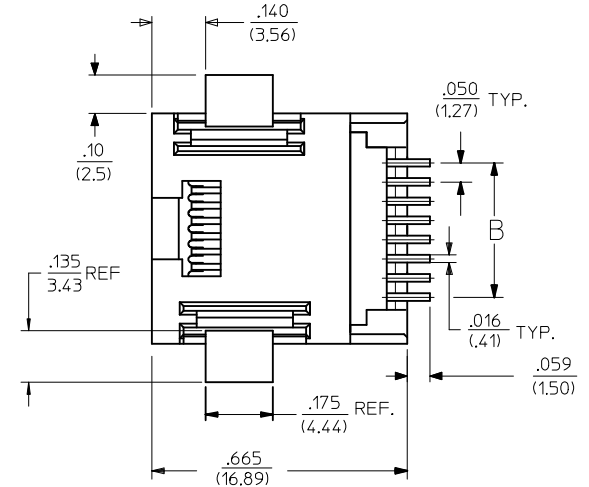
8 CIRCUIT ASSEMBLY



FITTING NAILS  
SEE NOTE 5

TERMINAL TAILS  
SEE NOTE 5

| *X*=NOT TOOLED | ASSEMBLY ITEM NO. | CONNECTOR SIZE | CIRCUIT SIZE | TERMINAL PLATING | TAPE & REEL PACKAGING No. | VOIDED CIRCUITS |
|----------------|-------------------|----------------|--------------|------------------|---------------------------|-----------------|
|                | 43743-6001        | 6              | 6            | A                | PK-70873-7001             | NA              |
| X              | 43743-6002        | 6              | 6            | B                |                           |                 |
| X              | 43743-6003        | 6              | 6            | C                |                           |                 |
|                | 43743-6101        | 6              | 4            | A                |                           |                 |
| X              | 43743-6102        | 6              | 4            | B                |                           |                 |
| X              | 43743-6103        | 6              | 4            | C                | PK-70873-7001             |                 |
|                | 43743-8101        | 8              | 8            | A                | PK-70873-7002             |                 |
| X              | 43743-8102        | 8              | 8            | B                |                           |                 |
| X              | 43743-8103        | 8              | 8            | C                |                           |                 |
| X              | 43743-8201        | 8              | 6            | A                |                           |                 |
| X              | 43743-8202        | 8              | 6            | B                |                           |                 |
| X              | 43743-8203        | 8              | 6            | C                |                           |                 |
| X              | 43743-8301        | 8              | 4            | A                |                           |                 |
| X              | 43743-8302        | 8              | 4            | B                |                           |                 |
| X              | 43743-8303        | 8              | 4            | C                | PK-70873-7002             |                 |
|                | 43743-6201        | 6              | 2            | A                | PK-70873-7001             |                 |
| X              | 43743-6202        | 6              | 2            | B                | PK-70873-7001             |                 |
| X              | 43743-6203        | 6              | 2            | C                | PK-70873-7001             | NA              |



TAPE AND REEL PACKAGING

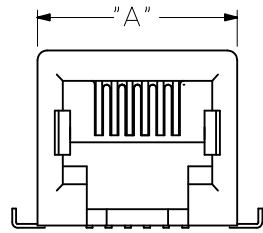
NOTES:

- MATERIAL:  
HOUSING & INSULATOR: NYLON(PA), GLASS FILLED, UL94V-0, COLOR: BLACK  
TERMINALS: PHOSPHOR BRONZE, .012/(0.30) THICK  
FITTING NAILS: BRASS, .010/(0.25) THICK
- FINISH:  
TERMINALS:  
A = SELECT GOLD IN CONTACT AREA: .000050/(0.00127) MIN.,  
\*SELECT MATTE TIN IN PC TAIL AREA: .000100/(0.00254) MN.,  
WITH OVERALL NICKEL UNDERPLATE: .000050/(0.00127) MIN.  
B = SELECT GOLD IN CONTACT AREA: .000030/(0.00076) MIN.,  
\*SELECT MATTE TIN IN PC TAIL AREA: .000100/(0.00254) MN.,  
WITH OVERALL NICKEL UNDERPLATE: .000050/(0.00127) MIN.  
C = SELECT GOLD IN CONTACT AREA: .000015/(0.00038) MIN.,  
\*SELECT MATTE TIN IN PC TAIL AREA: .000100/(0.00254) MN.,  
WITH OVERALL NICKEL UNDERPLATE: .000050/(0.00127) MIN.
- FITTING NAILS:  
\*100 MICROINCHES MATTE TIN OVER 50 MICROINCHES NICKEL UNDERPLATE  
\*THE PRIMARY SHIPPING CARTON WILL BE LABELED "COMPLIANT TO RoHS DIRECTIVE 2002/95/EC AND ELV ANNEX II OF DIRECTIVE 2000/53/EC". CARTONS WITHOUT THIS LABEL MAY CONTAIN PRODUCT WITH TIN-LEAD IN THE PC TAILS AND/OR FITTING NAILS.
- PRODUCT SPECIFICATION AND PROCESSING PARAMETERS: PS-43743-0001.
- PACKAGING SPECIFICATION:  
CONNECTOR ASSEMBLIES TO BE PACKAGED USING TAPE & REEL SYSTEM.
- COPLANARITY SPECIFICATION:  
WHEN AN ASSEMBLY IS PLACED UPON A LEVEL SURFACE, THE MAXIMUM GAP BETWEEN THE LEVEL SURFACE AND ALL TERMINAL TAILS AND BOTH FITTING NAILS IS .006/(0.15).
- FOR ASSEMBLIES HAVING VOIDED CIRCUITS, THE TAIL PORTION IS CUT AND REMOVED. THE MATING PORTION OF THE TERMINAL REMAINS INTACT. VOIDED CIRCUITS MUST BE THE SAME FOR BOTH PARTS.
- CONFORMS TO FCC REGULATION PART 68.5 FOR MODULAR JACKS.
- THIS PART CONFORMS TO CLASS B REQUIREMENTS OF COSMETIC SPECIFICATION PS-45499-002.

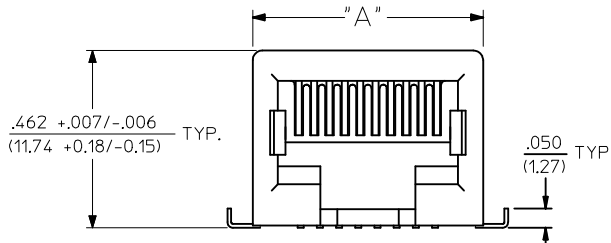
|     |     |
|-----|-----|
| 2   | H   |
| 1   | J3  |
| SHT | REV |

|  |                               |   |                                    |                                     |                      |                        |
|--|-------------------------------|---|------------------------------------|-------------------------------------|----------------------|------------------------|
| OBSOLETE PN<br>EC NO: UCP2017-0673<br>DRW:WAFENG02 2016/09/22<br>CHKD:<br>APPR:KLANG 2016/10/10<br>REV | QUALITY SYMBOLS<br>▽=0<br>▽=0 | GENERAL TOLERANCES (UNLESS SPECIFIED)   | DIMENSION STYLE<br>IN/MM           | SCALE<br>INCH                       | DESIGN UNITS<br>INCH | THIRD ANGLE PROJECTION |
|  |                               | mm INCH   | DRAWN BY DATE<br>PEARSON 6/18/96   | TITLE<br>SURFACE MOUNT MODULAR JACK |                      |                        |
|  |                               | 4 PLACES ± --- ± ---<br>3 PLACES ± --- ± .010<br>2 PLACES ± 0.25 ± .014<br>1 PLACE ± 0.36 ± ---                               | CHECKED BY DATE<br>PEARSON 6/18/96 | APPROVED BY DATE<br>EDGLEY 6/18/96  |                      |                        |
|  |                               | ANGULAR ± 1/2°  | MATERIAL NO.<br>SEE CHARTS         | DOCUMENT NO.<br>SDA-43743-****      | SHEET NO.<br>1 OF 2  |                        |
| DRAFT WHERE APPLICABLE MUST REMAIN WITHIN DIMENSIONS   |                               | THIS DRAWING CONTAINS INFORMATION THAT IS PROPRIETARY TO MOLEX INCORPORATED AND SHOULD NOT BE USED WITHOUT WRITTEN PERMISSION |                                    |                                     |                      |                        |

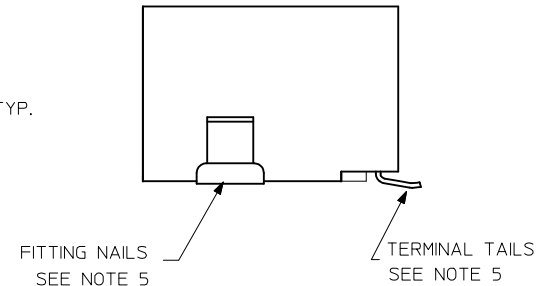
| HOUSING SIZE | CIRCUIT SIZE | DIM. A          | DIM. B         |
|--------------|--------------|-----------------|----------------|
| 6            | 6            | .520<br>(13.21) | .250<br>(6.35) |
| 6            | 4            | .520<br>(13.21) | .150<br>(3.81) |
| 6            | 2            | .520<br>(13.21) | .050<br>(1.27) |
| 8            | 8            | .600<br>(15.24) | .350<br>(8.89) |
| 8            | 6            | .600<br>(15.24) | .250<br>(6.35) |



6 CIRCUIT ASSEMBLY



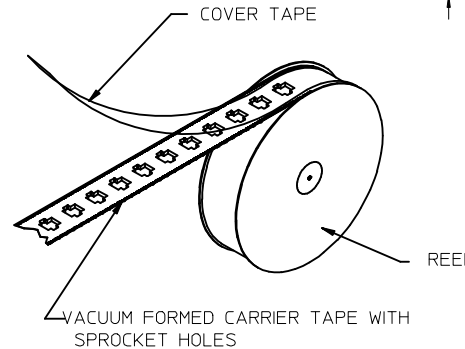
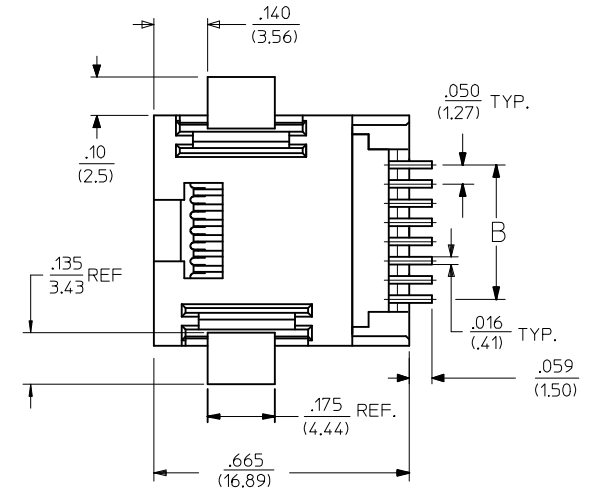
8 CIRCUIT ASSEMBLY



FITTING NAILS  
SEE NOTE 5

TERMINAL TAILS  
SEE NOTE 5

| *X*=NOT TOOLED | ASSEMBLY ITEM NO. | CONNECTOR SIZE | CIRCUIT SIZE | TERMINAL PLATING | TAPE & REEL PACKAGING No. | VOIDED CIRCUITS |
|----------------|-------------------|----------------|--------------|------------------|---------------------------|-----------------|
|                | 43743-6001        | 6              | 6            | A                | PK-70873-7001             | NA              |
| X              | 43743-6002        | 6              | 6            | B                |                           |                 |
| X              | 43743-6003        | 6              | 6            | C                |                           |                 |
|                | 43743-6101        | 6              | 4            | A                |                           |                 |
| X              | 43743-6102        | 6              | 4            | B                |                           |                 |
| X              | 43743-6103        | 6              | 4            | C                | PK-70873-7001             |                 |
|                | 43743-8101        | 8              | 8            | A                | PK-70873-7002             |                 |
| X              | 43743-8102        | 8              | 8            | B                |                           |                 |
| X              | 43743-8103        | 8              | 8            | C                |                           |                 |
| X              | 43743-8201        | 8              | 6            | A                |                           |                 |
| X              | 43743-8202        | 8              | 6            | B                |                           |                 |
| X              | 43743-8203        | 8              | 6            | C                |                           |                 |
| X              | 43743-8301        | 8              | 4            | A                |                           |                 |
| X              | 43743-8302        | 8              | 4            | B                |                           |                 |
| X              | 43743-8303        | 8              | 4            | C                | PK-70873-7002             |                 |
|                | 43743-6201        | 6              | 2            | A                | PK-70873-7001             |                 |
| X              | 43743-6202        | 6              | 2            | B                | PK-70873-7001             |                 |
| X              | 43743-6203        | 6              | 2            | C                | PK-70873-7001             | NA              |



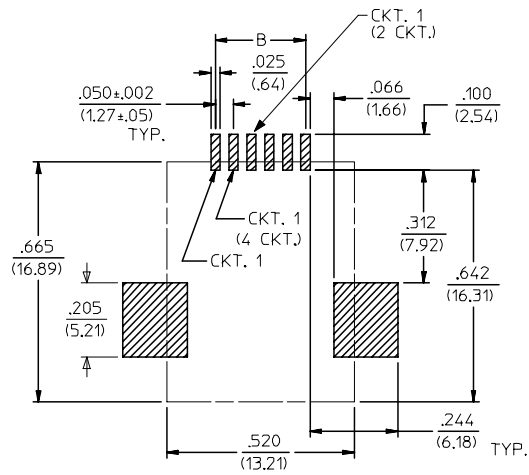
TAPE AND REEL PACKAGING

NOTES:

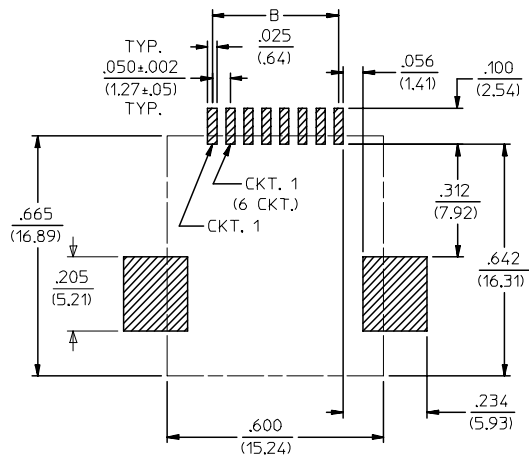
- MATERIAL:  
HOUSING & INSULATOR: NYLON(PA), GLASS FILLED, UL94V-0, COLOR: BLACK  
TERMINALS: PHOSPHOR BRONZE, .012/(0.30) THICK  
FITTING NAILS: BRASS, .010/(0.25) THICK
- FINISH:  
TERMINALS:  
A = SELECT GOLD IN CONTACT AREA: .000050/(0.00127) MIN.,  
\*SELECT MATTE TIN IN PC TAIL AREA: .000100/(0.00254) MN.,  
WITH OVERALL NICKEL UNDERPLATE: .000050/(0.00127) MIN.  
B = SELECT GOLD IN CONTACT AREA: .000030/(0.00076) MIN.,  
\*SELECT MATTE TIN IN PC TAIL AREA: .000100/(0.00254) MN.,  
WITH OVERALL NICKEL UNDERPLATE: .000050/(0.00127) MIN.  
C = SELECT GOLD IN CONTACT AREA: .000015/(0.00038) MIN.,  
\*SELECT MATTE TIN IN PC TAIL AREA: .000100/(0.00254) MN.,  
WITH OVERALL NICKEL UNDERPLATE: .000050/(0.00127) MIN.  
FITTING NAILS:  
\*100 MICROINCHES MATTE TIN OVER 50 MICROINCHES NICKEL UNDERPLATE  
\*THE PRIMARY SHIPPING CARTON WILL BE LABELED "COMPLIANT TO RoHS DIRECTIVE 2002/95/EC AND ELV ANNEX II OF DIRECTIVE 2000/53/EC". CARTONS WITHOUT THIS LABEL MAY CONTAIN PRODUCT WITH TIN-LEAD IN THE PC TAILS AND/OR FITTING NAILS.
- PRODUCT SPECIFICATION AND PROCESSING PARAMETERS: PS-43743-0001.
- PACKAGING SPECIFICATION:  
CONNECTOR ASSEMBLIES TO BE PACKAGED USING TAPE & REEL SYSTEM.
- COPLANARITY SPECIFICATION:  
WHEN AN ASSEMBLY IS PLACED UPON A LEVEL SURFACE, THE MAXIMUM GAP BETWEEN THE LEVEL SURFACE AND ALL TERMINAL TAILS AND BOTH FITTING NAILS IS .006/(0.15).
- FOR ASSEMBLIES HAVING VOIDED CIRCUITS, THE TAIL PORTION IS CUT AND REMOVED. THE MATING PORTION OF THE TERMINAL REMAINS INTACT. VOIDED CIRCUITS MUST BE THE SAME FOR BOTH PARTS.
- CONFORMS TO FCC REGULATION PART 68.5 FOR MODULAR JACKS.
- THIS PART CONFORMS TO CLASS B REQUIREMENTS OF COSMETIC SPECIFICATION PS-45499-002.

|     |     |
|-----|-----|
| 2   | H   |
| 1   | J3  |
| SHT | REV |

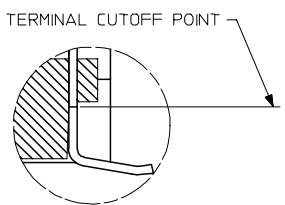
|  |                               |   |   |                                     |                      |                        |
|--|-------------------------------|---|---|-------------------------------------|----------------------|------------------------|
| OBSOLETE PN<br>EC NO: UCP2017-0673<br>DRW:AFENG02 2016/09/22<br>CHKD:<br>APPR:KLANG 2016/10/10 | QUALITY SYMBOLS<br>▽=0<br>▽=0 | GENERAL TOLERANCES (UNLESS SPECIFIED)   | DIMENSION STYLE<br>IN/MM  | SCALE<br>INCH                       | DESIGN UNITS<br>INCH | THIRD ANGLE PROJECTION |
|  |                               | mm INCH   | DRAWN BY DATE<br>PEARSON 6/18/96  | TITLE<br>SURFACE MOUNT MODULAR JACK |                      |                        |
|  |                               | 4 PLACES ± --- ± ---<br>3 PLACES ± --- ± .010<br>2 PLACES ± 0.25 ± .014<br>1 PLACE ± 0.36 ± --- | CHECKED BY DATE<br>PEARSON 6/18/96  | APPROVED BY DATE<br>EDGLEY 6/18/96  |                      |                        |
|  |                               | ANGULAR ±1/2°   | MATERIAL NO.<br>SEE CHARTS  | DOCUMENT NO.<br>SDA-43743-****      | SHEET NO.<br>1 OF 2  |                        |
| J4   | REV                           | DRAFT WHERE APPLICABLE<br>MUST REMAIN<br>WITHIN DIMENSIONS                                      | THIS DRAWING CONTAINS INFORMATION THAT IS PROPRIETARY TO MOLEX INCORPORATED AND SHOULD NOT BE USED WITHOUT WRITTEN PERMISSION |                                     |                      |                        |



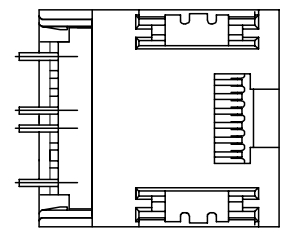
PC BOARD LAYOUT FOR 6 POSITION HOUSING (COMPONENT SIDE OF BOARD)



PC BOARD LAYOUT FOR 8 POSITION HOUSING (COMPONENT SIDE OF BOARD)



VIEW SHOWING TYPICAL TERMINAL CUTOFF OF TAIL (SEE NOTE 5) FOR VOIDED CIRCUITS.



TYPICAL VIEW SHOWING VOIDED CIRCUIT (CIRCUITS 2,3,6 & 7 SHOWN VOIDED)

|  |  |  |                                  |                   |   |                    |
|--|--|--|----------------------------------|-------------------|---|--------------------|
| SEE SHEET ONE<br>EC NO: UCP2004-0798<br>DRWN:LSCHMIDT 2004/01/05<br>CHKD:LSCHMIDT 2004/01/05<br>APPR:FSMITH 2004/01/08 | QUALITY SYMBOLS                                      | GENERAL TOLERANCES (UNLESS SPECIFIED)  | SCALE --- INCH                   | DESIGN UNITS INCH | THIRD ANGLE PROJECTION  | REVISE ON CAD ONLY |
|  | ▽ = 0<br>▽ = 0                                       | 4 PLACES ± --- ± ---<br>3 PLACES ± --- ± .010<br>2 PLACES ± 0.25 ± .014<br>1 PLACE ± 0.36 ± ---<br>ANGULAR ±1/2° | DIMENSION STYLE IN/MM            |                   | TITLE SURFACE MOUNT MODULAR JACK  |                    |
|  |  |  | DRAWN BY PEARSON DATE 06/18/96   |                   | MATERIAL NO. MOLEX INCORPORATED   |                    |
|  |  |  | CHECKED BY PEARSON DATE 06/18/96 |                   | DOCUMENT NO. SDA-43743-****   |                    |
| REV  | DRAFT WHERE APPLICABLE MUST REMAIN WITHIN DIMENSIONS | APPROVED BY EDGLEY DATE 06/18/96   | SHEET NO. 2 OF 2                 |                   | THIS DRAWING CONTAINS INFORMATION THAT IS PROPRIETARY TO MOLEX INCORPORATED AND SHOULD NOT BE USED WITHOUT WRITTEN PERMISSION |                    |