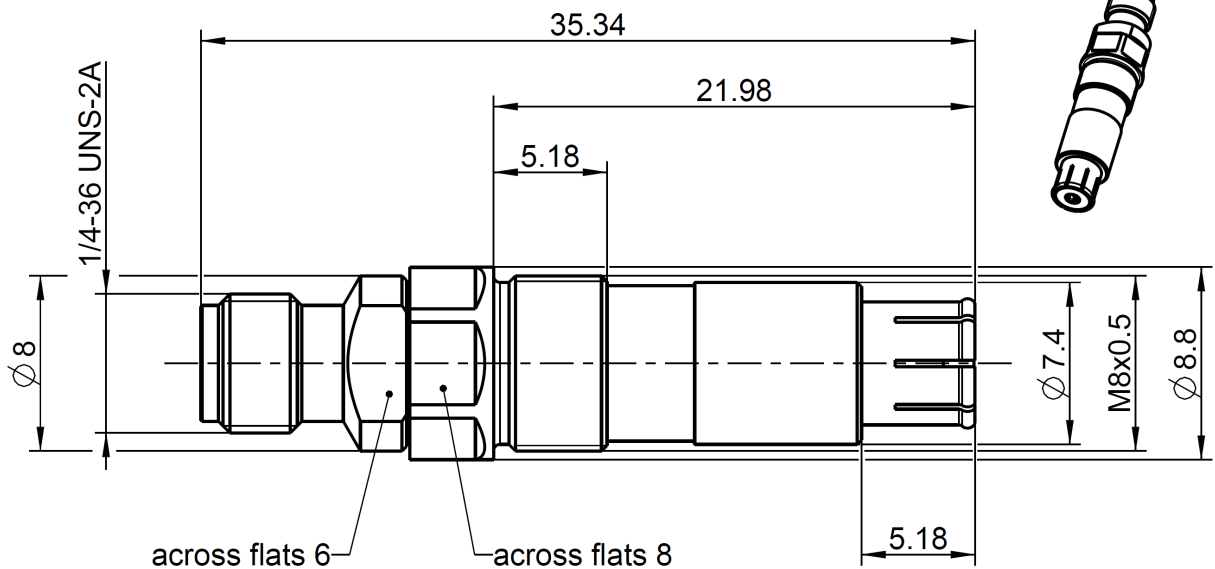


ADAPTOR

RPC-3.50 female – MQ4/MQ5 (single) male

03K1MQ4-S00D3



All dimensions are in mm; tolerances according to ISO 2768 m-H

Interface

| | |
|---------------------------------------|------------------|
| RPC-3.50 according to | IEC 60169-23 |
| RPC-3.50 mechanically compatible with | RPC-2.92 and SMA |
| MQ4/MQ5 according to | IEC 63138 |

Documents

N/A

Material and plating

Connector parts

| | Material | Plating |
|-------------------------------|-----------------|--|
| Center contact | CuBe | Gold, min. 1.27 µm, over chemical nickel |
| Outer contact (RPC-3.50 side) | Stainless steel | Passivated |
| Outer contact (MQ4/MQ5 side) | CuBe | Gold, min. 1.27 µm, over chemical nickel |
| Body | Stainless steel | Passivated |
| Dielectric 1 (RPC-3.50 side) | COP | |
| Dielectric 2 (MQ4/MQ5 side) | PTFE | |

ADAPTOR

RPC-3.50 female – MQ4/MQ5 (single) male

03K1MQ4-S00D3

Electrical data

| | |
|--------------------------------|--|
| Impedance | 50 Ω |
| Frequency | DC to 6 GHz |
| Return loss | ≥ 36 dB, DC to 2 GHz ≥ 34 dB, 2 GHz to 4 GHz ≥ 28 dB, 4 GHz to 6 GHz |
| Insertion loss | ≤ 0.05 x √f(GHz) dB |
| Insulation resistance | ≥ 5 GΩ |
| Proof voltage (at sea level) | 1000 V rms |
| Working voltage (at sea level) | 335 V rms |
| RF-leakage | ≥ 100 dB up to 1 GHz |

Mechanical data

| | |
|--------------------------------------|--------------------|
| Mating cycles RPC-3.50 | ≥ 500 |
| Mating cycles MQ4/MQ5 | ≥ 1000 |
| Center contact captivation: axial | ≥ 27 N |
| Coupling test torque RPC-3.50 | 1.70 Nm |
| Coupling torque recommended RPC-3.50 | 0.80 Nm to 1.10 Nm |

Environmental data

| | |
|---------------------|---------------------------------|
| Temperature range | -40 °C to +85 °C |
| Thermal shock | MIL-STD-202, Meth. 107, Cond. B |
| Corrosion | MIL-STD-202, Meth. 101, Cond. B |
| Vibration | MIL-STD-202, Meth. 204, Cond. D |
| Shock | MIL-STD-202, Meth. 213, Cond. I |
| Moisture resistance | MIL-STD-202, Meth. 106 |
| RoHS | compliant |

Notes

| | |
|----------------------|--------------------------------|
| Replacement part for | 03K1MQ4-S01D3 03K1MQ5-S01D3 |
|----------------------|--------------------------------|

Weight

7.5 g/pce

While the information has been carefully compiled to the best of our knowledge, nothing is intended as representation or warranty on our part and no statement herein shall be construed as recommendation to infringe existing patents. In the effort to improve our products, we reserve the right to make changes judged to be necessary.

For the installation of the electrotechnical equipment, particular electrotechnical expertise is required.



| | | | | | | | |
|-----------|----------|-------------|----------|------|---------------------------|----------|----------|
| Draft | Date | Approved | Date | Rev. | Engineering change number | Name | Date |
| F. Reiner | 23.03.20 | H. Babinger | 08.02.22 | b00 | 20-1016 | A.Youmsi | 08.02.22 |

Rosenberger Hochfrequenztechnik GmbH & Co. KG
P.O.Box 1260 D-84526 Tittmoning Germany
www.rosenberger.com

Tel. : +49 8684 18-0
Email : info@rosenberger.com

Page
2 / 2