

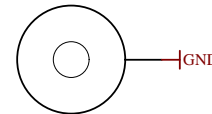
1

2

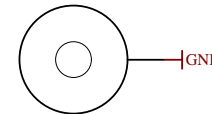
3

4

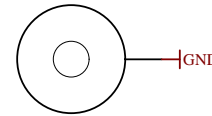
U_J1 J1.SchDoc	U_B_PS_GT B_PS_GT.SchDoc	U_DDR4-TERM DDR4-TERM.SchDoc
U_J2 J2.SchDoc	U_PS_DDR PS_DDR.SchDoc	U_ZU_POWER ZU_POWER.SchDoc
U_J3 J3.SchDoc	U_B_MIO B_MIO.SchDoc	U_ZU_PS_POWER ZU_PS_POWER.SchDoc
U_J4 J4.SchDoc	U_B_HD B_HD.SchDoc	U_POWER POWER.SchDoc
U_DDR4-TERM DDR4-TERM.SchDoc	U_Clock Clock.SchDoc	U_POWER_2 POWER_2.SchDoc
U_B64 B64.SchDoc	U_CONFIG CONFIG.SchDoc	U_POWER_3 POWER_3.SchDoc
U_B65 B65.SchDoc	U_DDR4-RAM DDR4-RAM.SchDoc	U_POWER_4 POWER_4.SchDoc
U_B66 B66.SchDoc	U_DDR4-RAM_2 DDR4-RAM_2.SchDoc	
U_B_GT B_GT.SchDoc	U_DDR4-RAM_3 DDR4-RAM_3.SchDoc	
U_B_GT_2 B_GT_2.SchDoc	U_DDR4-RAM_4 DDR4-RAM_4.SchDoc	



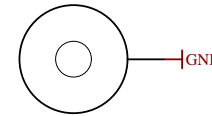
Mount.Hole 3.2mm für Unterlegscheibe



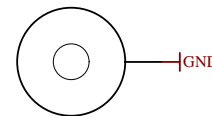
Mount.Hole 3.2mm für Unterlegscheibe



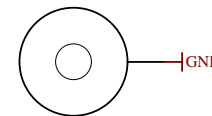
Mount.Hole 3.2mm für Unterlegscheibe



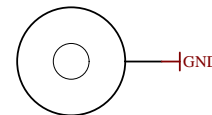
Mount.Hole 3.2mm für Unterlegscheibe



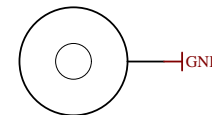
Mount.Hole 3.2mm für Unterlegscheibe



Mount.Hole 3.2mm für Unterlegscheibe

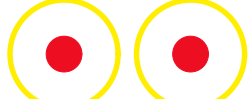


Mount.Hole 3.2mm für Unterlegscheibe



Mount.Hole 3.2mm für Unterlegscheibe

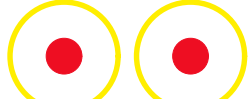
FIDU-DOT - small FIDU-DOT - small



PM1 PM2
FIDU-DOT - small FIDU-DOT - small



PM3 PM4
FIDU-DOT - small FIDU-DOT - small



PM5 PM6

LOGO1

TE Logo PRINT Layer

LOGO PRINT

Serial

Serial

Serialnumber 6,3 x 6.3mm



Title: TE0808		
A4	Number: TE0808 9GI21-A	Rev. 04
Date: 13.08.2017	Copyright: Trenz Electronic GmbH / TT	Page1 of 28
Filename: TE0808.SchDoc		

1

2

3

4

A

A

B

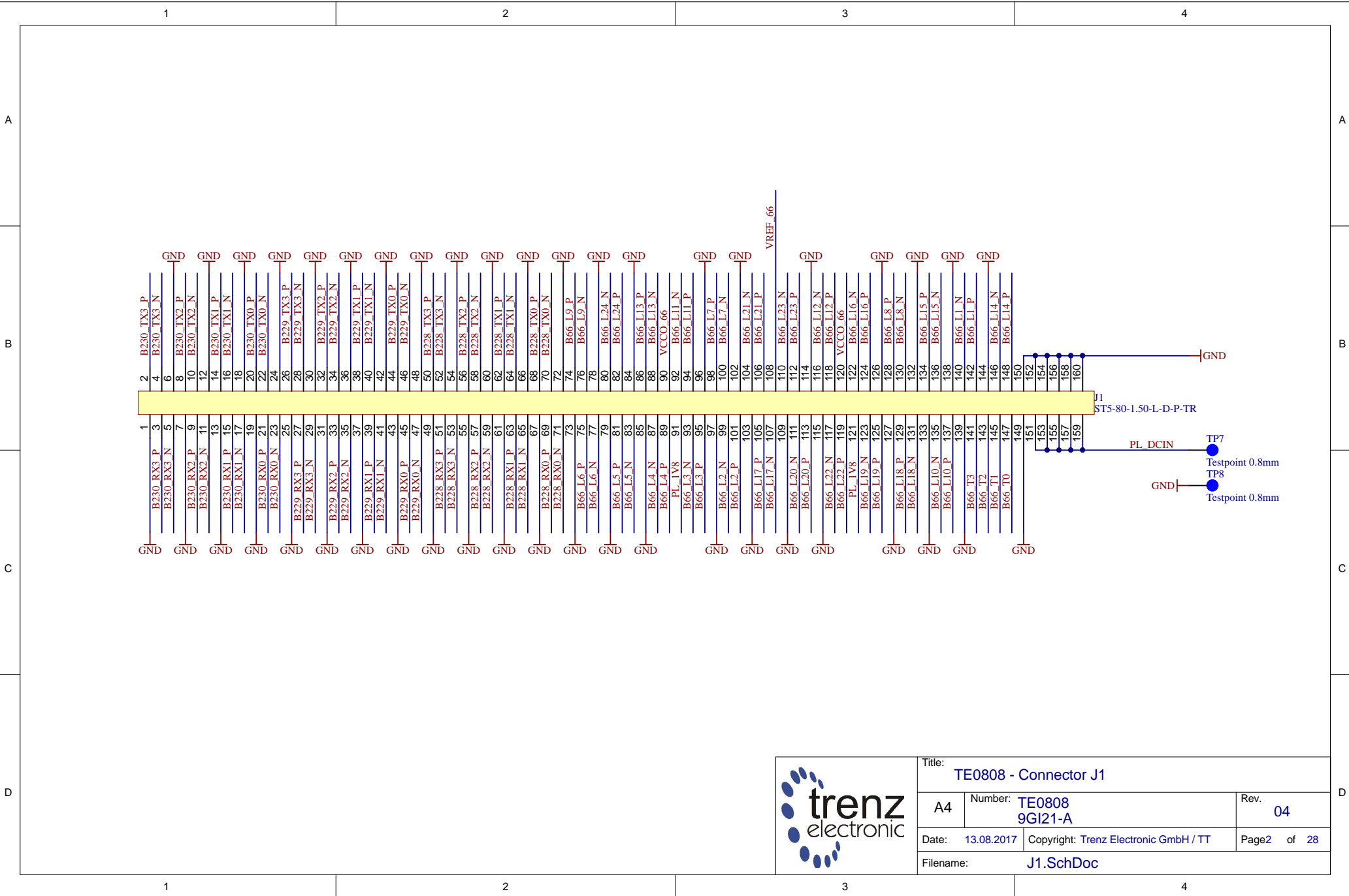
B

C

C

D

D



Title: TE0808 - Connector J1			
A4	Number: TE0808 9GI21-A	Rev. 04	
Date: 13.08.2017	Copyright: Trenz Electronic GmbH / TT	Page2 of 28	
Filename: J1.SchDoc			

1

2

3

4

A

A

B

B

C

C

D

D

1

2

3

4

1

2

3

4

A

A

B

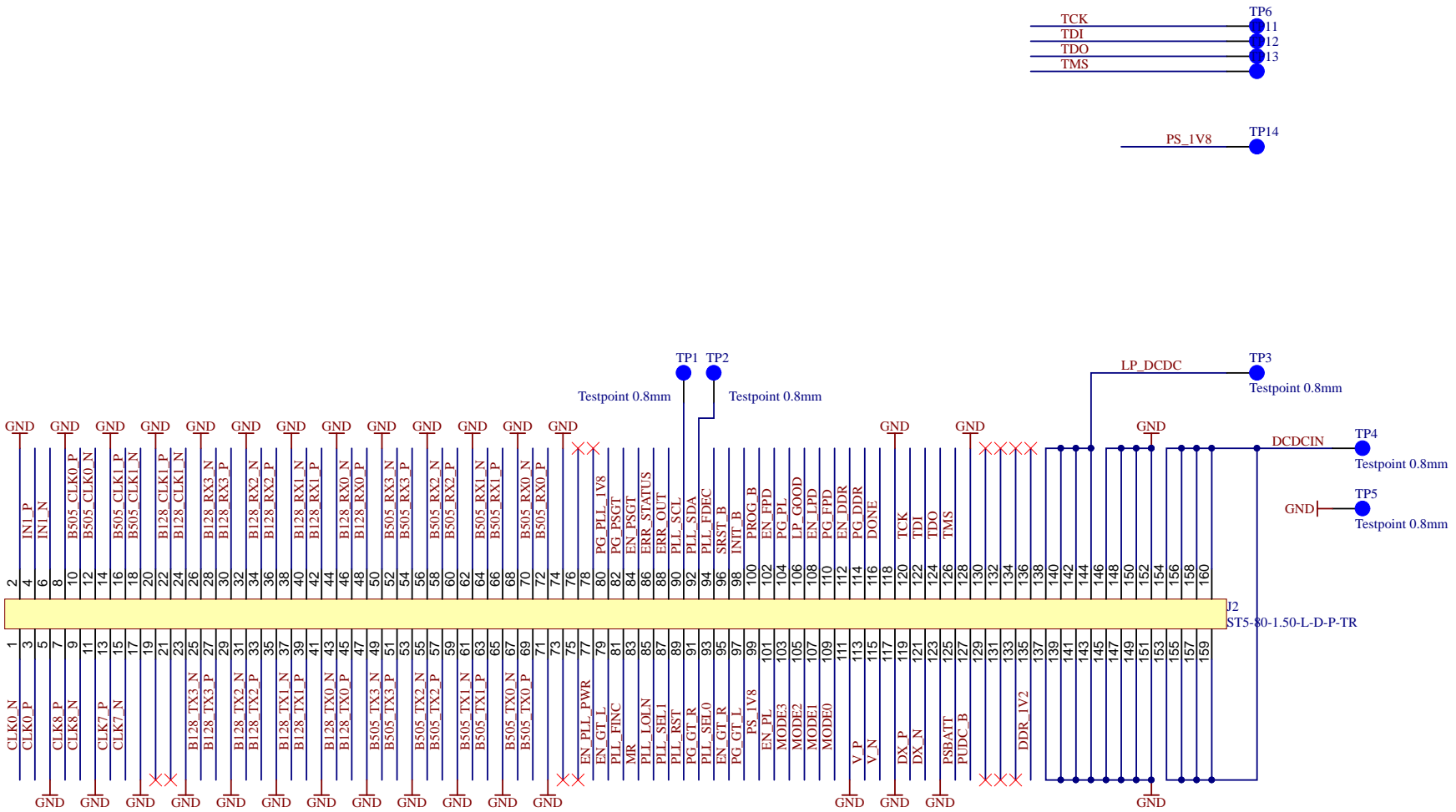
B

C

C

D

D



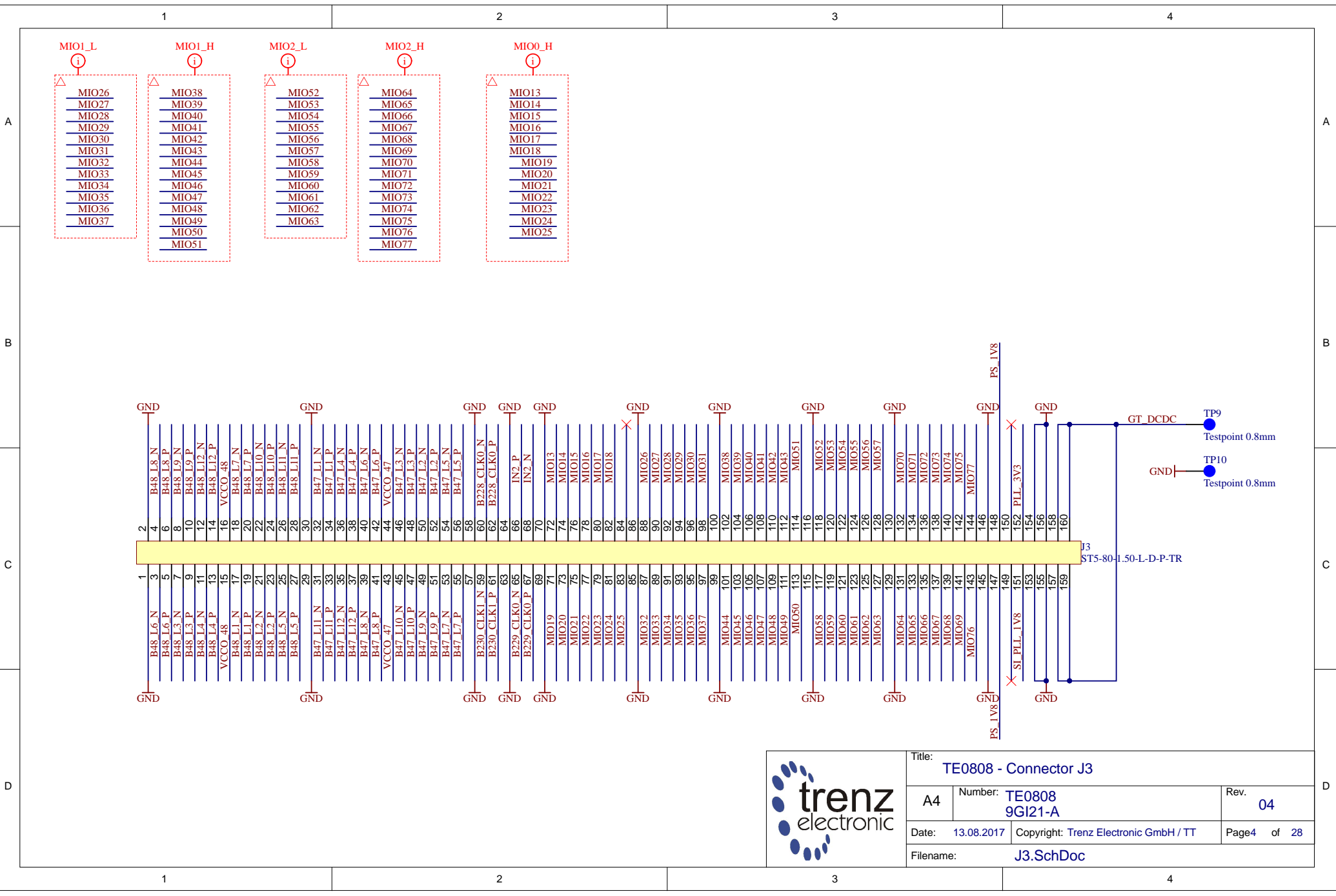

Title: TE0808 - Connector J2		
A4	Number: TE0808 9GI21-A	Rev. 04
Date: 13.08.2017	Copyright: Trenz Electronic GmbH / TT	Page3 of 28
Filename: J2.SchDoc		

1

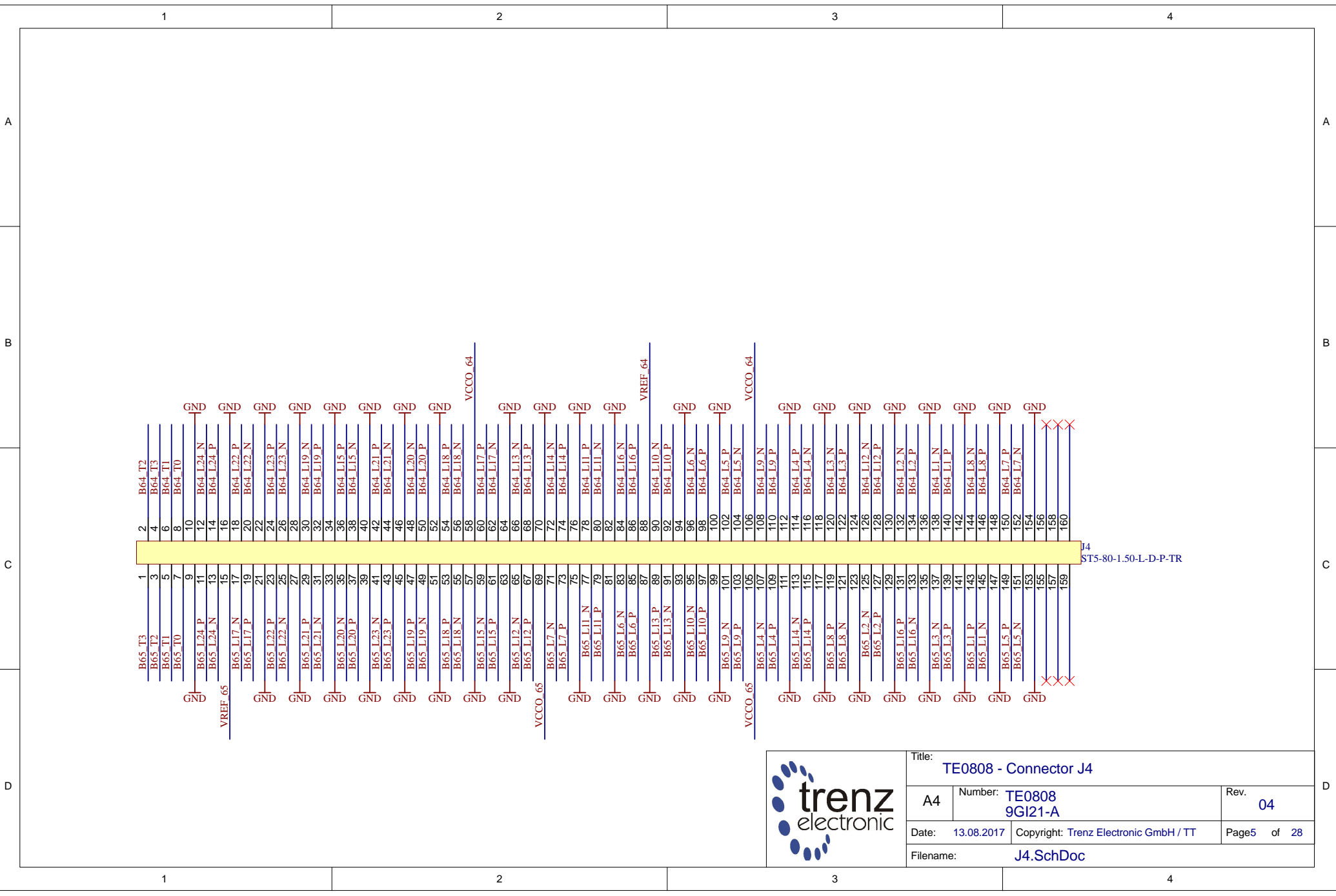
2


3

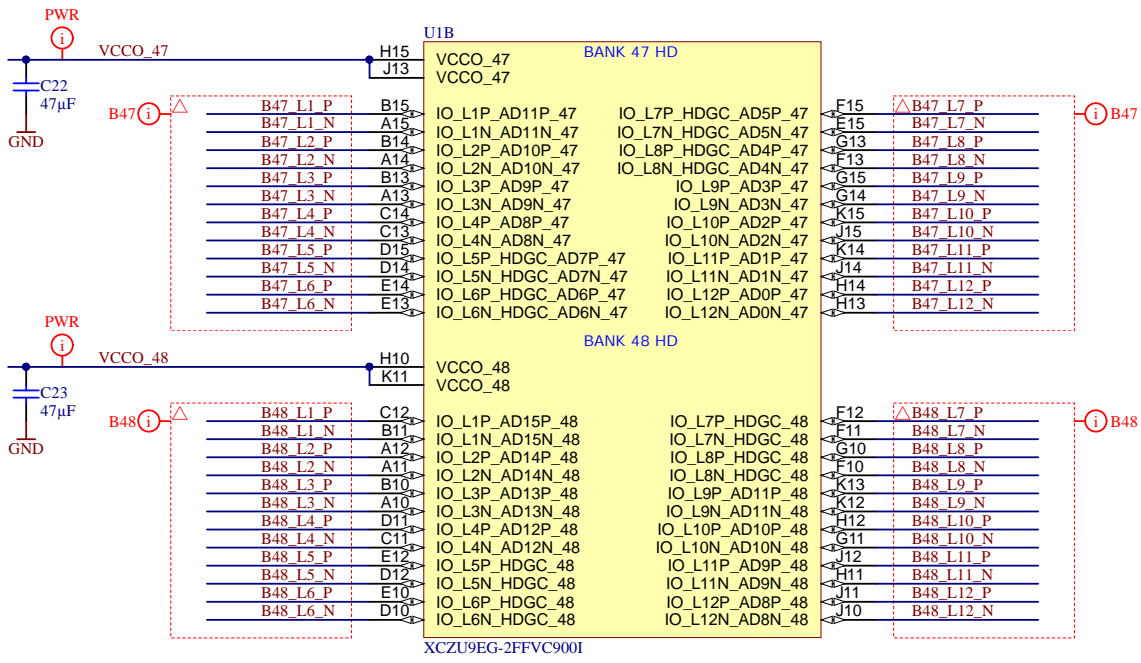
4





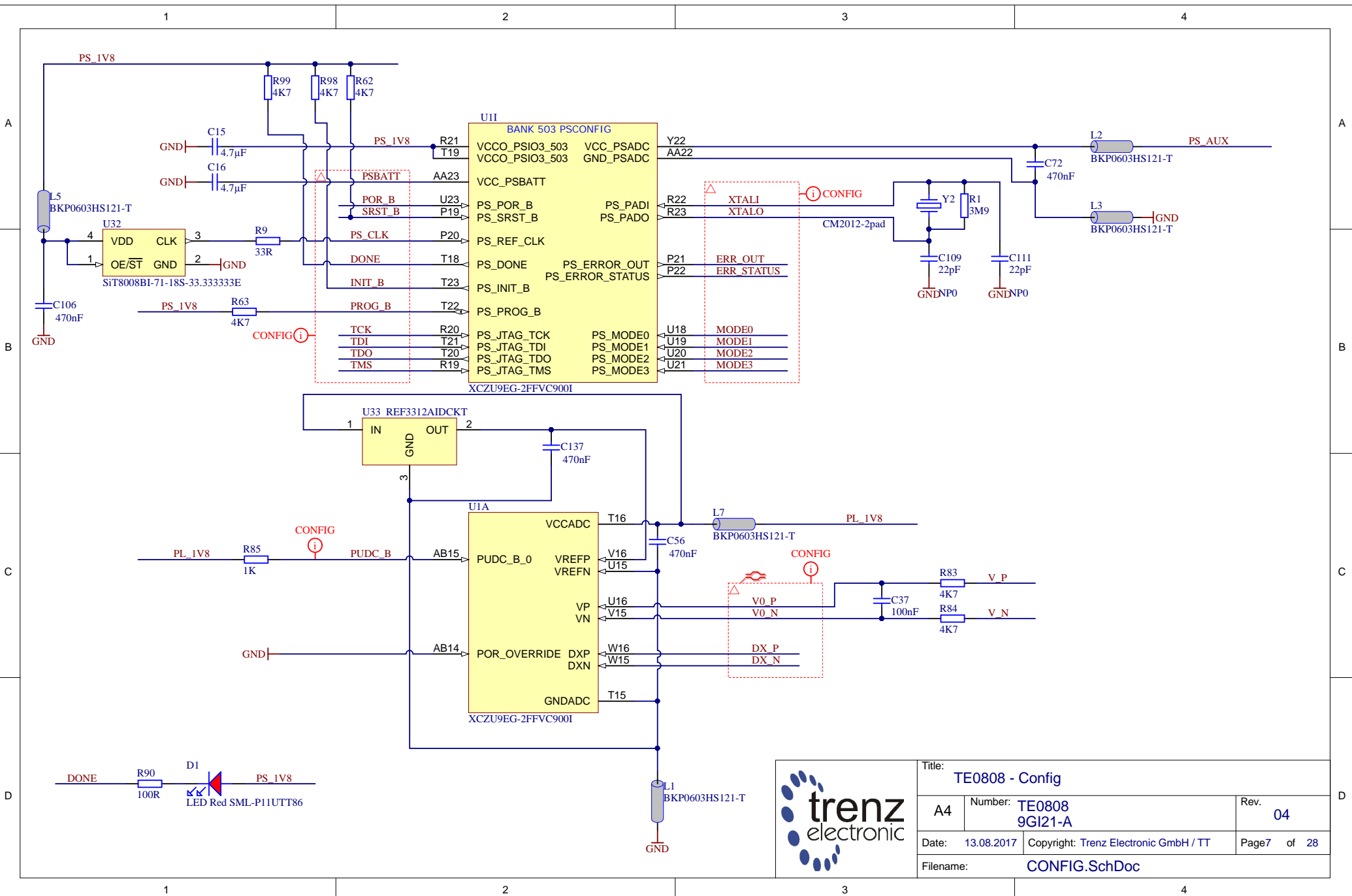
Title: TE0808 - Connector J3		
A4	Number: TE0808 9G121-A	Rev. 04
Date: 13.08.2017	Copyright: Trenz Electronic GmbH / TT	Page4 of 28
Filename: J3.SchDoc		




	Title: TE0808 - Connector J4	
	A4	Number: TE0808 9GI21-A
	Date: 13.08.2017	Copyright: Trenz Electronic GmbH / TT
	Filename: J4.SchDoc	
	Rev. 04	Page5 of 28



			Title: TE0808 - B47HD and B48HD	
			A4	Number: TE0808 9GI21-A
Date: 13.08.2017		Copyright: Trenz Electronic GmbH / TT		Page6 of 28
Filename: B_HD.SchDoc				



			Title: TE0808 - Config	
			A4	Number: TE0808 9G121-A
Date: 13.08.2017		Copyright: Trenz Electronic GmbH / TT		Page7 of 28
Filename: CONFIG.SchDoc				

1

2

3

4

A

A

B

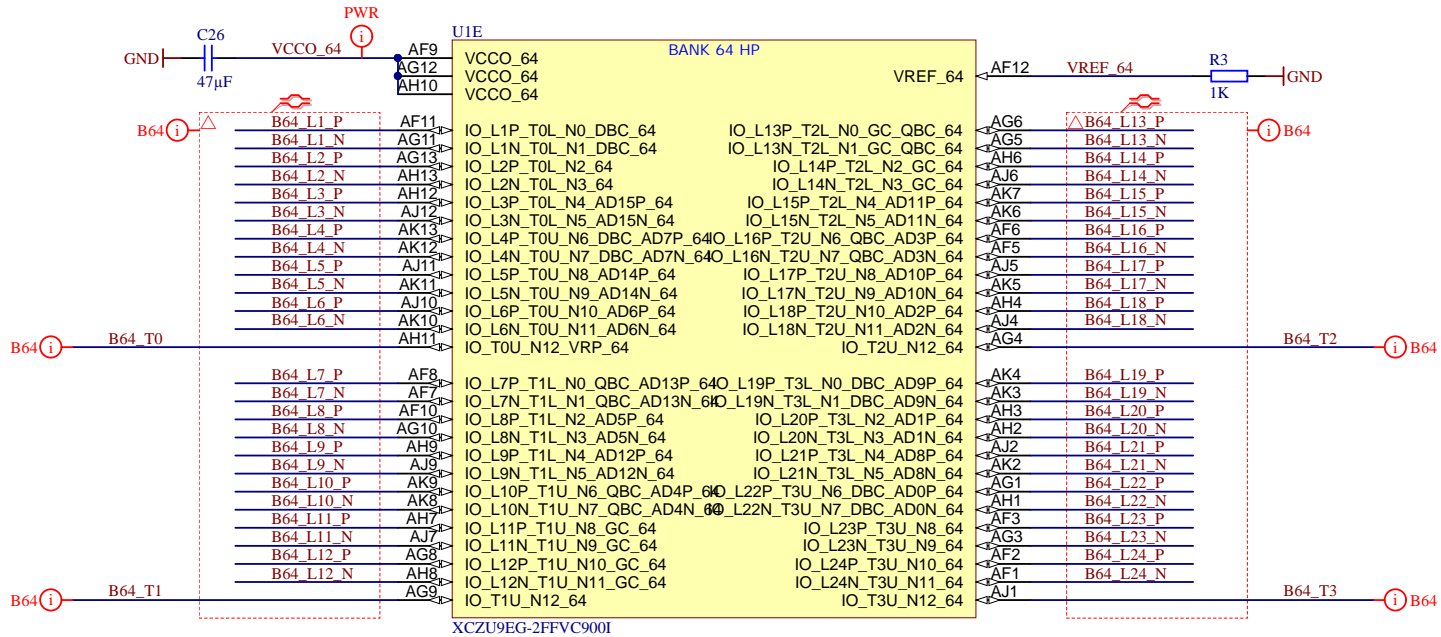

B

C

C

D

D

Title: TE0808 - B64		
A4	Number: TE0808 9GI21-A	Rev. 04
Date: 13.08.2017	Copyright: Trenz Electronic GmbH / TT	Page8 of 28
Filename: B64.SchDoc		

1

2

3

4

1

2

3

4

A

A

B

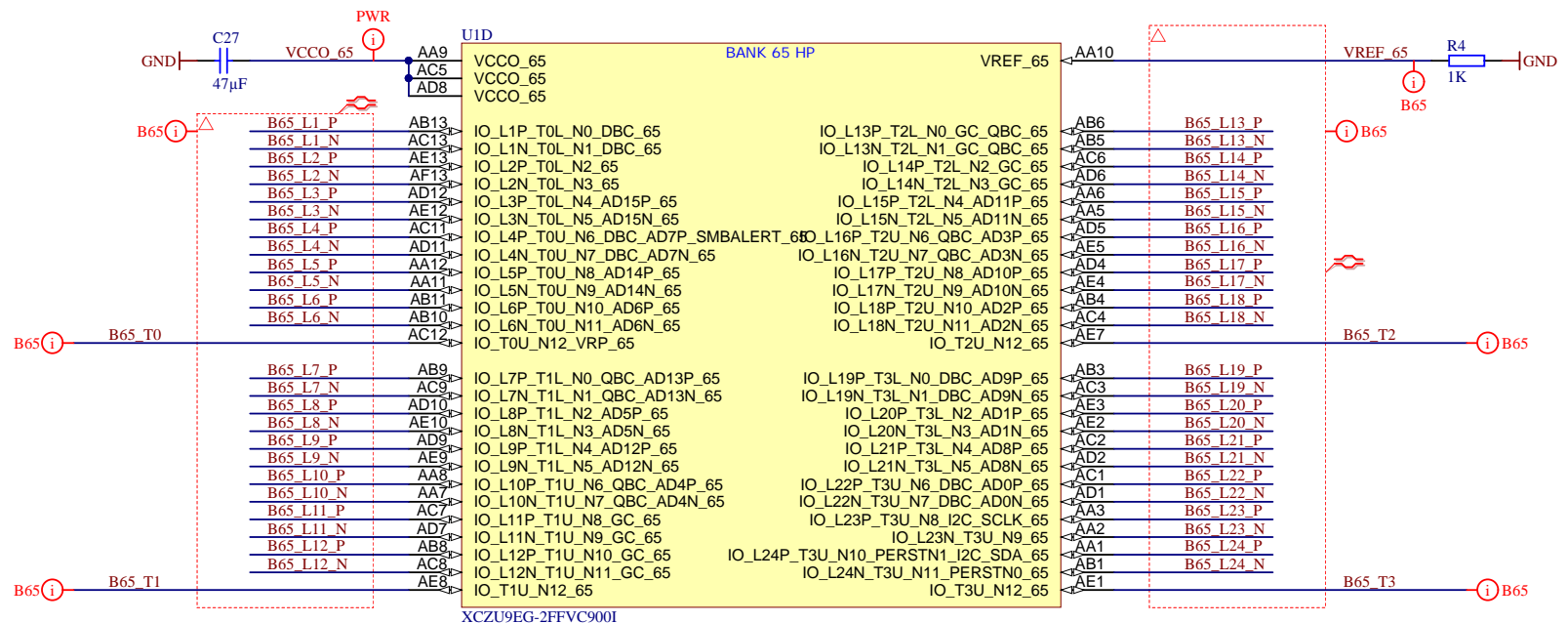
B

C

C

D

D



Title: TE0808 - B65		
A4	Number: TE0808 9GI21-A	Rev. 04
Date: 13.08.2017	Copyright: Trenz Electronic GmbH / TT	Page 9 of 28
Filename: B65.SchDoc		

1

2

3

4

1

2

3

4

A

A

B

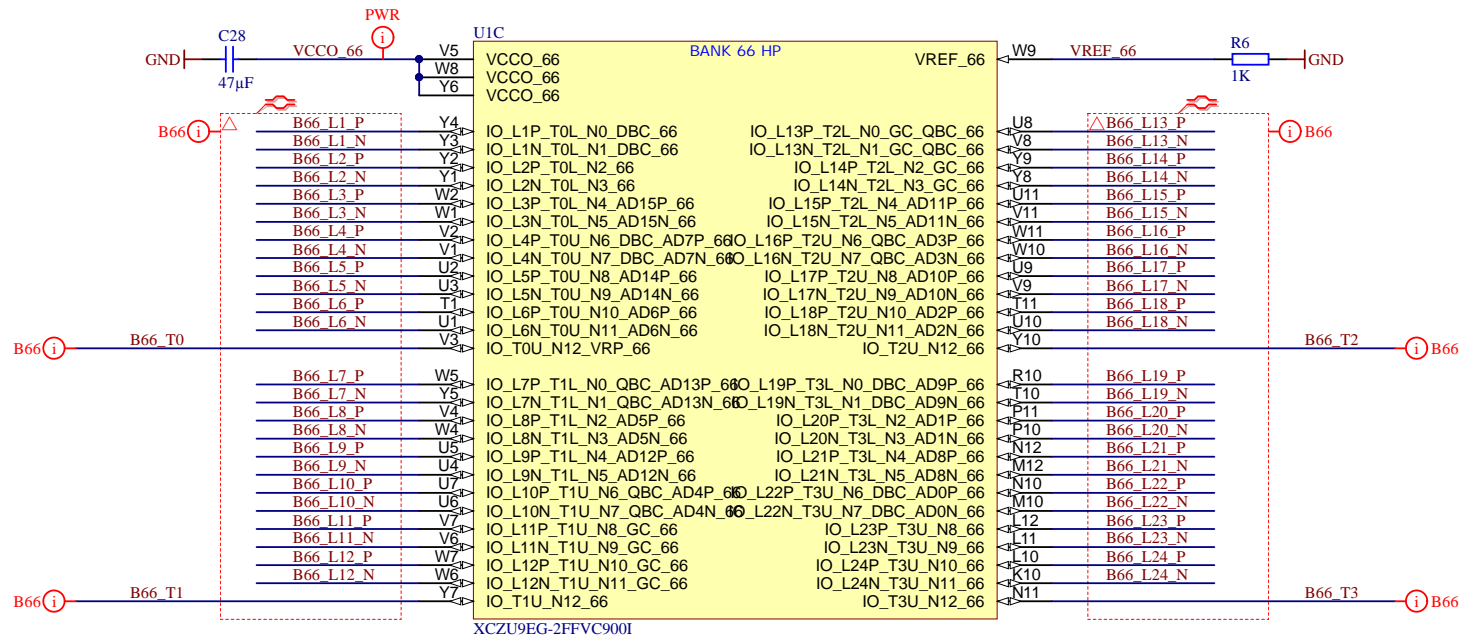
B

C

C

D

D



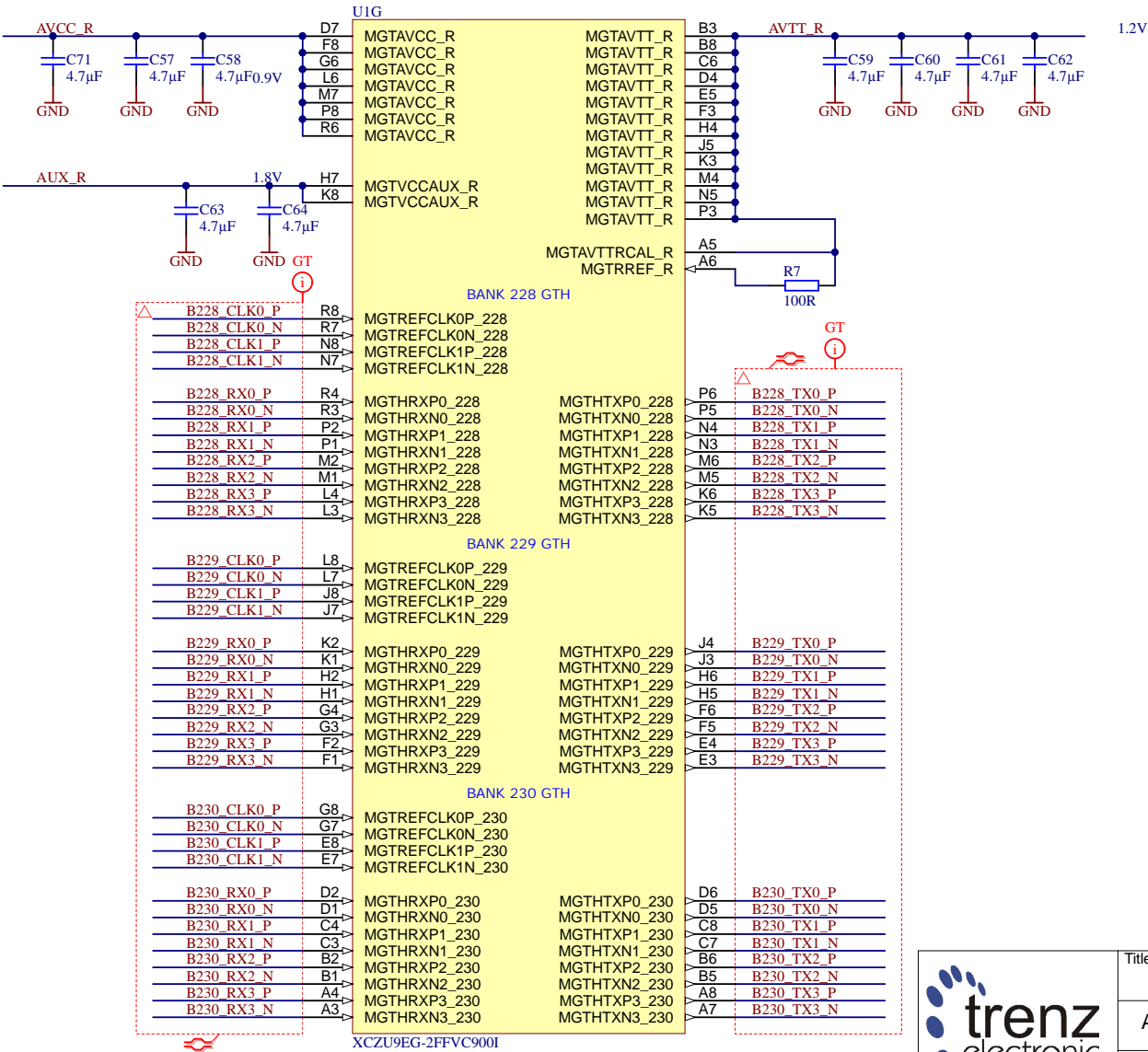
Title: TE0808 - B66		
A4	Number: TE0808 9GI21-A	Rev. 04
Date: 13.08.2017	Copyright: Trenz Electronic GmbH / TT	Page 10 of 28
Filename: B66.SchDoc		

1

2

3

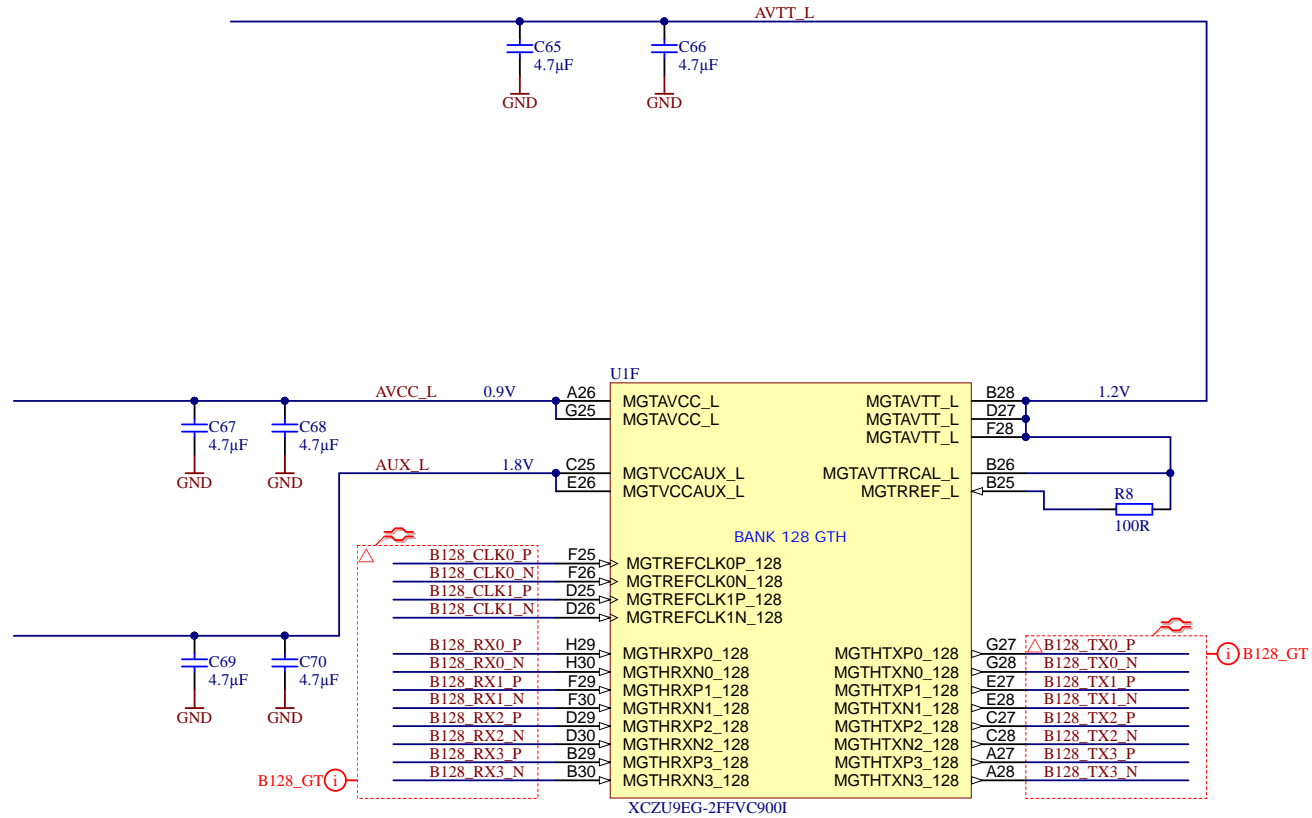
4



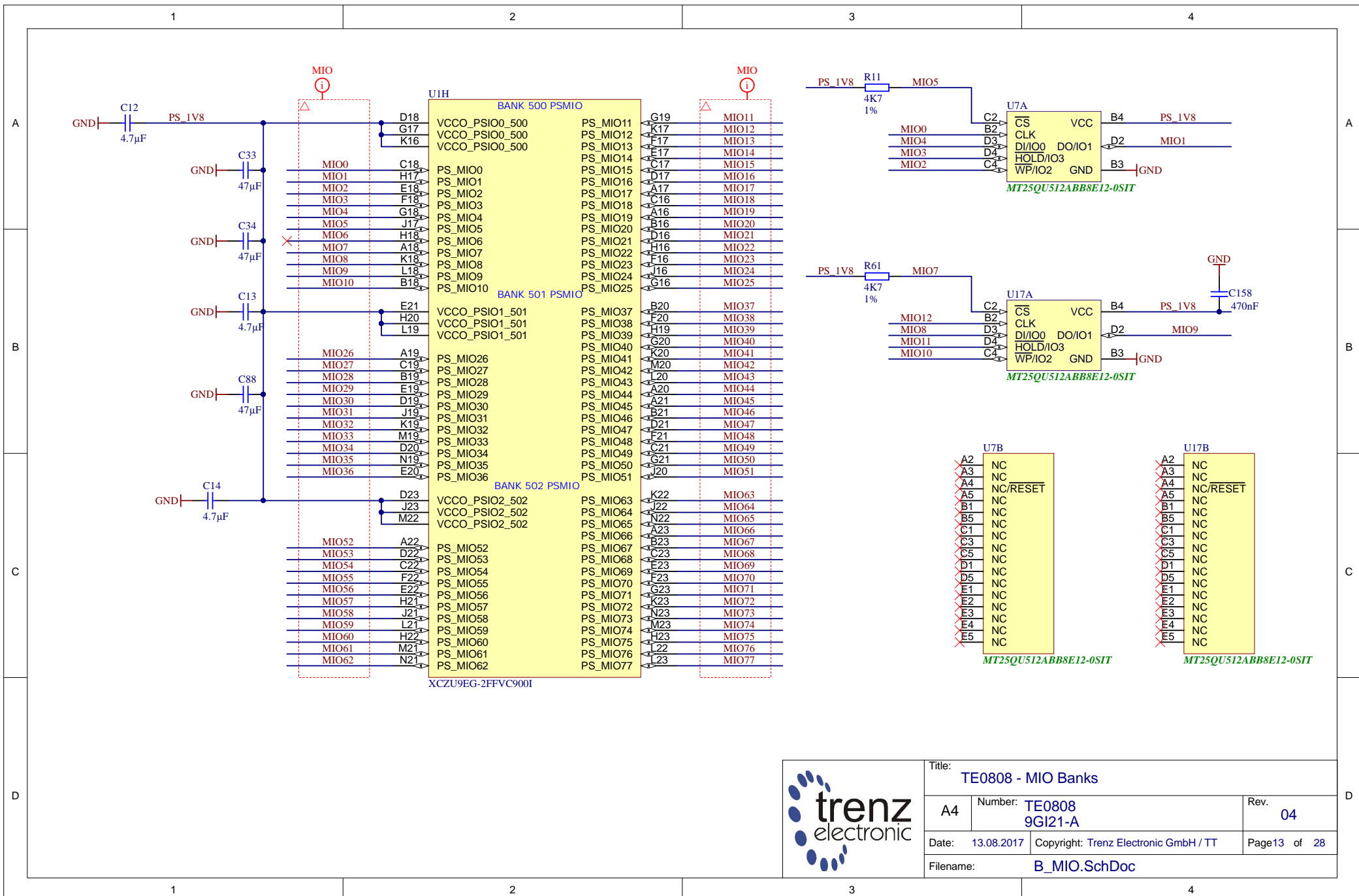
XZCU9EG-2FFVC9001



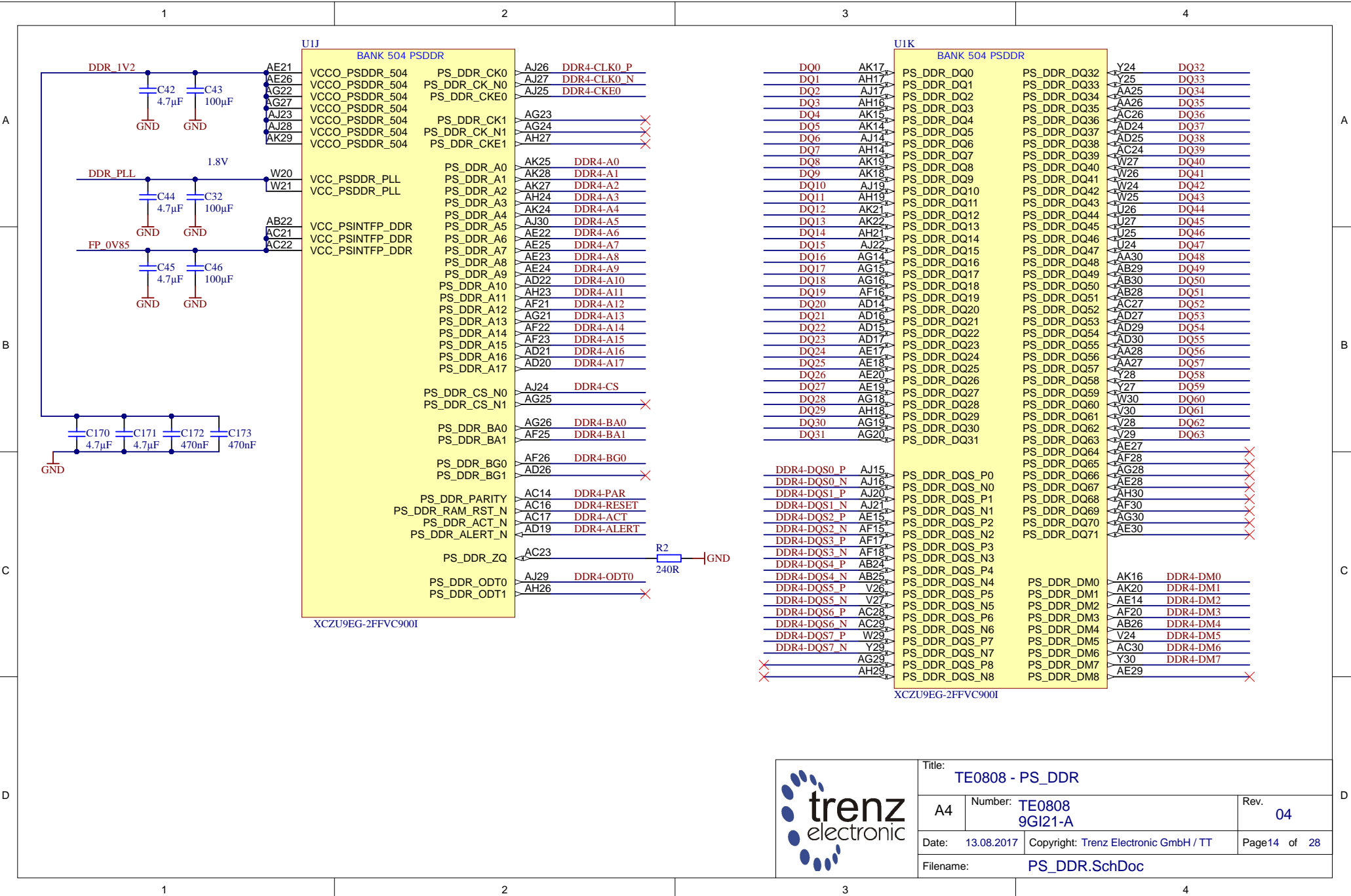
Title: TE0808 - B228GTH_B229GTH_B230GTH		
A4	Number: TE0808 9GI21-A	Rev. 04
Date: 13.08.2017	Copyright: Trenz Electronic GmbH / TT	Page 11 of 28
Filename: B_GT.SchDoc		



	Title: TE0808 - B128GTH		
	A4	Number: TE0808 9GI21-A	Rev. 04
	Date: 13.08.2017	Copyright: Trenz Electronic GmbH / TT	Page 12 of 28
	Filename: B_GT_2.SchDoc		



	Title: TE0808 - MIO Banks		
	A4	Number: TE0808 9GI21-A	Rev. 04
	Date: 13.08.2017	Copyright: Trenz Electronic GmbH / TT	Page 13 of 28
	Filename: B_MIO.SchDoc		



UIJ BANK 504 PSDDR

VCCO_PSDDR_504	PS_DDR_CK0	AJ26	DDR4-CLK0_P
VCCO_PSDDR_504	PS_DDR_CK_N0	AJ27	DDR4-CLK0_N
VCCO_PSDDR_504	PS_DDR_CKE0	AJ25	DDR4-CKE0
VCCO_PSDDR_504		AG23	
VCCO_PSDDR_504	PS_DDR_CK1	AG24	
VCCO_PSDDR_504	PS_DDR_CK_N1	AH27	
VCCO_PSDDR_504			
	PS_DDR_A0	AK25	DDR4-A0
	PS_DDR_A1	AK28	DDR4-A1
	PS_DDR_A2	AK27	DDR4-A2
	PS_DDR_A3	AH24	DDR4-A3
	PS_DDR_A4	AK24	DDR4-A4
	PS_DDR_A5	AJ30	DDR4-A5
	PS_DDR_A6	AE22	DDR4-A6
	PS_DDR_A7	AE25	DDR4-A7
	PS_DDR_A8	AE23	DDR4-A8
	PS_DDR_A9	AE24	DDR4-A9
	PS_DDR_A10	AD22	DDR4-A10
	PS_DDR_A11	AH23	DDR4-A11
	PS_DDR_A12	AF21	DDR4-A12
	PS_DDR_A13	AG21	DDR4-A13
	PS_DDR_A14	AF22	DDR4-A14
	PS_DDR_A15	AF23	DDR4-A15
	PS_DDR_A16	AD21	DDR4-A16
	PS_DDR_A17	AD20	DDR4-A17
	PS_DDR_CS_N0	AJ24	DDR4-CS
	PS_DDR_CS_N1	AG25	
	PS_DDR_BA0	AG26	DDR4-BA0
	PS_DDR_BA1	AF25	DDR4-BA1
	PS_DDR_BG0	AF26	DDR4-BG0
	PS_DDR_BG1	AD26	
	PS_DDR_PARITY	AC14	DDR4-PAR
	PS_DDR_RAM_RST_N	AC16	DDR4-RESET
	PS_DDR_ACT_N	AC17	DDR4-ACT
	PS_DDR_ALERT_N	AD19	DDR4-ALERT
	PS_DDR_ZQ	AC23	
	PS_DDR_ODT0	AJ29	DDR4-ODT0
	PS_DDR_ODT1	AH26	

XCZU9EG-2FFVC9001

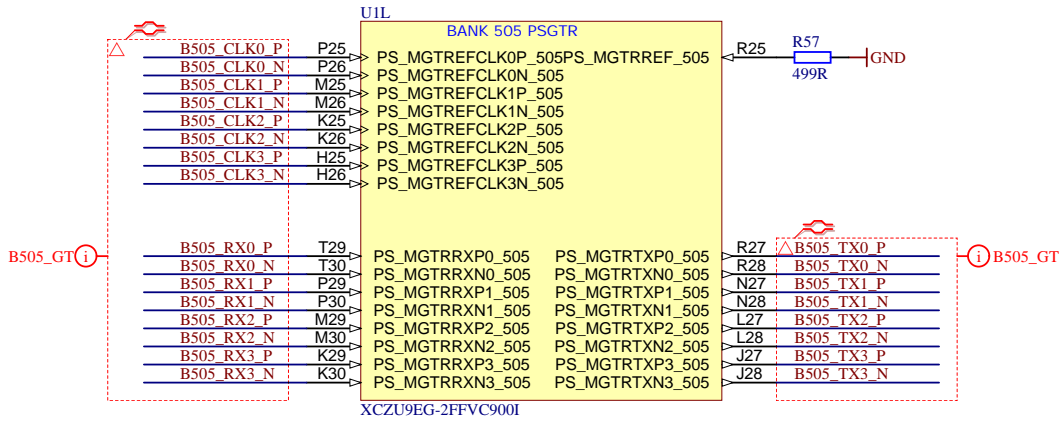
UIK BANK 504 PSDDR


PS_DDR_DQ0	AK17	DQ0	AK17	PS_DDR_DQ32	Y24	DQ32
PS_DDR_DQ1	AH17	DQ1	AH17	PS_DDR_DQ33	Y25	DQ33
PS_DDR_DQ2	AJ17	DQ2	AJ17	PS_DDR_DQ34	AA25	DQ34
PS_DDR_DQ3	AH16	DQ3	AH16	PS_DDR_DQ35	AA26	DQ35
PS_DDR_DQ4	AK15	DQ4	AK15	PS_DDR_DQ36	AC26	DQ36
PS_DDR_DQ5	AK14	DQ5	AK14	PS_DDR_DQ37	AD24	DQ37
PS_DDR_DQ6	AJ14	DQ6	AJ14	PS_DDR_DQ38	AD25	DQ38
PS_DDR_DQ7	AH14	DQ7	AH14	PS_DDR_DQ39	AC24	DQ39
PS_DDR_DQ8	AK19	DQ8	AK19	PS_DDR_DQ40	W27	DQ40
PS_DDR_DQ9	AK18	DQ9	AK18	PS_DDR_DQ41	W26	DQ41
PS_DDR_DQ10	AJ19	DQ10	AJ19	PS_DDR_DQ42	W24	DQ42
PS_DDR_DQ11	AH19	DQ11	AH19	PS_DDR_DQ43	W25	DQ43
PS_DDR_DQ12	AH19	DQ12	AH19	PS_DDR_DQ44	U26	DQ44
PS_DDR_DQ13	AK22	DQ13	AK22	PS_DDR_DQ45	U27	DQ45
PS_DDR_DQ14	AH21	DQ14	AH21	PS_DDR_DQ46	U25	DQ46
PS_DDR_DQ15	AJ22	DQ15	AJ22	PS_DDR_DQ47	U24	DQ47
PS_DDR_DQ16	AG14	DQ16	AG14	PS_DDR_DQ48	AA30	DQ48
PS_DDR_DQ17	AG15	DQ17	AG15	PS_DDR_DQ49	AB29	DQ49
PS_DDR_DQ18	AG16	DQ18	AG16	PS_DDR_DQ50	AB30	DQ50
PS_DDR_DQ19	AF16	DQ19	AF16	PS_DDR_DQ51	AB28	DQ51
PS_DDR_DQ20	AD14	DQ20	AD14	PS_DDR_DQ52	AC27	DQ52
PS_DDR_DQ21	AD16	DQ21	AD16	PS_DDR_DQ53	AD27	DQ53
PS_DDR_DQ22	AD15	DQ22	AD15	PS_DDR_DQ54	AD29	DQ54
PS_DDR_DQ23	AD17	DQ23	AD17	PS_DDR_DQ55	AD30	DQ55
PS_DDR_DQ24	AE17	DQ24	AE17	PS_DDR_DQ56	AA28	DQ56
PS_DDR_DQ25	AE18	DQ25	AE18	PS_DDR_DQ57	AA27	DQ57
PS_DDR_DQ26	AE20	DQ26	AE20	PS_DDR_DQ58	Y28	DQ58
PS_DDR_DQ27	AE19	DQ27	AE19	PS_DDR_DQ59	Y27	DQ59
PS_DDR_DQ28	AG18	DQ28	AG18	PS_DDR_DQ60	W30	DQ60
PS_DDR_DQ29	AH18	DQ29	AH18	PS_DDR_DQ61	V30	DQ61
PS_DDR_DQ30	AG19	DQ30	AG19	PS_DDR_DQ62	V28	DQ62
PS_DDR_DQ31	AG20	DQ31	AG20	PS_DDR_DQ63	V29	DQ63
				PS_DDR_DQ64	AE27	
				PS_DDR_DQ65	AF28	
				PS_DDR_DQ66	AG28	
				PS_DDR_DQ67	AE28	
				PS_DDR_DQ68	AH30	
				PS_DDR_DQ69	AF30	
				PS_DDR_DQ70	AG30	
				PS_DDR_DQ71	AE30	
				PS_DDR_DM0	AK16	DDR4-DM0
				PS_DDR_DM1	AK20	DDR4-DM1
				PS_DDR_DM2	AE14	DDR4-DM2
				PS_DDR_DM3	AF20	DDR4-DM3
				PS_DDR_DM4	AB26	DDR4-DM4
				PS_DDR_DM5	V24	DDR4-DM5
				PS_DDR_DM6	AC30	DDR4-DM6
				PS_DDR_DM7	Y30	DDR4-DM7
				PS_DDR_DM8	AE29	

XCZU9EG-2FFVC9001

Title: TE0808 - PS_DDR

A4	Number: TE0808 9GI21-A	Rev. 04
Date: 13.08.2017	Copyright: Trenz Electronic GmbH / TT	Page 14 of 28
Filename: PS_DDR.SchDoc		



	Title: TE0808 - PS_GT		
	A4	Number: TE0808 9GI21-A	Rev. 04
	Date: 13.08.2017	Copyright: Trenz Electronic GmbH / TT	Page 15 of 28
	Filename: B_PS_GT.SchDoc		

1

2

3

4

A

A

B

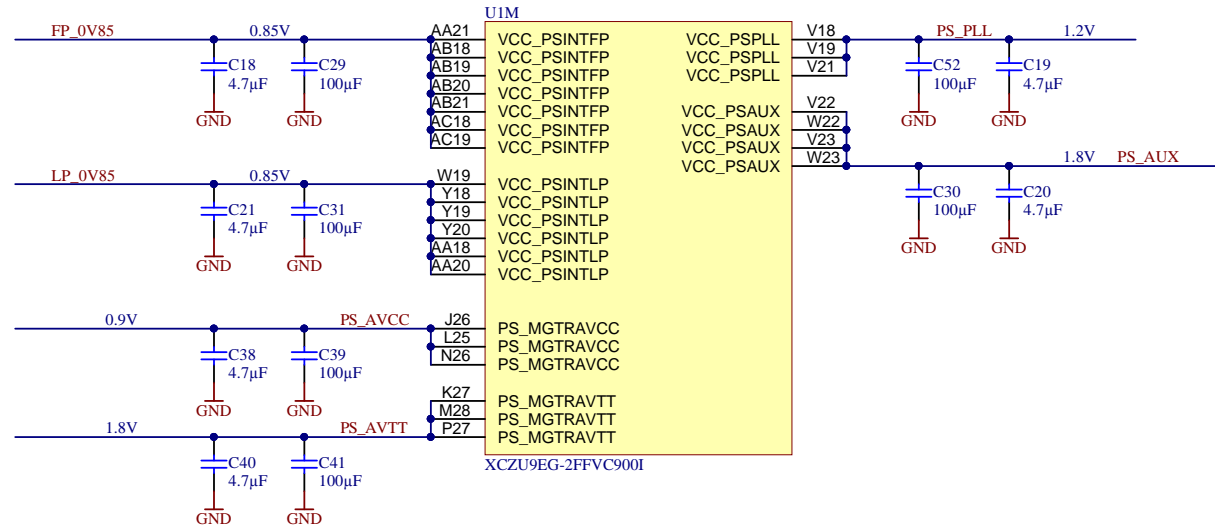
B


C

C

D

D



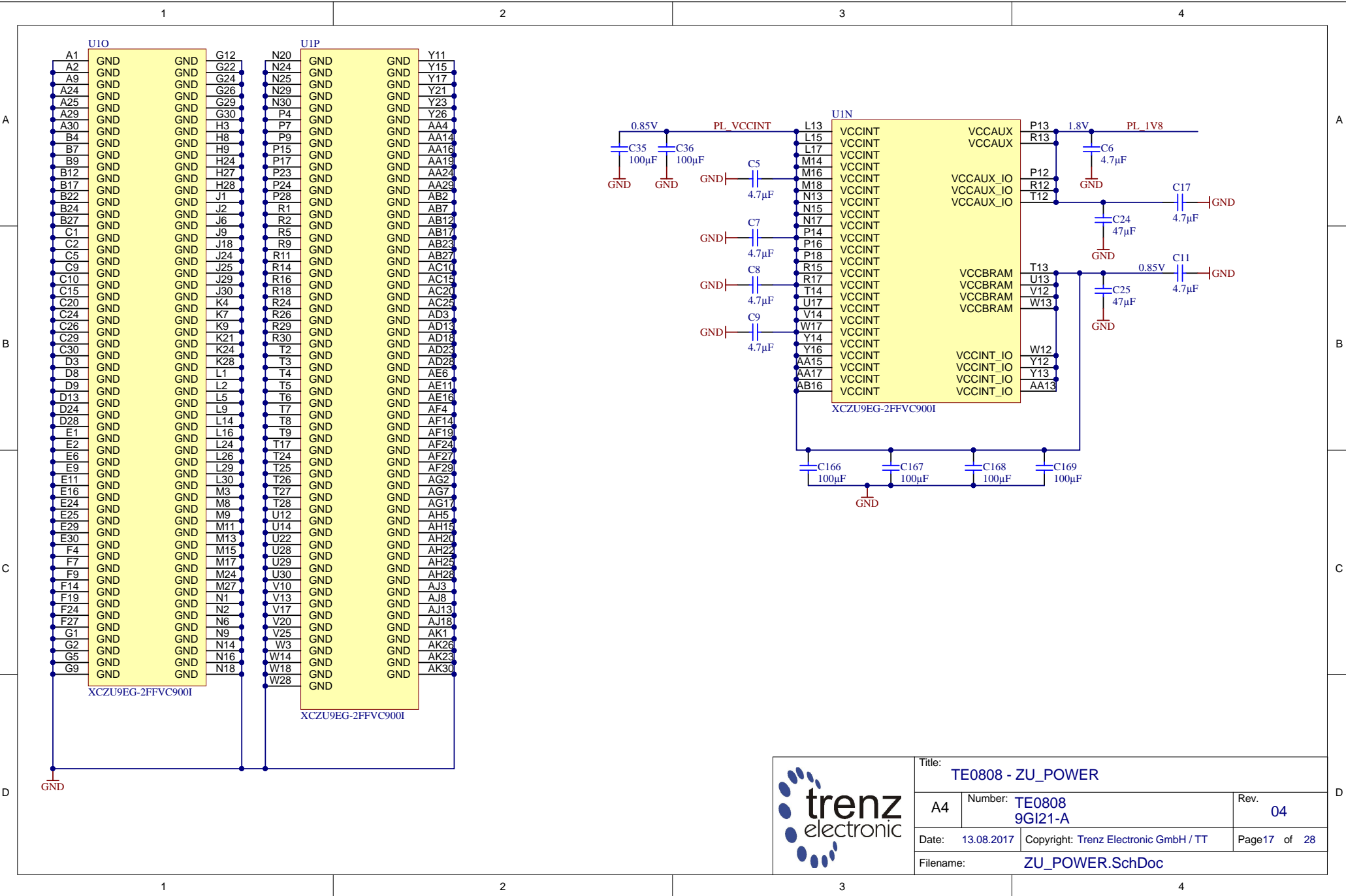
		Title: TE0808 - ZU_PS_POWER	
		A4	Number: TE0808 9GI21-A
Date: 13.08.2017		Copyright: Trenz Electronic GmbH / TT	
Filename: ZU_PS_POWER.SchDoc		Page 16 of 28	

1

2

3

4



Title: TE0808 - ZU_POWER		
A4	Number: TE0808 9GI21-A	Rev. 04
Date: 13.08.2017	Copyright: Trenz Electronic GmbH / TT	Page 17 of 28
Filename: ZU_POWER.SchDoc		

1

2

3

4

A

A

B

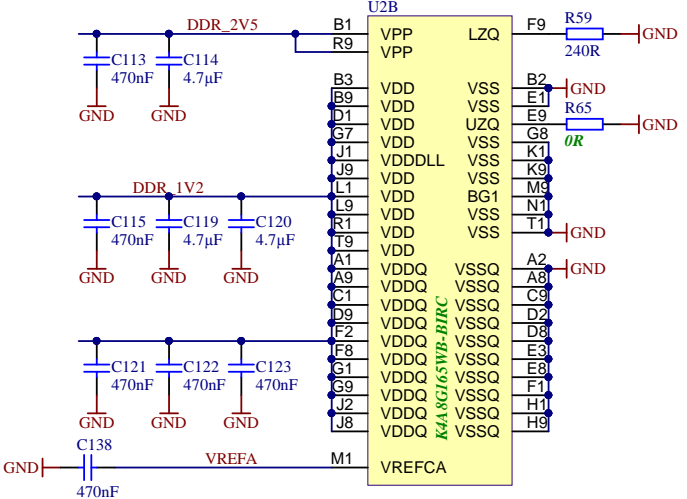
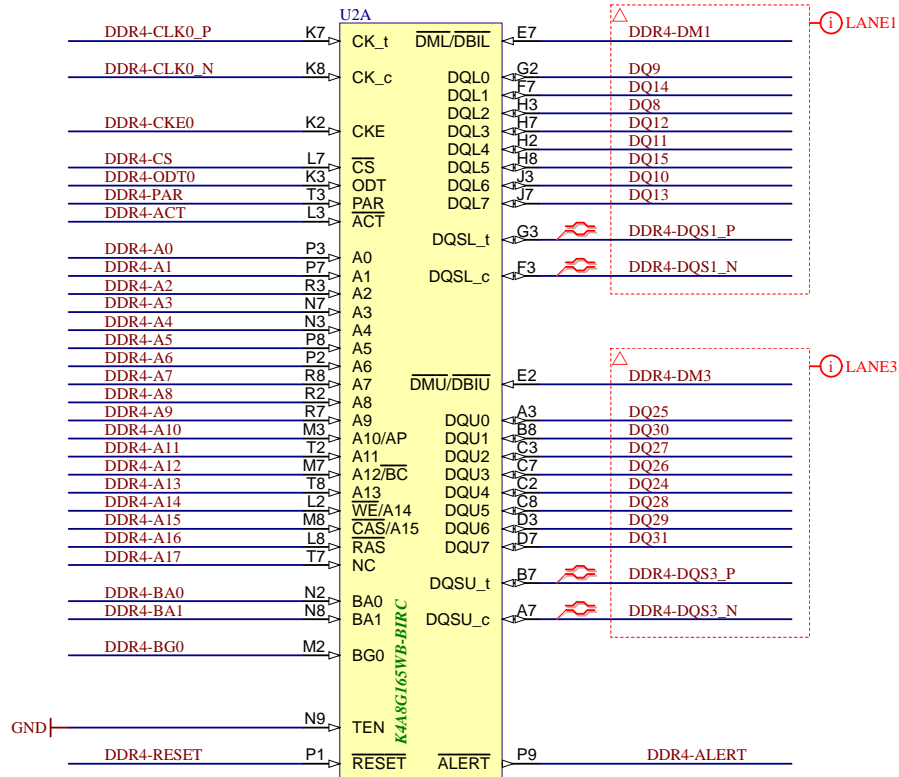
B

C

C

D

D



Title: TE0808 - DDR4_1_RAM		
A4	Number: TE0808 9GI21-A	Rev. 04
Date: 13.08.2017	Copyright: Trenz Electronic GmbH / TT	Page18 of 28
Filename: DDR4-RAM.SchDoc		

1

2

3

4

1

2

3

4

A

A

B

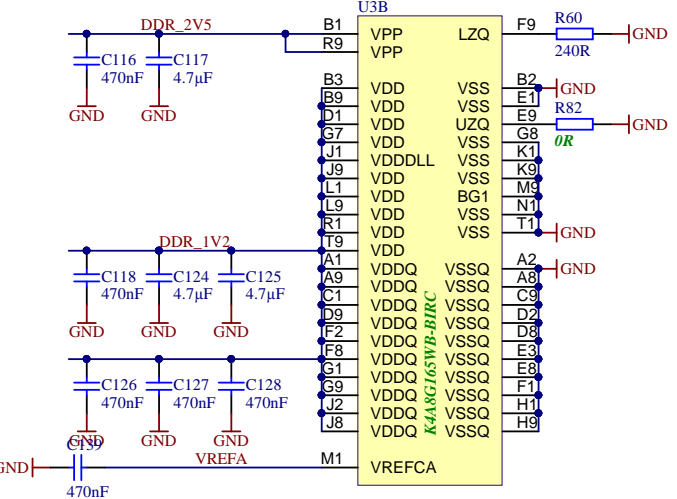
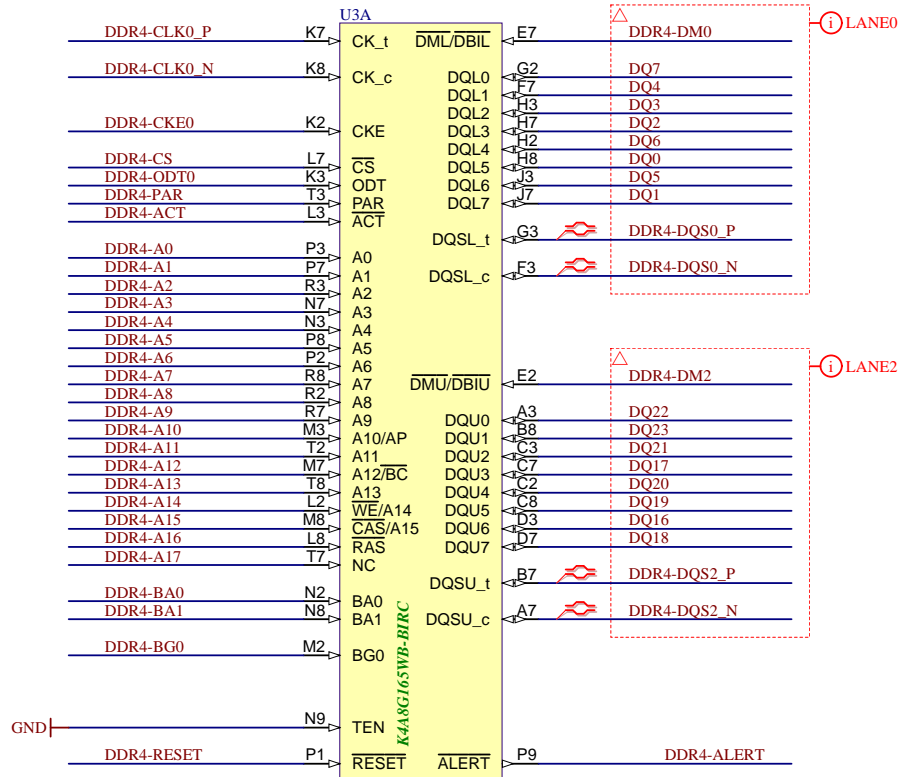
B

C

C

D

D



Title: TE0808 - DDR4_2_RAM		
A4	Number: TE0808 9GI21-A	Rev. 04
Date: 13.08.2017	Copyright: Trenz Electronic GmbH / TT	Page 19 of 28
Filename: DDR4-RAM_2.SchDoc		

1

2

3

4

1

2

3

4

A

A

B

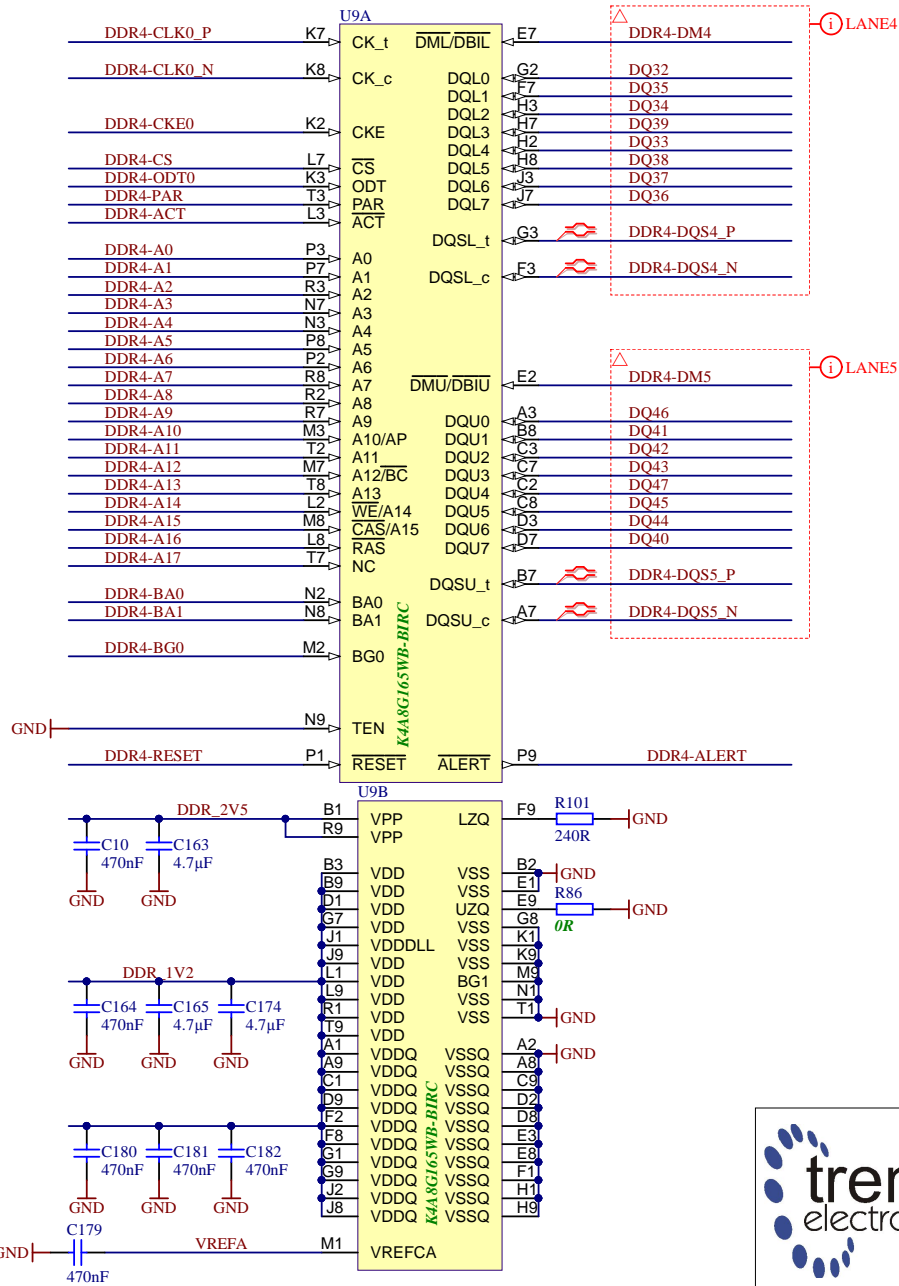
B

C

C

D

D



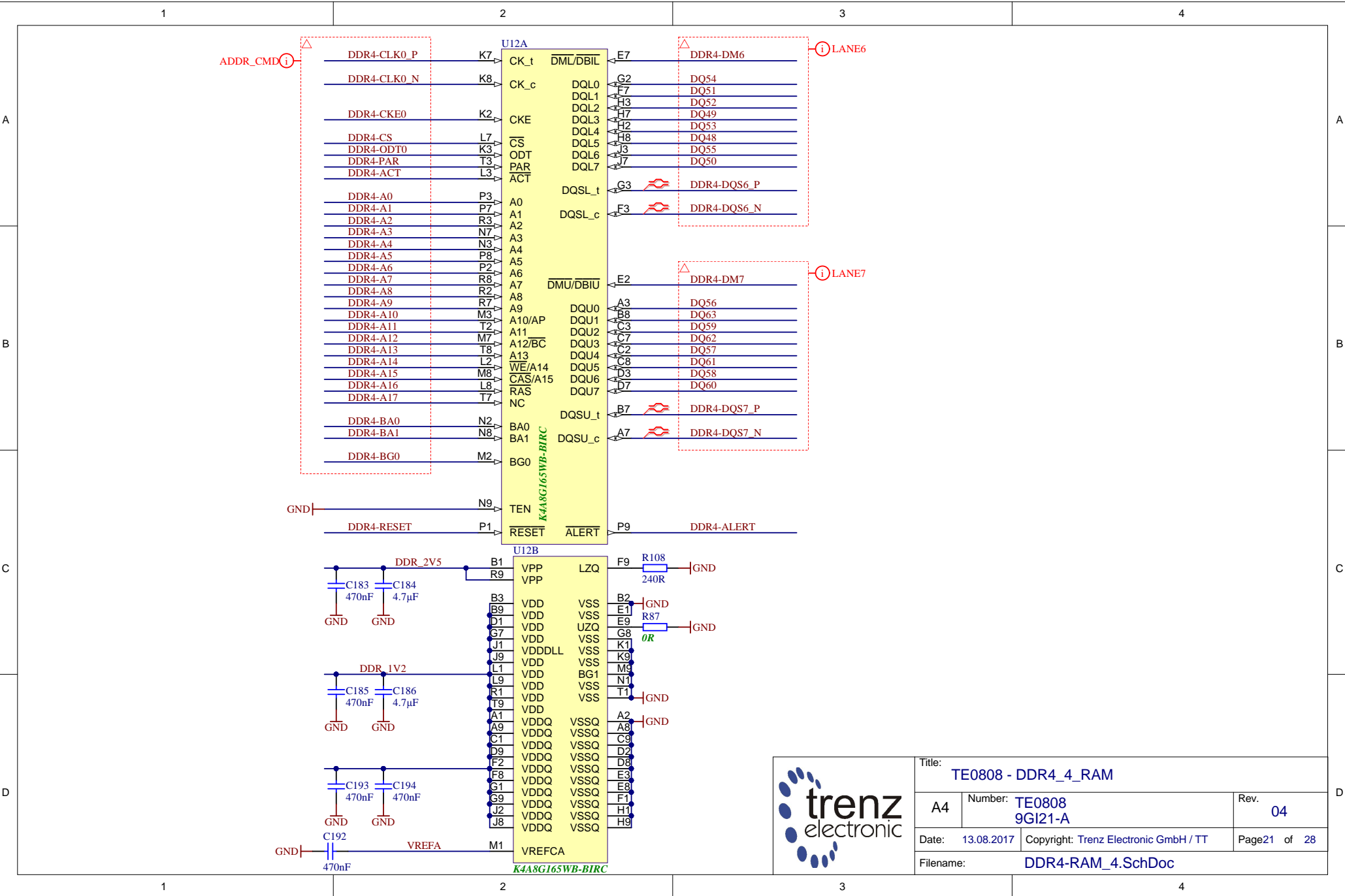
Title: TE0808 - DDR4_3_RAM		
A4	Number: TE0808 9G121-A	Rev. 04
Date: 13.08.2017	Copyright: Trenz Electronic GmbH / TT	Page20 of 28
Filename: DDR4-RAM_3.SchDoc		

1

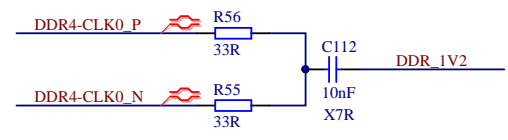
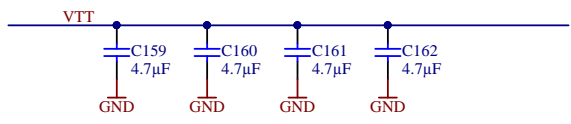
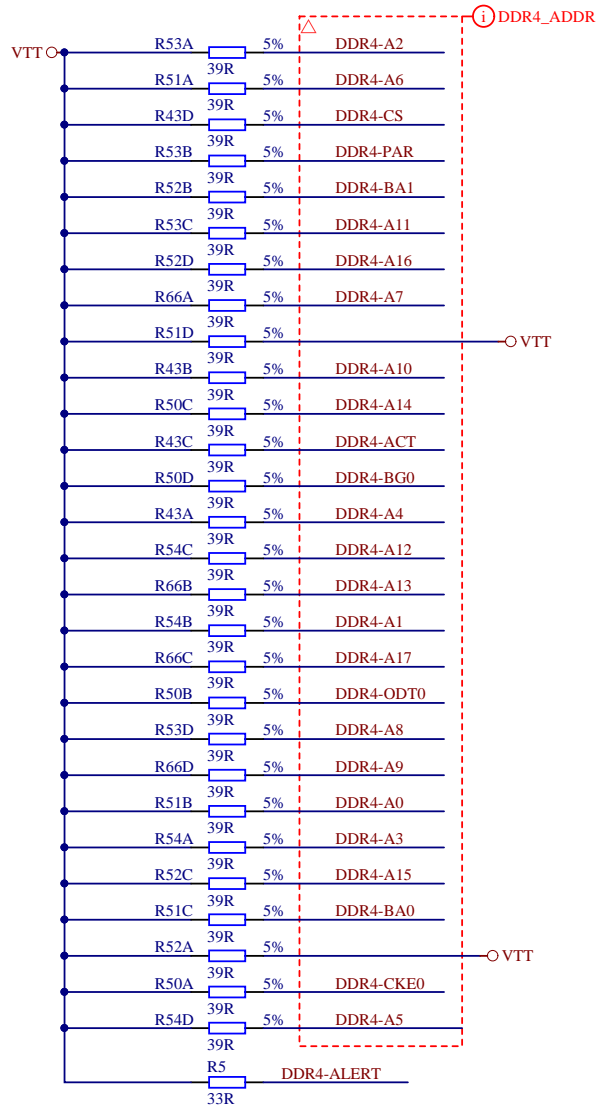
2

3

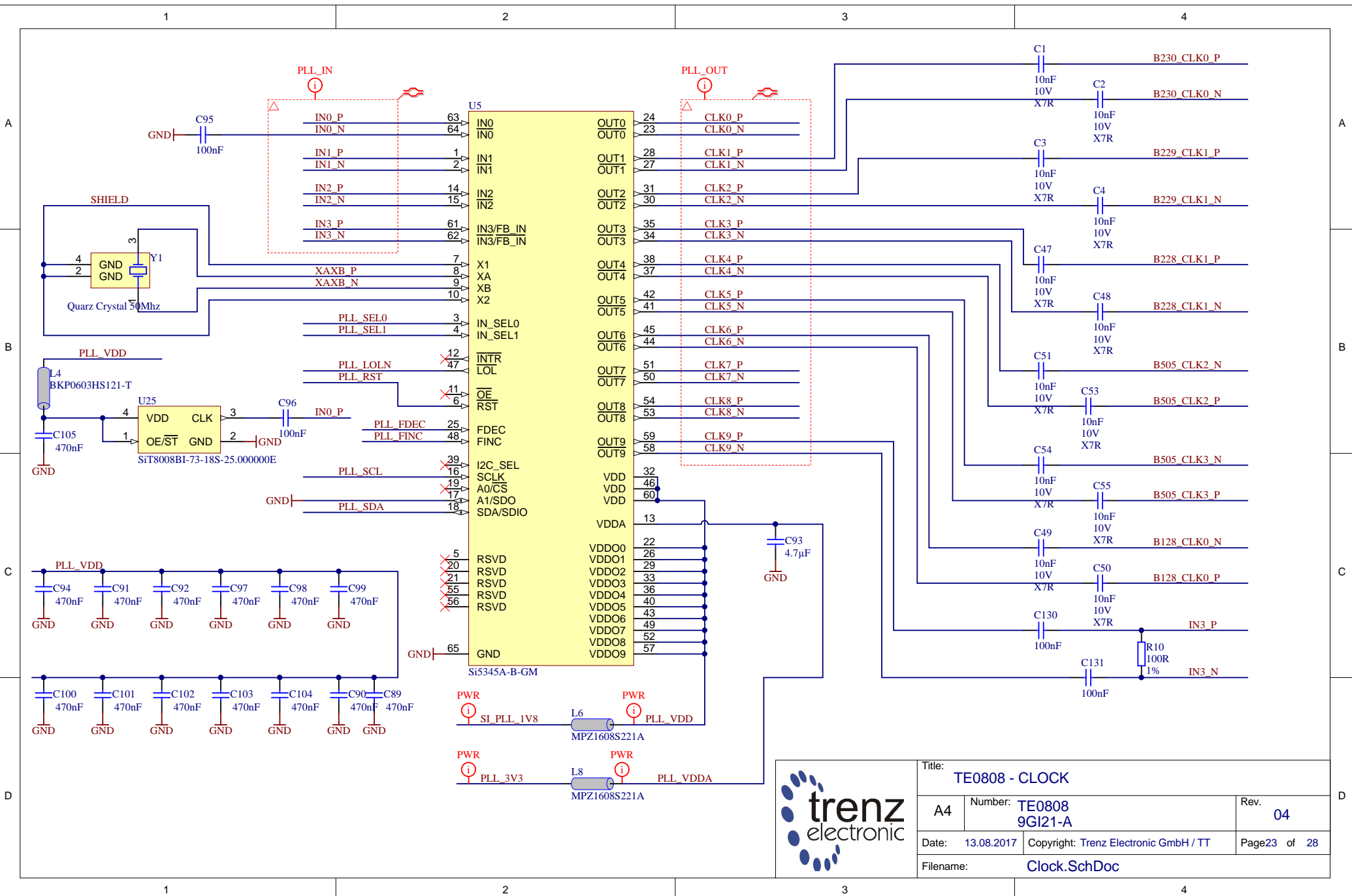

4



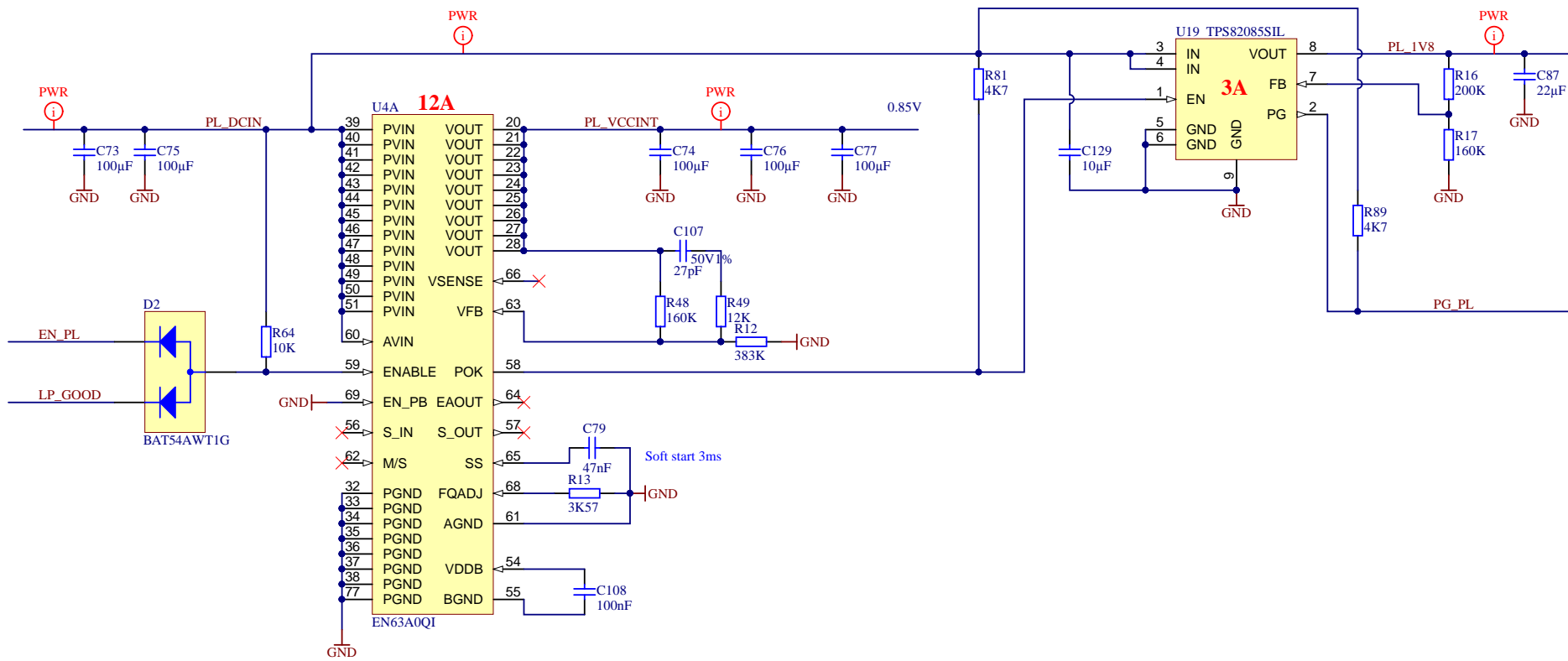
Title: TE0808 - DDR4_4_RAM		
A4	Number: TE0808 9G121-A	Rev. 04
Date: 13.08.2017	Copyright: Trenz Electronic GmbH / TT	Page 21 of 28
Filename: DDR4-RAM_4.SchDoc		



	Title: TE0808 - DDR4_TERM		
	A4	Number: TE0808 9GI21-A	Rev. 04
	Date: 13.08.2017	Copyright: Trenz Electronic GmbH / TT	Page22 of 28
	Filename: DDR4-TERM.SchDoc		

Title: TE0808 - CLOCK		
A4	Number: TE0808 9GI21-A	Rev. 04
Date: 13.08.2017	Copyright: Trenz Electronic GmbH / TT	Page23 of 28
Filename: Clock.SchDoc		



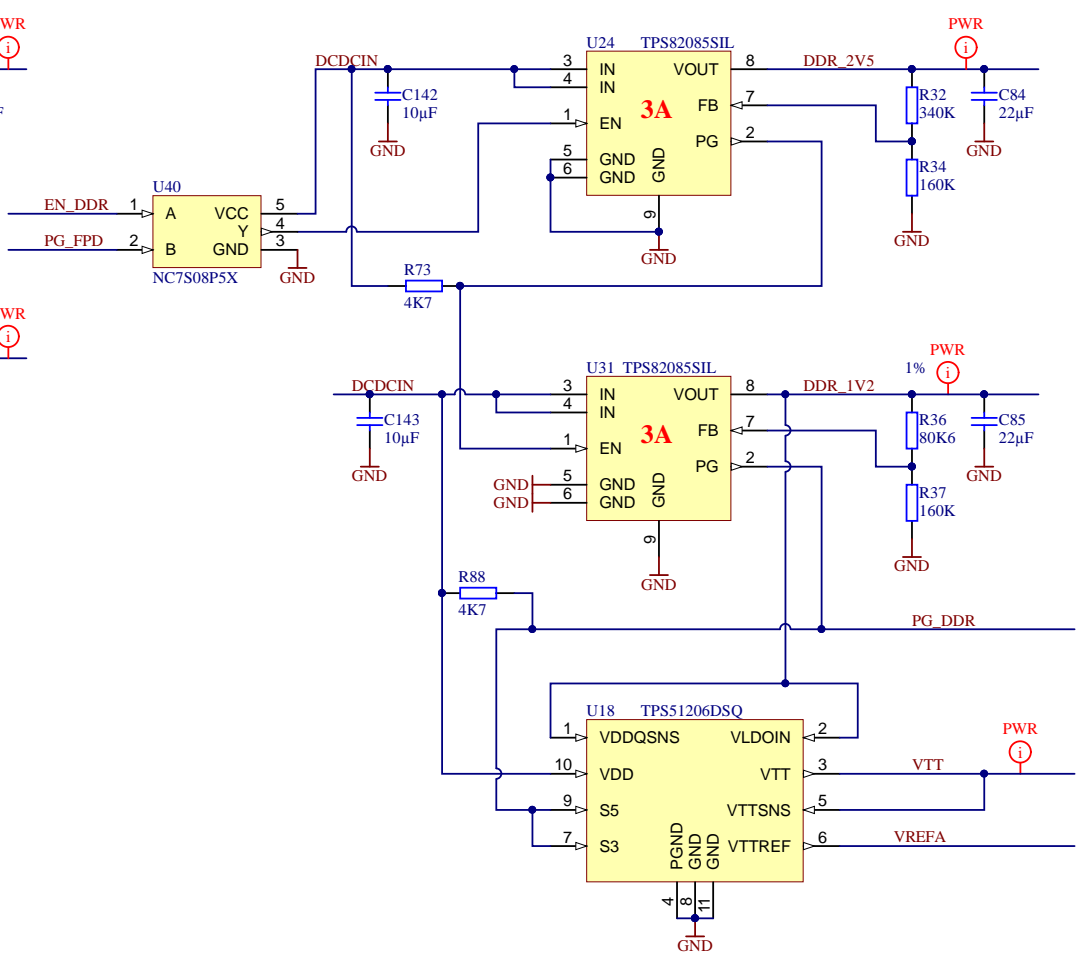
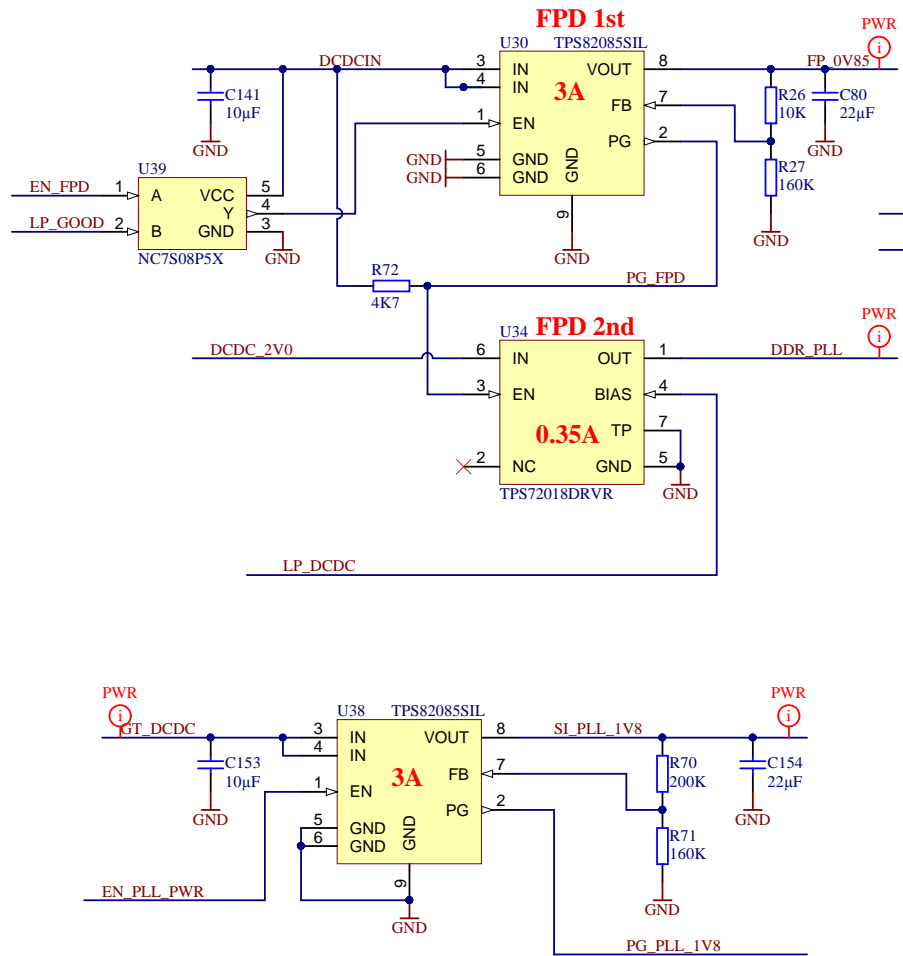
U4B


1	NC	NC	17
2	NC	NC	18
3	NC	NC	19
4	NC	NC	29
5	NC	NC	30
6	NC	NC(SW)	31
7	NC	NC(SW)	52
8	NC	NC	53
9	NC	NC	67
10	NC	NC(SW)	70
11	NC	NC(SW)	71
12	NC	NC(SW)	72
13	NC	NC	73
14	NC	NC	74
15	NC	NC	75
16	NC	NC	76

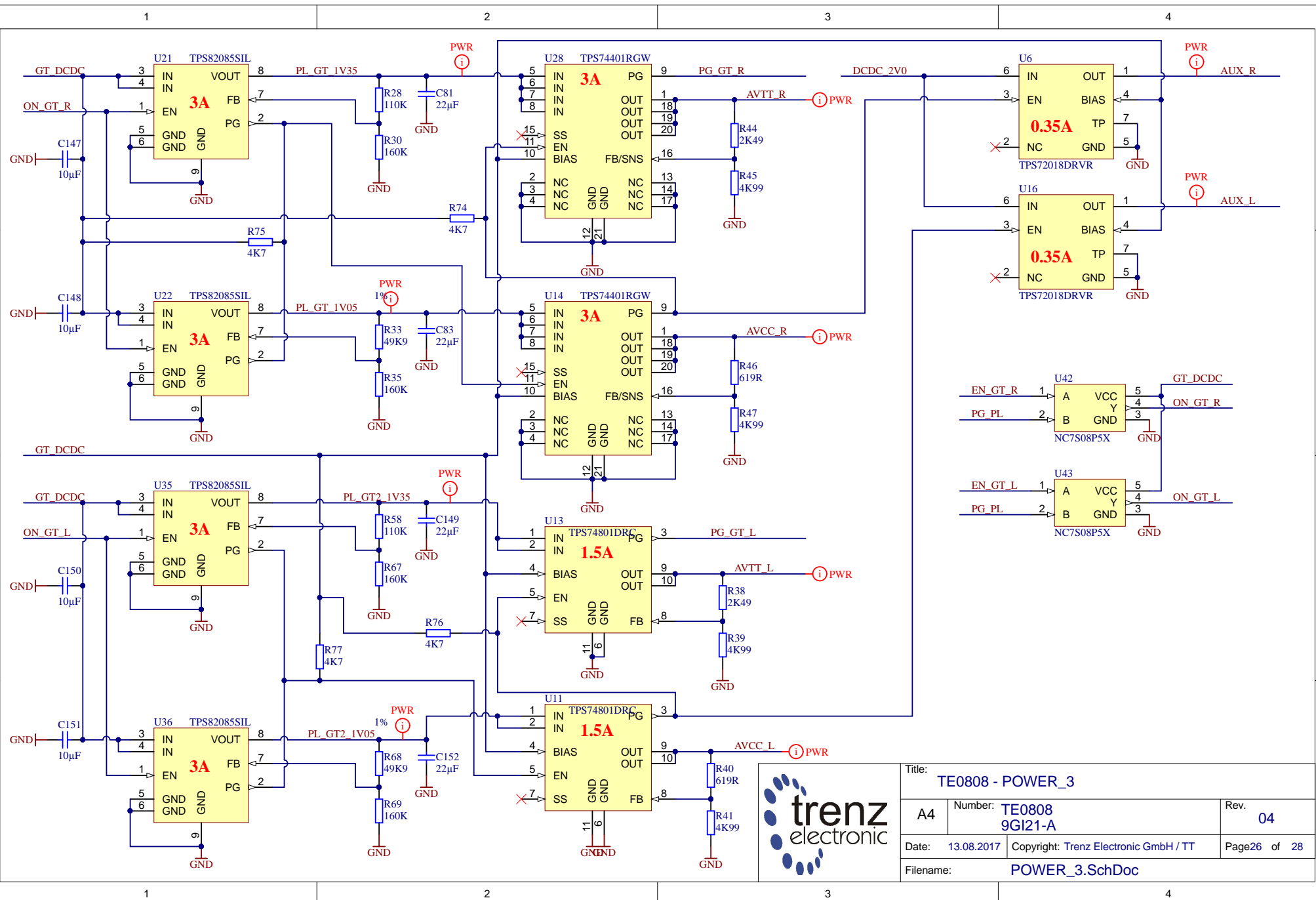
EN63A0QI



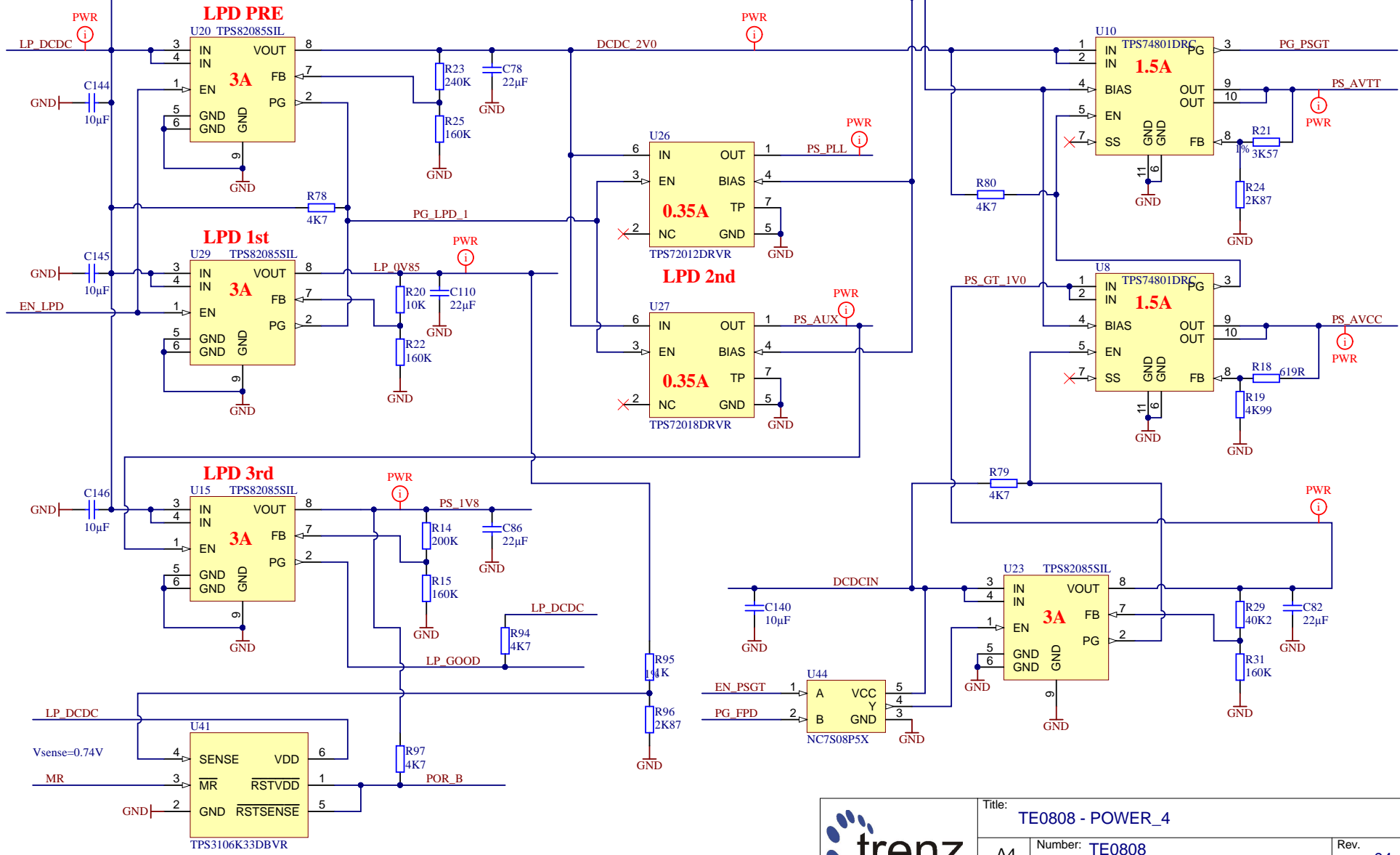
Title: TE0808 - POWER		
A4	Number: TE0808 9GI21-A	Rev. 04
Date: 13.08.2017	Copyright: Trenz Electronic GmbH / TT	Page24 of 28
Filename: POWER.SchDoc		




			Title: TE0808 - POWER_2	
			A4	Number: TE0808 9GI21-A
Date: 13.08.2017		Copyright: Trenz Electronic GmbH / TT		Page25 of 28
Filename: POWER_2.SchDoc				



Title: TE0808 - POWER_3		
A4	Number: TE0808 9G121-A	Rev. 04
Date: 13.08.2017	Copyright: Trenz Electronic GmbH / TT	Page26 of 28
Filename: POWER_3.SchDoc		



			Title: TE0808 - POWER_4	
			A4	Number: TE0808 9GI21-A
Date: 13.08.2017		Copyright: Trenz Electronic GmbH / TT		Page 27 of 28
Filename: POWER_4.SchDoc				

1

2

3

4

CHANGES REV03 to REV04

- 1) added resistors R65,R82,R86,R87 (240R) for each DDR4-chip for supporting DDP DDR4 chips
- 2) full update lib

A

A

B

B

C

C

D

D

1

2

3

4



Title: TE0808 - Changes list		
A4	Number: TE0808 9GI21-A	Rev. 04
Date: 13.08.2017	Copyright: Trenz Electronic GmbH	Page28 of 28
Filename: Revision_Changes.SchDoc		