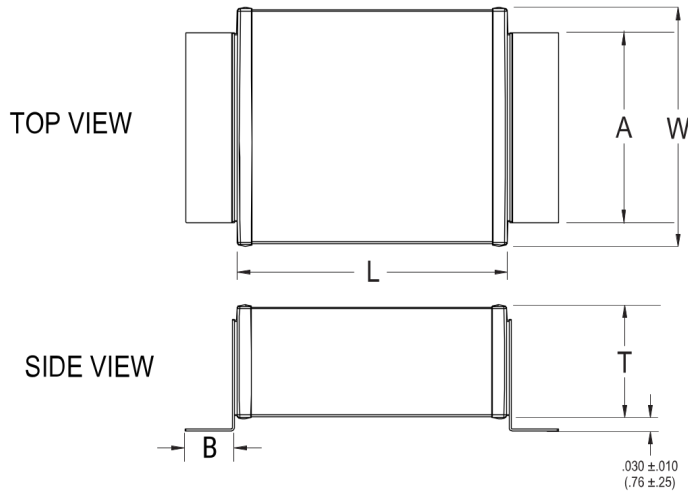


## SM24B472K502AM

KPS SM SMD Indust X7R HV, Ceramic, 4700 pF, 10%, 5000 VDC, X7R, SMD, Fixed, High Volt, Low ESR, Leaded, Mil-Screen, SM24



Click [here](#) for the 3D model.

Dimensions	
Chip Size	SM24
L	11.43mm +/-0.762mm
W	10.16mm +/-0.762mm
T	5.588mm MAX
A	7.62mm MAX
B	2.54mm +/-0.508mm

Packaging Specifications	
Packaging	Tray
Packaging Quantity	50

General Information	
Series	KPS SM SMD Indust X7R HV
Style	SMD Chip
Description	SMD, Fixed, High Volt, Low ESR, Leaded, Mil-Screen
Features	Low ESR, Mil-Screen
RoHS	With Exemptions
REACH	SVHC (Pb – CAS 7439-92-1)
Termination	Silver
Marking	No
Testing and Reliability	Level A
AEC-Q200	No
Shelf Life	78 Weeks
MSL	1

Specifications	
Capacitance	4700 pF
Capacitance Tolerance	10%
Voltage DC	5000 VDC
Dielectric Withstanding Voltage	6000 VDC
Temperature Range	-55/+125°C
Temperature Coefficient	X7R
Dissipation Factor	2.5%
Insulation Resistance	100 GOhms
Quality Factor	3

Statements of suitability for certain applications are based on our knowledge of typical operating conditions for such applications, but are not intended to constitute - and we specifically disclaim - any warranty concerning suitability for a specific customer application or use. This information is intended for use only by customers who have the requisite experience and capability to determine the correct products for their application. Any technical advice inferred from this information or otherwise provided by us with reference to the use of our products is given gratis, and we assume no obligation or liability for the advice given or results obtained.