

6

5

4

3

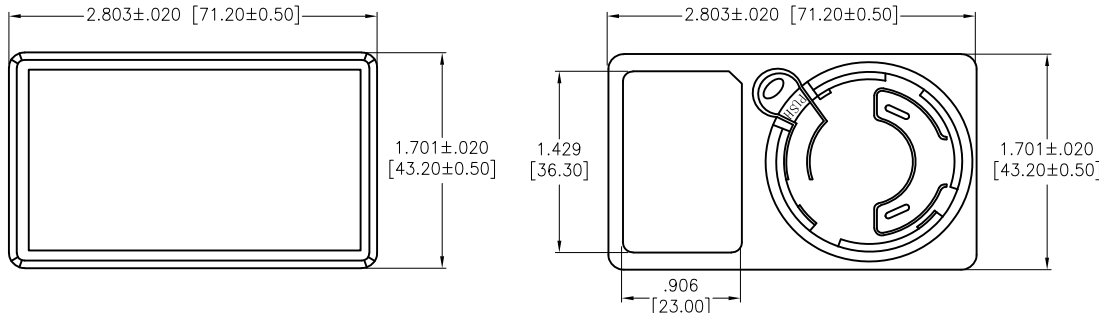
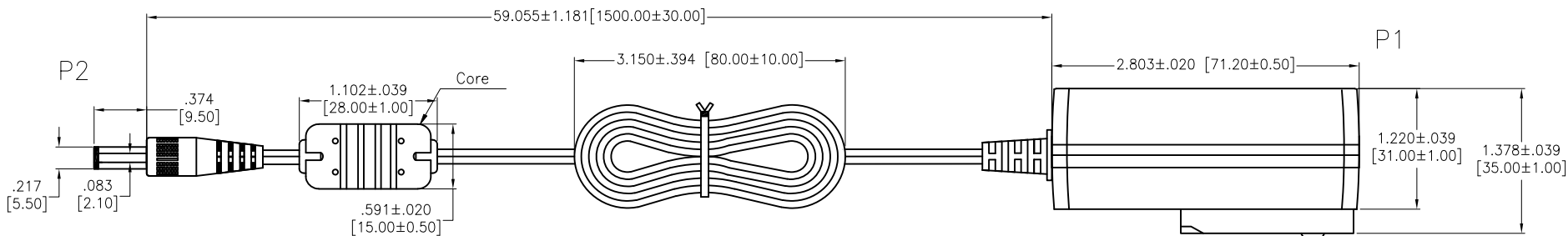
2

1

APPROVED: \_\_\_\_\_

DATE: \_\_\_\_\_ TITLE: \_\_\_\_\_

Rev	AWO #	Description	Date	Appr
-		RELEASED	3/22/21	
A		UPDATE LABEL	7/19/21	WX/AC



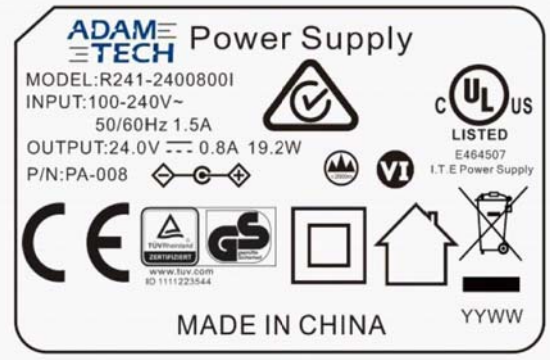
**SPECIFICATIONS:**

- Connector
- P1: Power Adapter, W/Strain
- P2: DC Plug, W/Strain Relief, AC PIN: Brass Nickel plated, 5.5\*2.1\*9.5mm
- Overmold Color: Black PVC-45P

**CABLE:**  
 UL2468: 24AWG\*2C 80°C, Jacket Color: Black

**Electrical:**  
**Input:**  
 Voltage: 100Vac to 240Vac  
 Current: 1.5A Max. @ 100Vac input & max load  
 Frequency: 50Hz / 60Hz  
**Output:**  
 Voltage: 24V  
 Current: 0.8A max.  
 Load Regulation: ±5%  
 Line Regulation: ±3%

Line Load Regulation-Output Rate: 24V, 0.8A  
 Insulation Resistance: 100 Mohms min @ 500VDC  
 Dielectric withstanding voltage (Hi-pot): 3,000V AC For 1 Minute  
 Leakage Current: 0.25mA max. @ 240V AC/50Hz  
 Temperature Rating:  
 Operating Temperature: 0°C to +45°C  
 Storage Temperature: -25°C to +85°C  
 Environmental:  
 Lead free, RoHS compliant.



SEE SHT 2 OF 2 FOR PLUG TYPE OPTIONS

UNLESS OTHERWISE SPECIFIED ALL DIMENSIONS ARE INCHES [MM] TOLERANCES: EXCEPT AS NOTED			
INCHES		HOLES	
.X	± .10	Ø.X	± .10
.XX	± .020	Ø.XX	± .015
.XXX	± .015	Ø.XXX	± .010
APPROVALS		DATE	
DRAWN	WX	3/22/21	
CHECKED	AC	3/22/21	
APPROVED			

**ADAM TECH** 909 Rahway Avenue,  
 Union, NJ 07083  
 Phone: 908-687-5000  
 Fax: 908-687-5710

TITLE: POWER ADAPTER TO DC PLUG, COLOR BLACK  
 24 VOLT, 0.8AMP, UL2468 24AWG

SIZE X	PART NO. PA-008-X	REV. A
REF:	SCALE: NTS	SHEET 1 OF 2

6

5

4

3

2

1

6

5

4

3

2

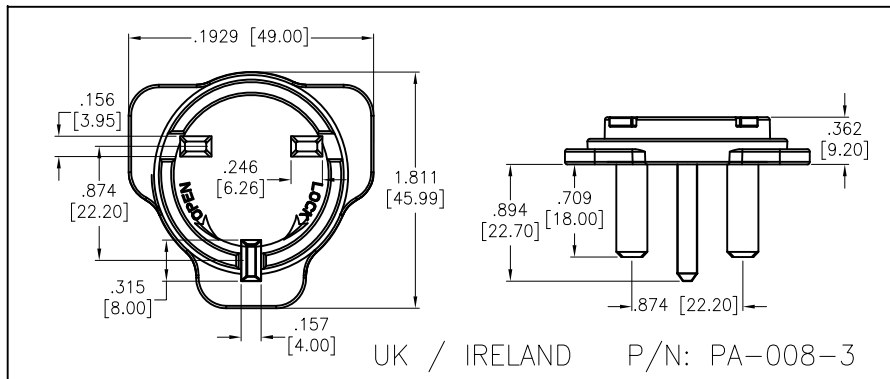
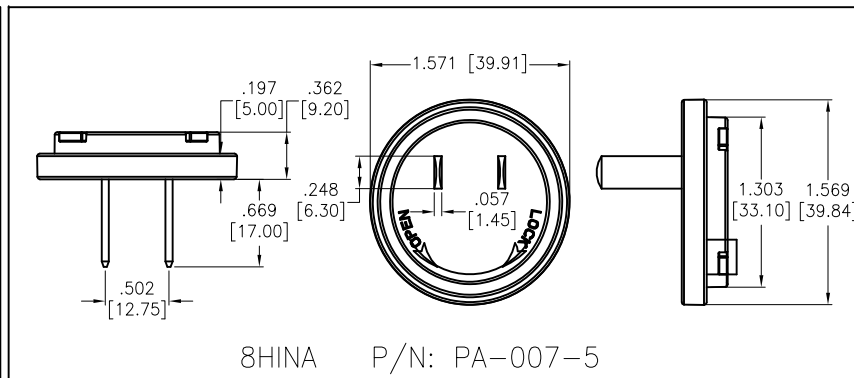
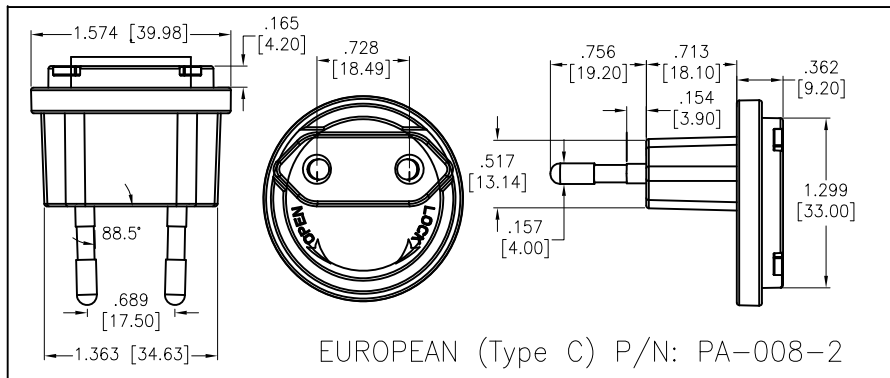
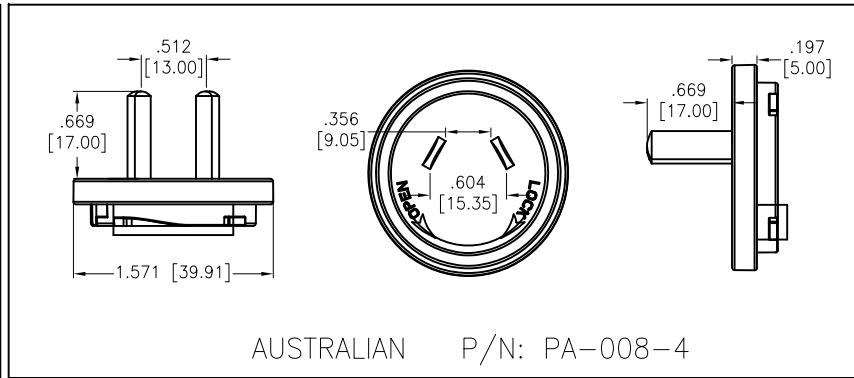
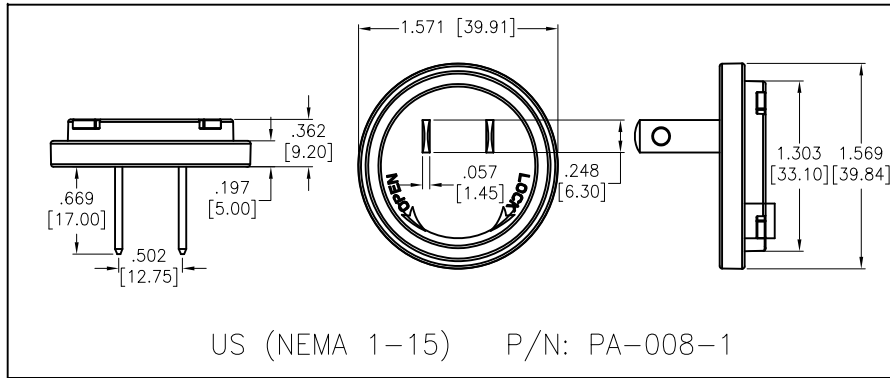
1

APPROVED: \_\_\_\_\_

DATE: \_\_\_\_\_ TITLE: \_\_\_\_\_

Rev	AWO #	Description	Date	Appr
-----	-------	-------------	------	------

SEE SHT 1 OF 2 FOR REVISION



UNLESS OTHERWISE SPECIFIED  
ALL DIMENSIONS ARE INCHES [MM]  
TOLERANCES: EXCEPT AS NOTED

.X ± .10	∅X ± .10
.XX ± .020	∅XX ± .015
.XXX ± .015	∅XXX ± .010

APPROVALS		DATE
DRAWN	WX	3/22/21
CHECKED	AC	3/22/21
APPROVED		

**ADAM TECH** 909 Rahway Avenue,  
Union, NJ 07083  
Phone: 908-687-5000  
Fax: 908-687-5710

TITLE: POWER ADAPTER TO DC PLUG, COLOR BLACK  
24 VOLT, 0.8AMP, UL2468 24AWG

SIZE	PART NO.	REV.
X	PA-008-X	A

REF: \_\_\_\_\_ SCALE: NTS SHEET 2 OF 2

6

5

4

3

2

1