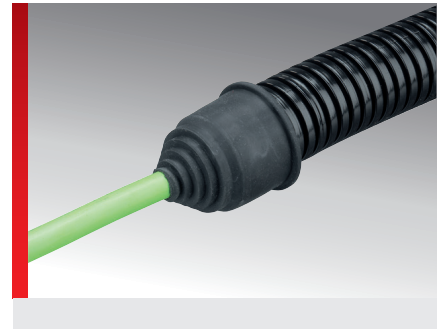
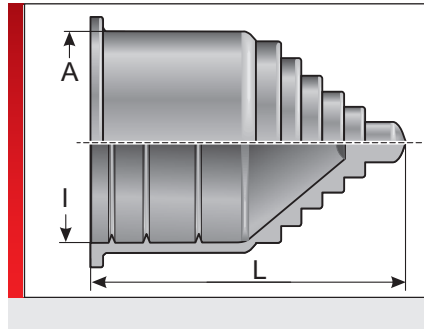


## Type ET (end grommet)



### PRODUCT INFORMATION

The type ET end sleeve is made of TPE and is used, for example, to close off the open end of a protective conduit, or as centring device for exiting lines. The end sleeve features the following advantages:

- Opening of end sleeve variable (depending on the cable diameter used)
- Easy assembly
- Fixing of end sleeve to the cable protection conduit using ribs running round the inside

### SPECIFICATIONS

- Thermoplastic elastomer
- IP 67
- 40 – 100 °C transient / short term  
120 °C
- HB
- HF
- RoHS

Type	Order No.	Colour	Suitable for Murrflex	A mm	I mm	L mm	Cable Ø mm	Pack qty.
ET 07	83723450	Black	Pg06 ; M10/P7	13.00	10.00	29.00	1.00 / 8.00	50
ET 09	83723452	Black	M12/P9	16.00	13.00	32.50	1.00 / 10.00	50
ET 11	83723454	Black	M16/P11	19.00	15.80	36.50	4.00 / 12.00	50
ET 16	83723456	Black	M20/P16(S)	25.00	21.20	37.50	6.00 / 16.50	50
ET 21	83723458	Black	M25/P21(S)	32.00	28.50	40.20	6.00 / 23.00	25
ET 29	83723460	Black	M32/P29(S)	39.00	34.50	44.20	6.00 / 29.00	25
ET 36	83723462	Black	M40/P36(S)	46.00	42.50	46.00	10.00 / 37.00	25
ET 48	83723464	Black	M50/P48(S)	59.00	54.50	52.00	10.00 / 47.00	10
ET 07	83723410	Grey	Pg06 ; M10/P7	13.00	10.00	29.00	1.00 / 8.00	50
ET 09	83723412	Grey	M12/P9	16.00	13.00	32.50	1.00 / 10.00	50
ET 11	83723414	Grey	M16/P11	19.00	15.80	36.50	4.00 / 12.00	50
ET 16	83723416	Grey	M20/P16(S)	25.00	21.20	37.50	6.00 / 16.50	50
ET 21	83723418	Grey	M25/P21(S)	32.00	28.50	40.20	6.00 / 23.00	25
ET 29	83723420	Grey	M32/P29(S)	39.00	34.50	44.20	6.00 / 29.00	25
ET 36	83723422	Grey	M40/P36(S)	46.00	42.50	46.00	10.00 / 37.00	25
ET 48	83723424	Grey	M50/P48(S)	59.00	54.50	52.00	10.00 / 47.00	10

### MATERIAL PROPERTIES

Thermoplastic elastomer

### MECHANICAL PROPERTIES

**Protection class**  
IP 67

## Type ET (end grommet)

### THERMAL PROPERTIES



**Temperature / temperature range**  
-40 – 100 °C transient / short term 120 °C

### FIRE BEHAVIOUR



**Fire classification**  
HB

### TECHNICAL INFORMATION



**Halogen-free**

### CONFORMITY



**RoHS (EC Directive 2002/95/EC)**

All details given in our sales material prospectuses and catalogues as well as the information available online are based on our current knowledge of the products described.

The electronic data and files made available by Murrplastik, particularly CAD files are based on our current knowledge of the product described.

A legally binding assurance of certain properties or the suitability for a certain purpose can not be determined from this information.

All information with respect to the chemical and physical properties of Murrplastik products as well as application advice given verbally, in writing or by tests, is given to the best of our knowledge.

This does not free the purchaser of carrying out their own inspections and tests in order to determine the suitability of a product for a specific purpose.

Murrplastik accepts no responsibility for the available information being up-to-date, correct or complete. Neither do we accept responsibility for the quality of this information.

Murrplastik accepts no liability for damage caused as a result of using our products.

Murrplastik reserves the right to make technical changes and improvements through constant further development of products and services.

Our General Terms and Conditions apply.

© Murrplastik Systemtechnik GmbH • proID\_66549~20170303~890283~suv\_et