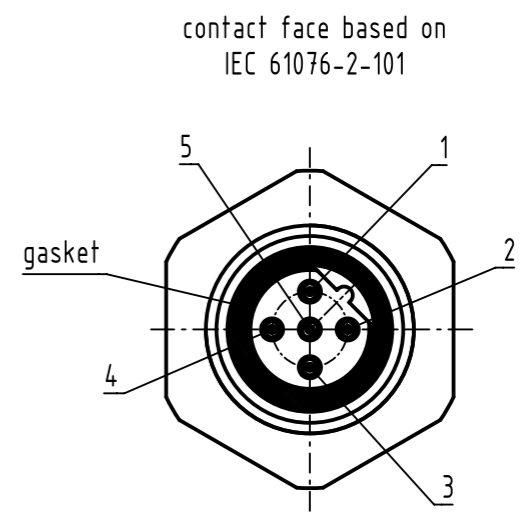
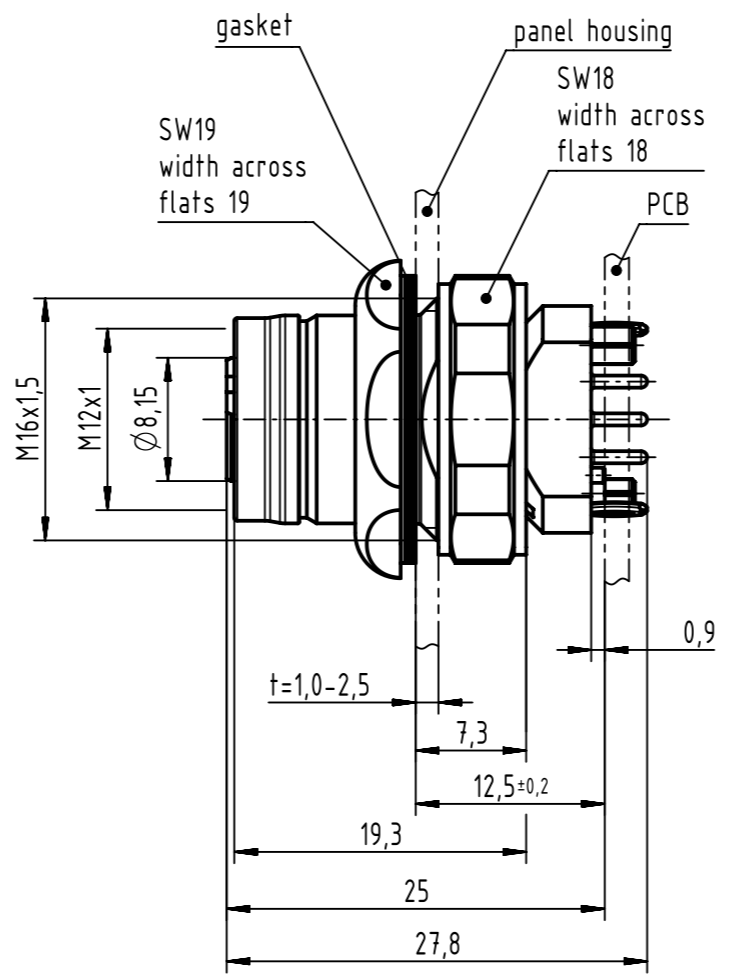


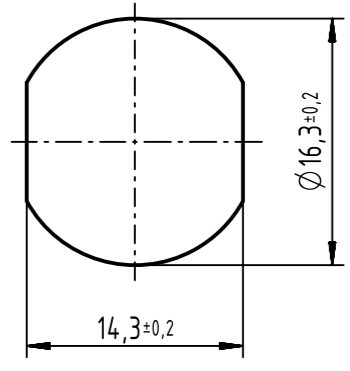
Ø21

A →

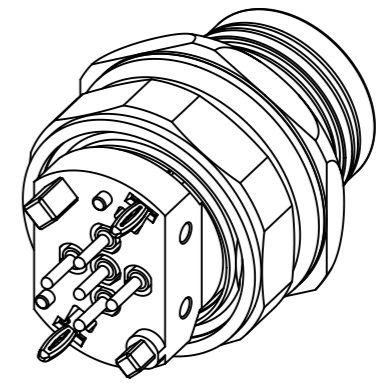
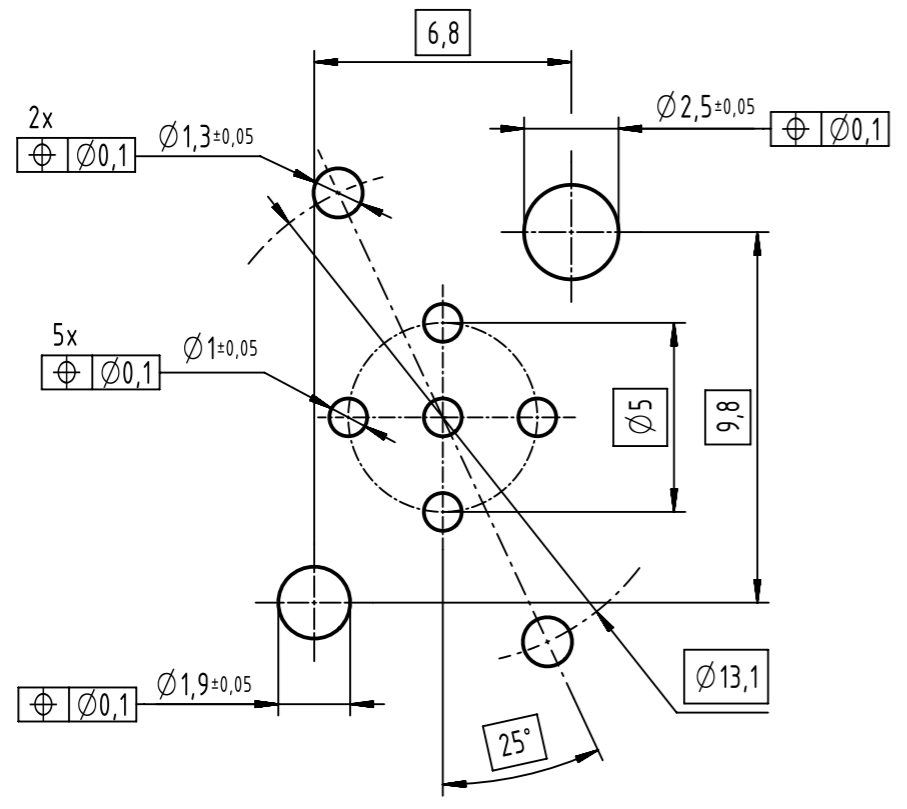


contact face based on IEC 61076-2-101

panel cut out



A (5:1)
recommended PCB-layout



- 1 pcs. single package

	All rights reserved		Created by		Inspected by		Standardisation		Date		State		
	Department EC PD - DE		STORCK		WELLMANN		KOHLER		2015-08-04		Final Release		
HARTING Electronics GmbH		Title HARTING M12 PCB receptacle female B-coded 5-pole front								Doc-Key / ECM-Nr.		Page	
D-32339 Espelkamp		Type TB		Number 21033412531				Rev. E		50000092599		1/1	