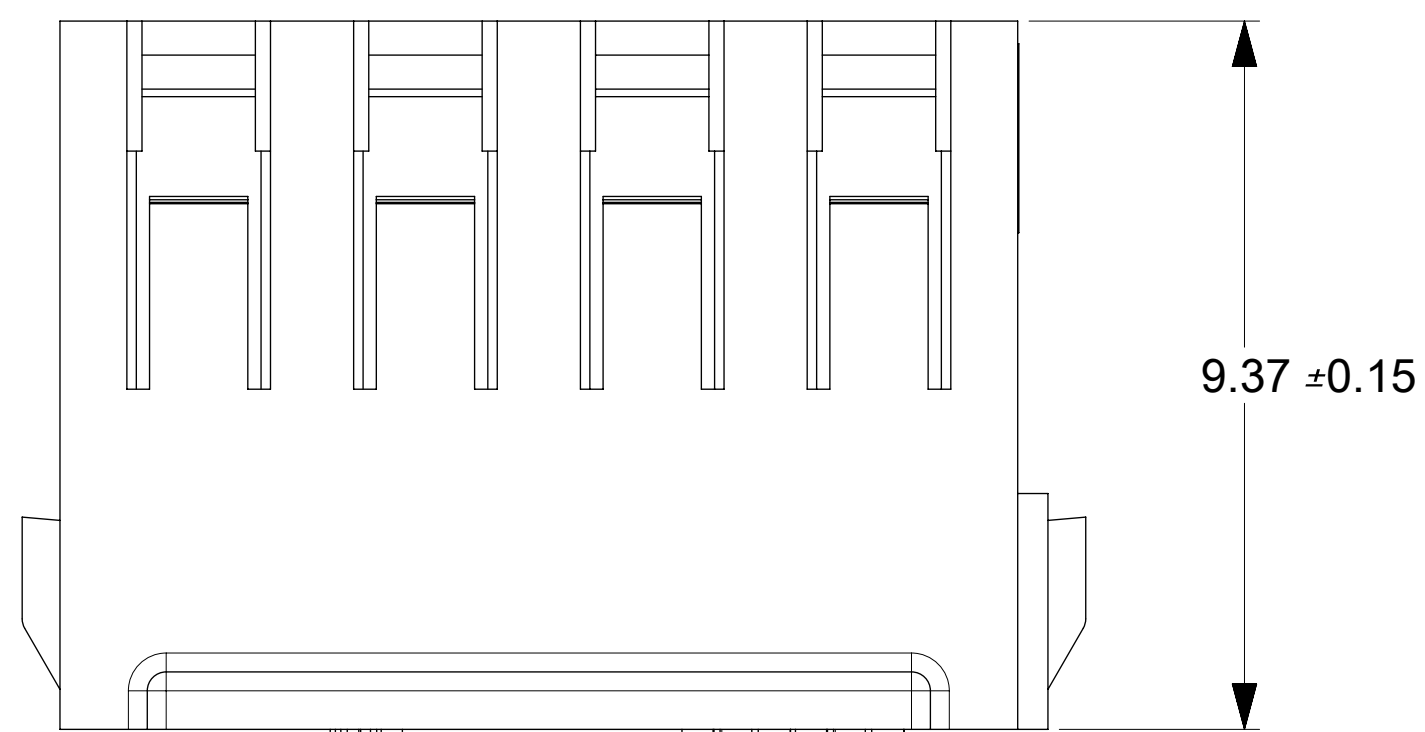
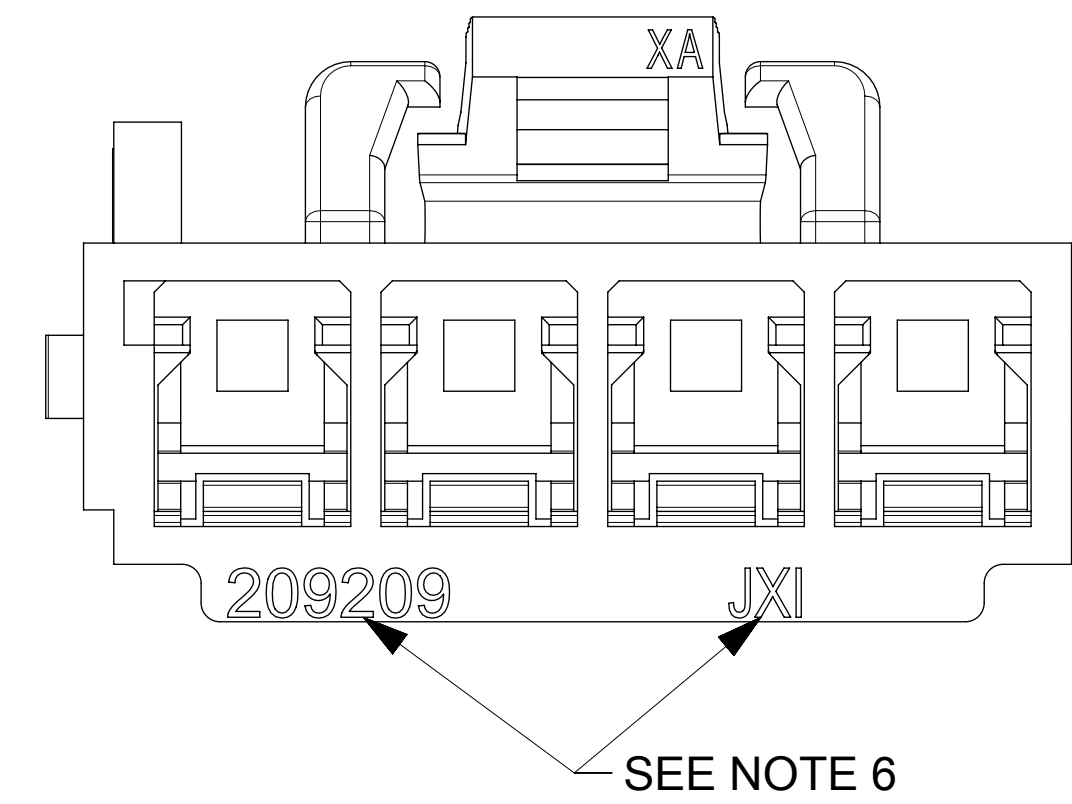
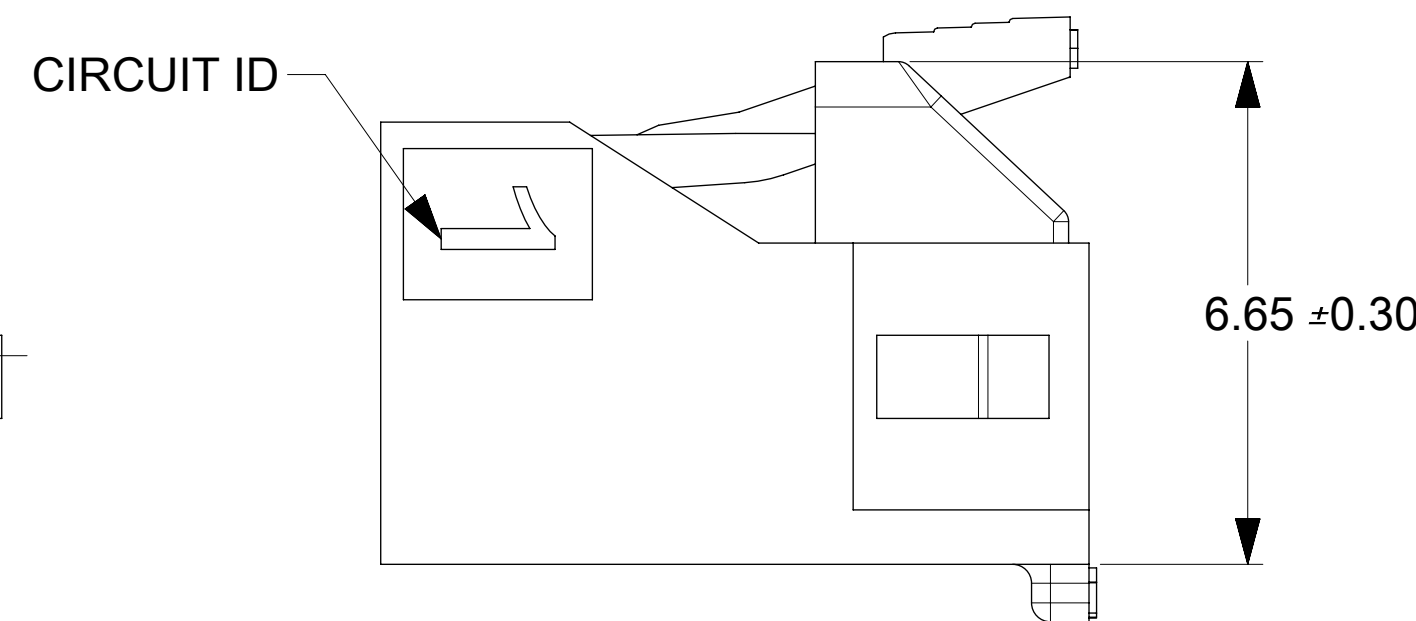
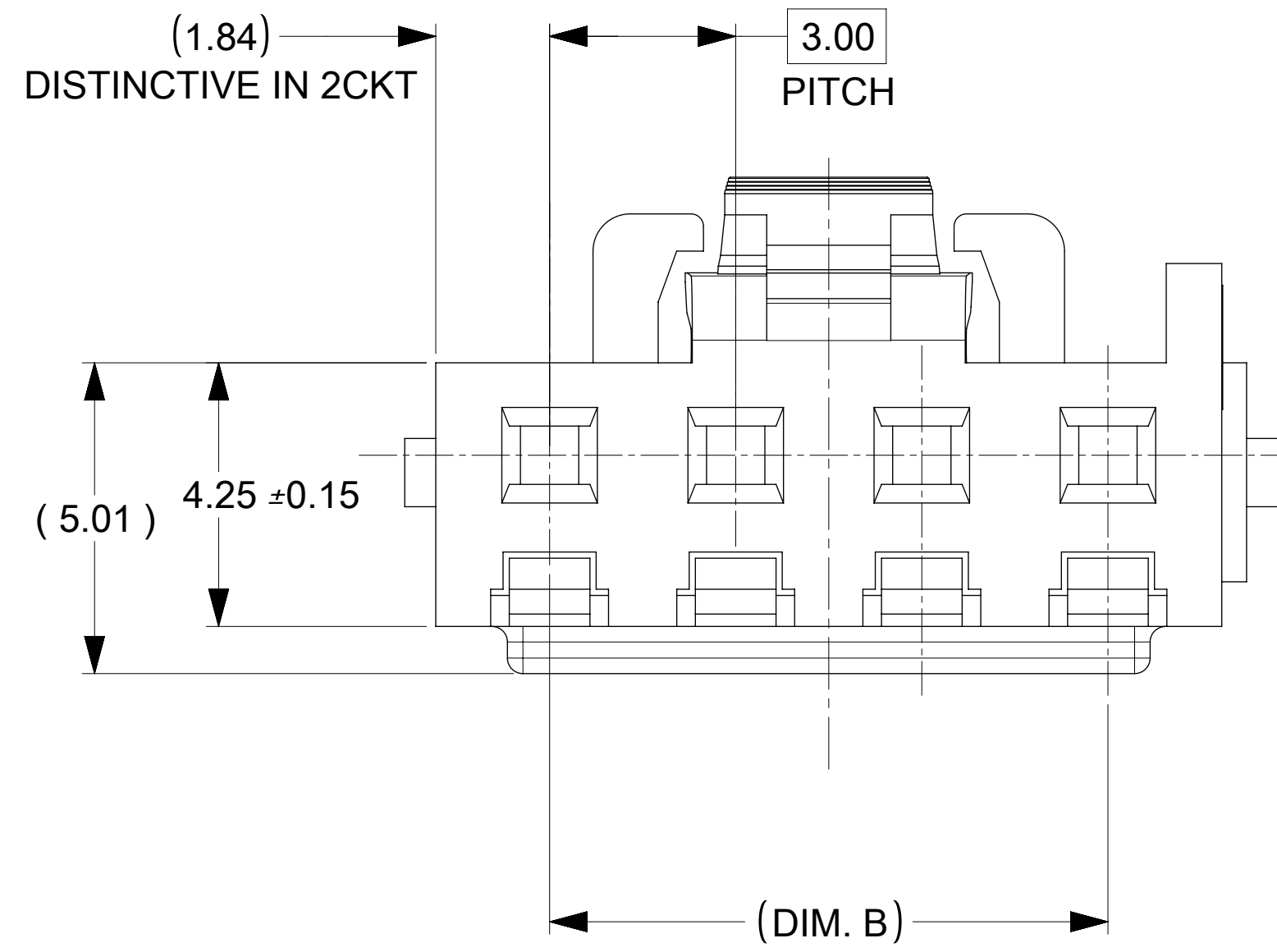
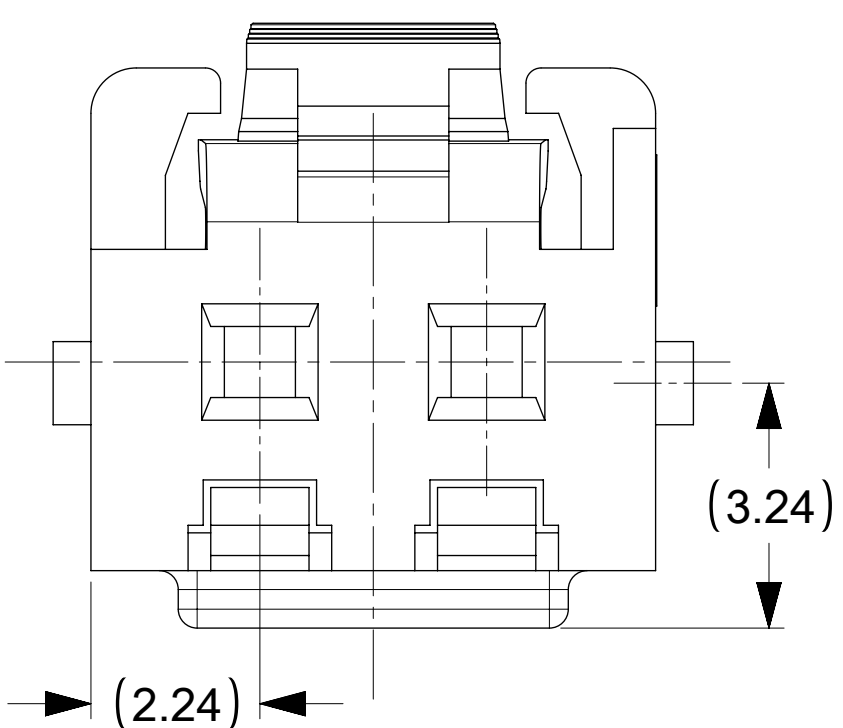


ISOMETRIC VIEW FOR 4 CIRCUIT



CKT	PART NUMBER	DIM.A	DIM. B
02	2092090002	7.47	3.00
03	2092090003	9.67	6.00
04	2092090004	12.67	9.00

DISTINCTIVES IN 2 CIRCUIT



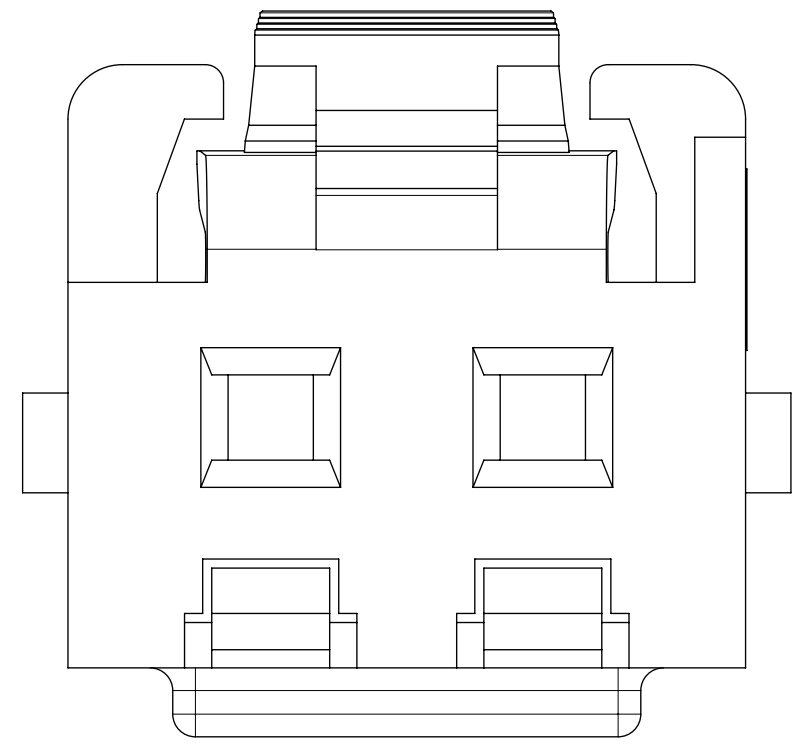
- NOTES:
 1. MATERIAL: PA66, UL 94V-0, COLOR-BLACK
 2. PRODUCT SPECIFICATION: 2092080000-PS
 3. PACKAGING SPECIFICATION: 2092090000-PK
 4. COSMETIC SPECIFICATION: PS-45499-002, CLASS B
 5. HOUSING ACCEPTS TERMINALS FROM 206396 SERIES AND TERMINLA POSITION ASSURANCE (TPA) 209325 SERIES
 6. MOLEX LOGO AND SERIES ID

SYMBOLS	THIS DRAWING CONTAINS INFORMATION THAT IS PROPRIETARY TO MOLEX ELECTRONIC TECHNOLOGIES, LLC AND SHOULD NOT BE USED WITHOUT WRITTEN PERMISSION		CURRENT REV DESC: INTILA RELEASE	
DIMENSION UNITS	SCALE	EC NO:	DRWN:	CHK'D:
▽ = 0	mm	10:1	637679	GSHARMA
▽ = 0	GENERAL TOLERANCES (UNLESS SPECIFIED)		2019/01/16	2020/05/22
▽ = 0	ANGULAR TOL ± 0.5°		APP'R:	ISHWARG
▽ = 0	4 PLACES	±	INITIAL REVISION:	
▽ = 0	3 PLACES	±	DRWN:	GSHARMA
▽ = 0	2 PLACES	± 0.25	2019/01/16	2020/05/22
▽ = 0	1 PLACE	± 0.3	APP'R:	ISHWARG
▽ = 0	0 PLACES	±	THIRD ANGLE PROJECTION	
■ = 0	DRAFT WHERE APPLICABLE MUST REMAIN WITHIN DIMENSIONS		DRAWING	SERIES
▽ = 0			D-SIZE	209209

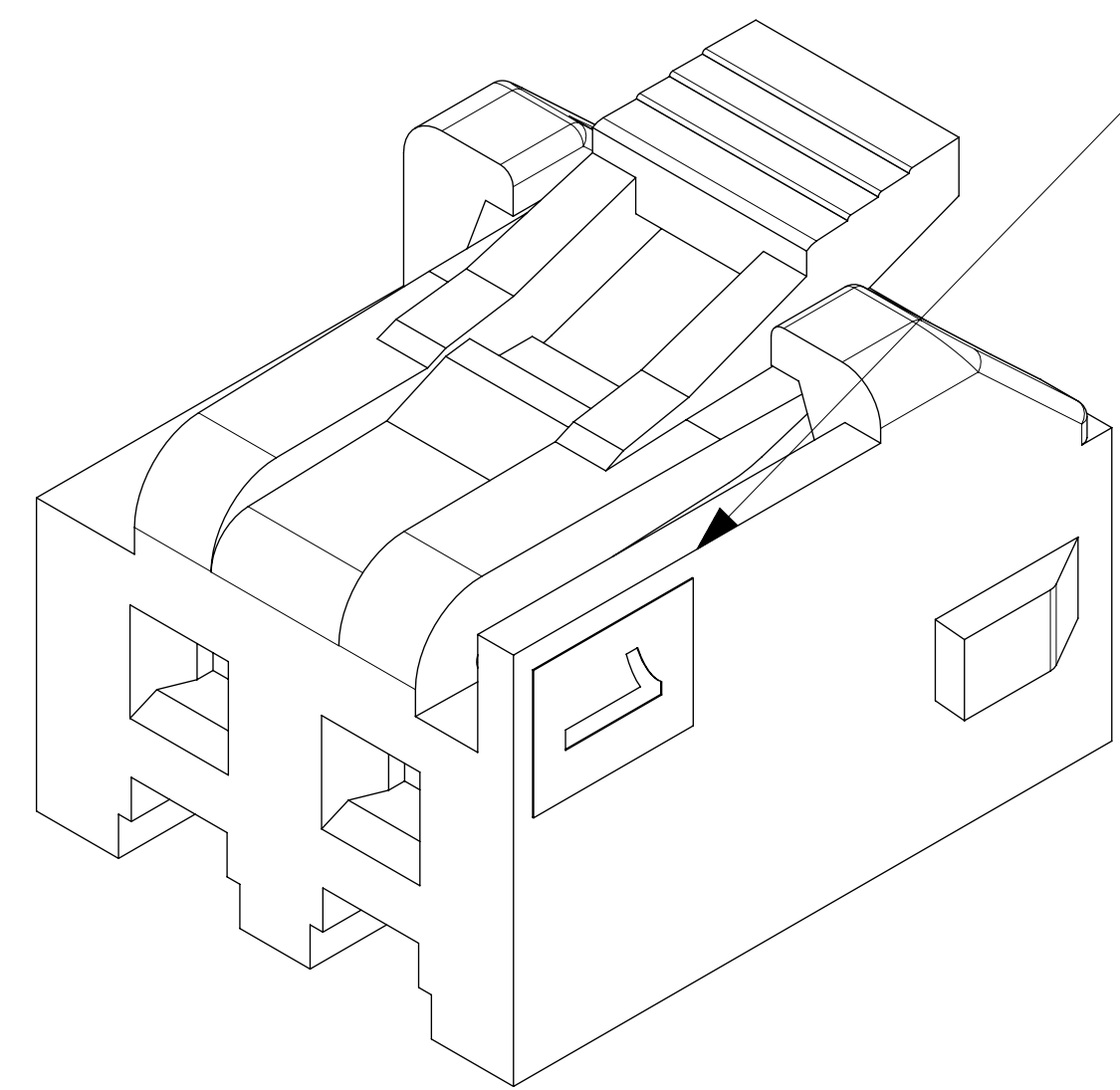
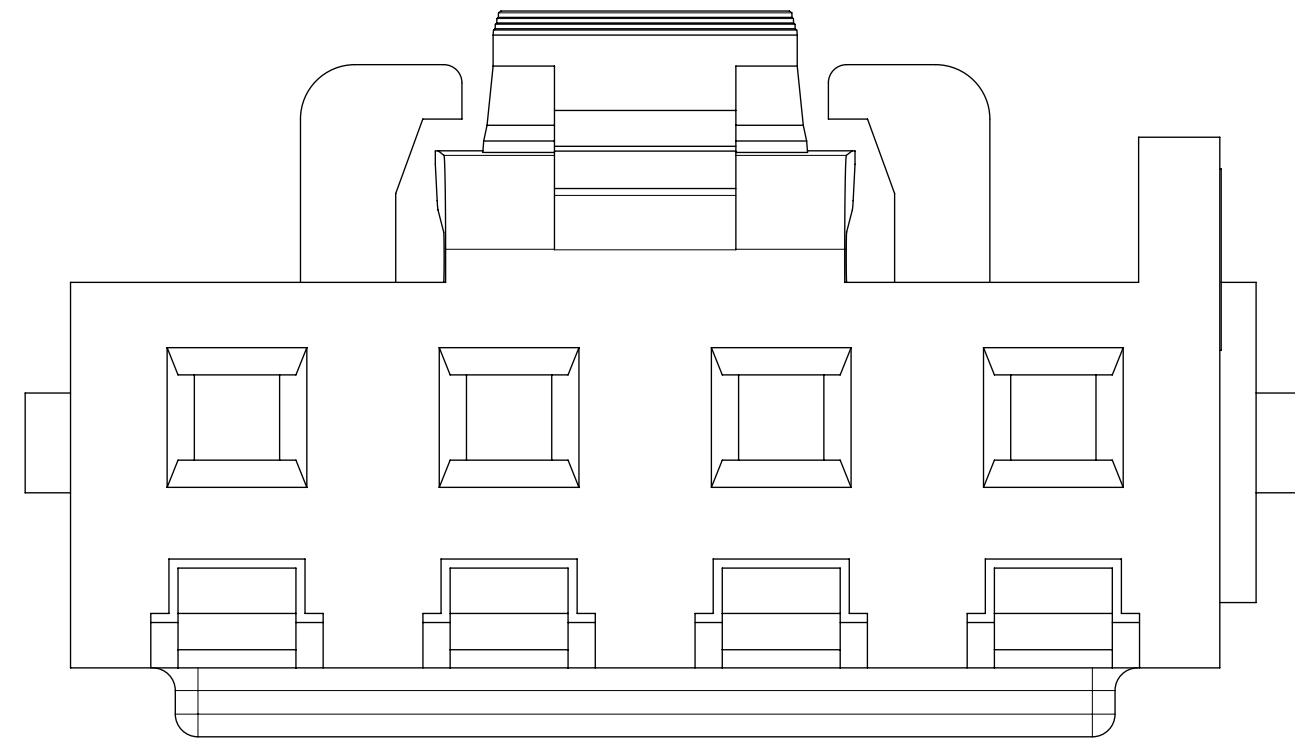
RECEPTACLE HOUSING FOR L1NK 300 WTB CONNECTOR SYSTEM			
PRODUCT CUSTOMER DRAWING			
DOCUMENT NUMBER	DOC TYPE	DOC PART	REVISION
2092090000-SD	PSD	000	A
MATERIAL NUMBER	CUSTOMER	SHEET NUMBER	
SEE TABLE	GENERAL MARKET	1 OF 2	

POLARIZATION

2CKT

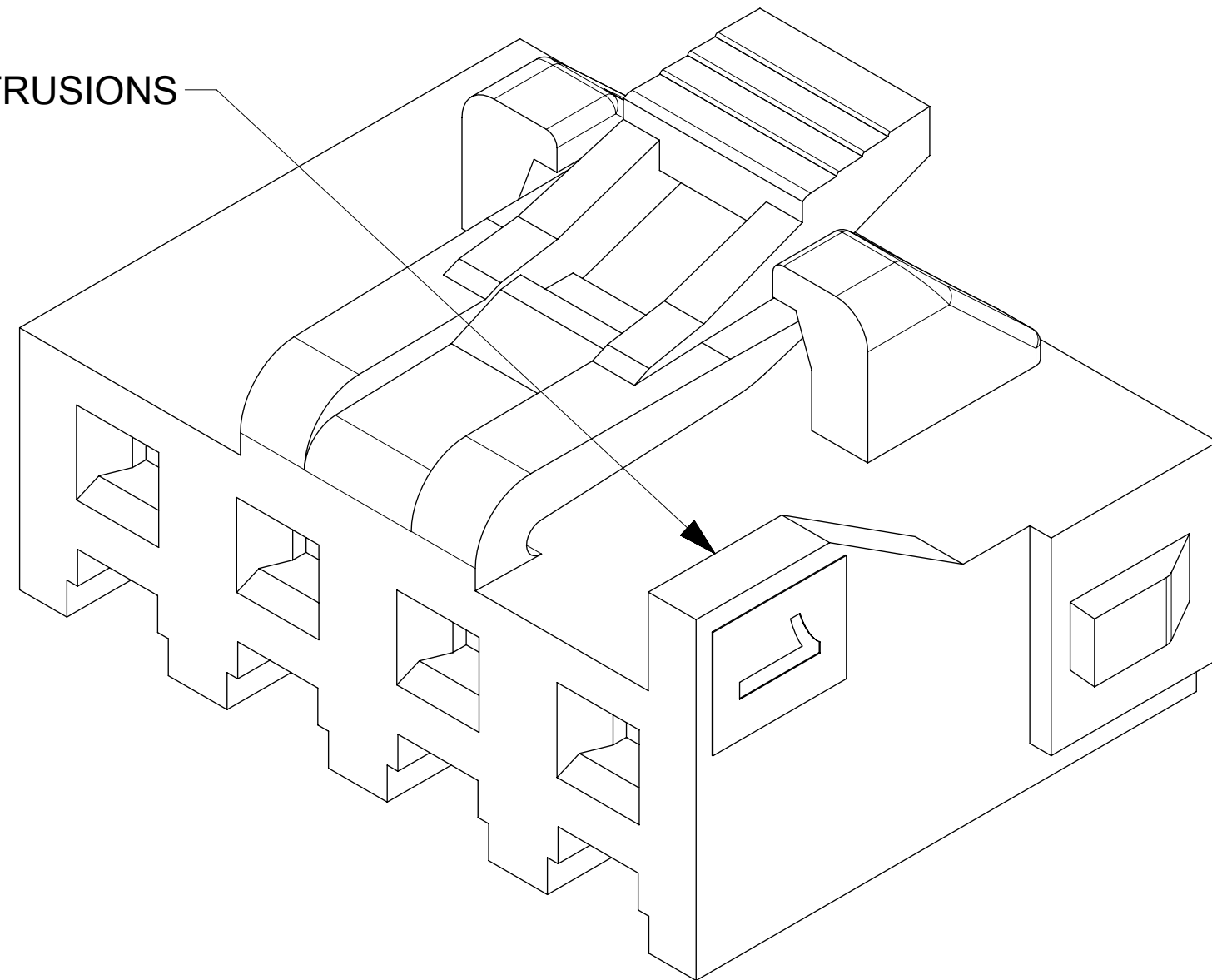


3 & 4 CKTS



ISOMETRIC OF 2CKT

KEYING PROTRUSIONS



ISOMETRIC VIEW FOR 3 & 4 CKT

SYMBOLS	THIS DRAWING CONTAINS INFORMATION THAT IS PROPRIETARY TO MOLEX ELECTRONIC TECHNOLOGIES, LLC AND SHOULD NOT BE USED WITHOUT WRITTEN PERMISSION			
	DIMENSION UNITS	SCALE	CURRENT REV DESC: INTILA RELEASE	
▽ = 0	mm	10:1	EC NO: 637679 DRWN: GSHARMA 2019/01/16 CHK'D: MBN02 2020/05/22 APPR: ISHWARG 2020/05/22	
▽ = 0	GENERAL TOLERANCES (UNLESS SPECIFIED)			
▽ = 0	ANGULAR TOL	± 0.5°	INITIAL REVISION: DRWN: GSHARMA 2019/01/16 APPR: ISHWARG 2020/05/22	
▽ = 0	4 PLACES	±		
▽ = 0	3 PLACES	±	DOCUMENT NUMBER 2092090000-SD	
▽ = 0	2 PLACES	± 0.25		
▽ = 0	1 PLACE	± 0.3	DOC TYPE PSD	
▽ = 0	0 PLACES	±		
▽ = 0	DRAFT WHERE APPLICABLE MUST REMAIN WITHIN DIMENSIONS	THIRD ANGLE PROJECTION	SERIES D-SIZE 209209	
▽ = 0				
DOCUMENT STATUS		P1	RELEASE DATE	2020/05/22 16:47:01
DOCUMENT NUMBER		DOC TYPE	DOC PART	REVISION
2092090000-SD		PSD	000	A
MATERIAL NUMBER		CUSTOMER	SHEET NUMBER	
SEE TABLE		GENERAL MARKET	2 OF 2	