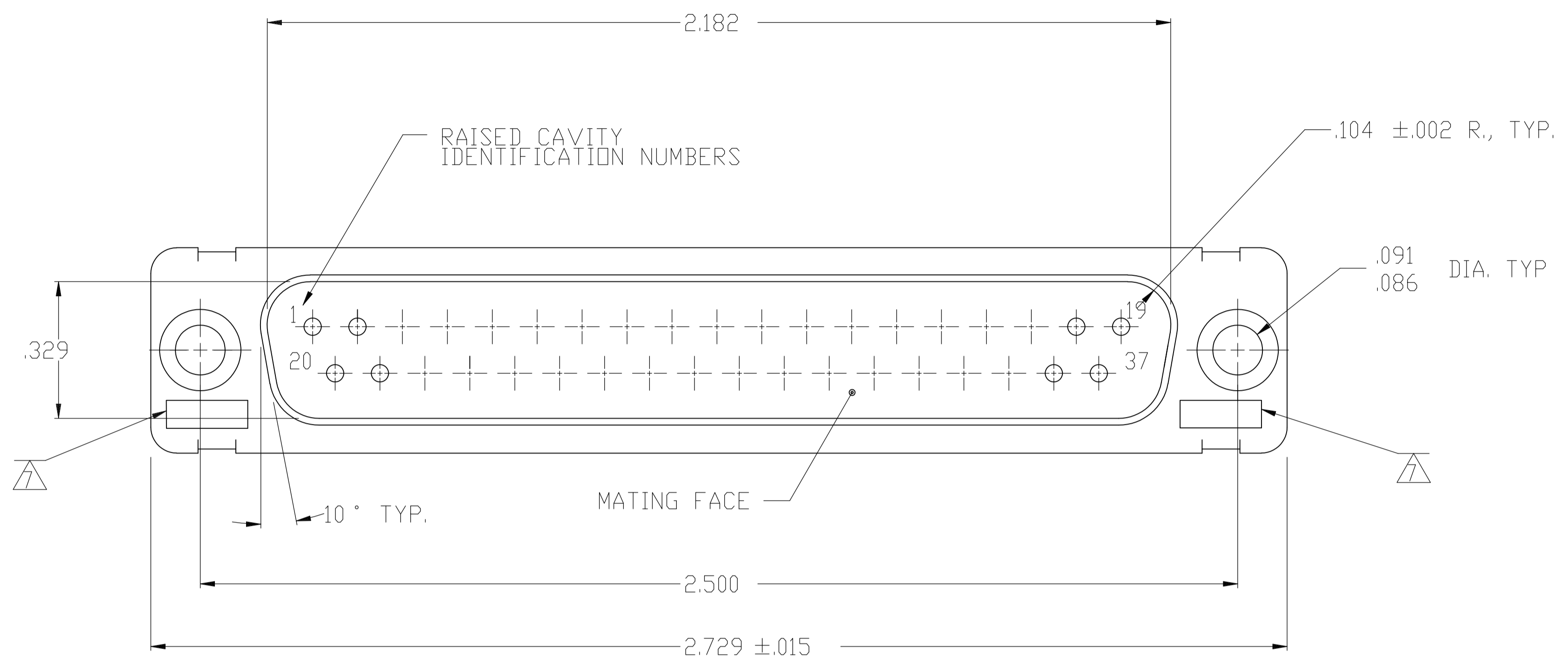
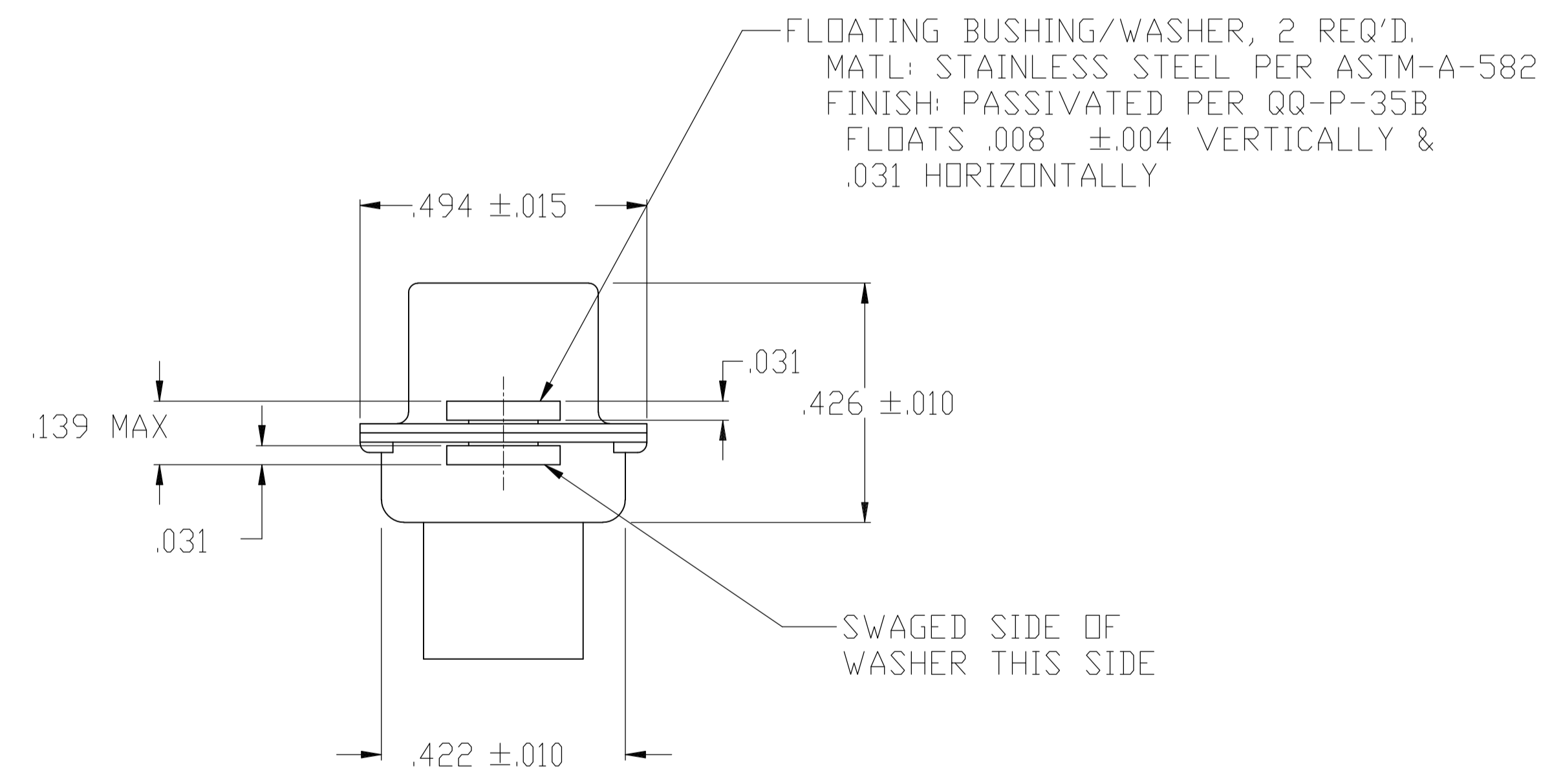
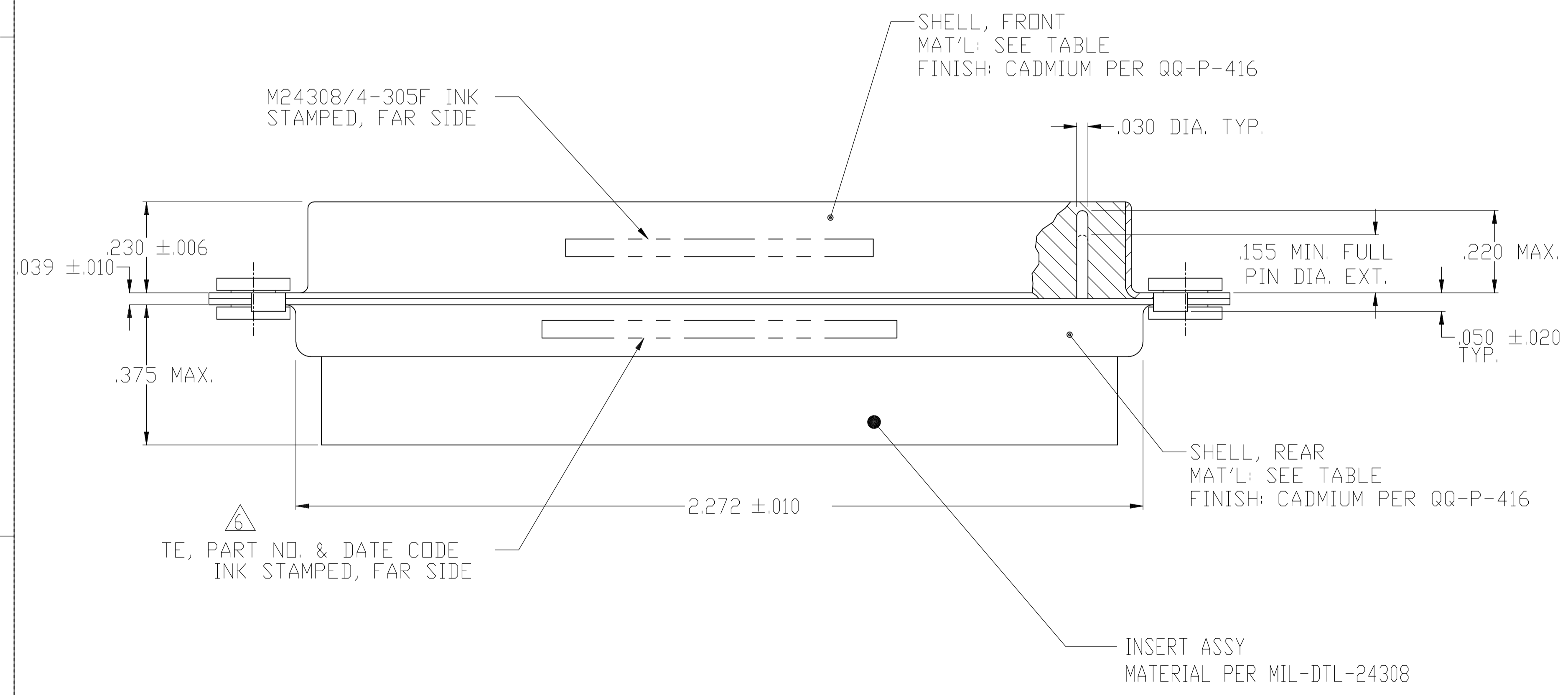


LOC		DIST		REVISIONS			
P	LTR	DESCRIPTION	DATE	DN	APVD		
N	REV PER	ECO-15-016062	10NOV15	KG	CD		



1. THIS PLUG IS DESIGNED TO CONFORM TO THE LATEST ISSUE OF MIL-C-24308
2. MAX WIRE INSUL. TO BE USED WITH THIS PLUG IS .068 DIA.
3. STAINLESS STEEL RETENTION CLIPS ARE INCLUDED IN INSERTS.
4. PACKAGE STAMPED M 24308/4-327F.
5. THIS PLUG WILL ACCEPT SIZE 20 PIN CONTACT M24308/11 OR AMP # 205089
6. TE PART NO. STAMPED ON CONNECTOR REPRESENTS KIT NUMBER WITH CONTACTS
7. UL/CSA DESIGNATION STAMPED IN THIS AREA.



OBSOLETE	BRASS	205414-2
	STEEL PER ASTM-A-109	205414-1
	SHELL MAT'L	TE PART NO

THIS DRAWING IS A CONTROLLED DOCUMENT.

DIMENSIONS: INCHES	TOLERANCES UNLESS OTHERWISE SPECIFIED:	DIN C.C.THOMAS 12-SEP-87	APVD D.J.M. 12-OCT-87	NAME AMPLITUDE	TE Connectivity
0 PLC ± -	1 PLC ± -	2 PLC ± -	3 PLC ± .005	4 PLC ± -	ANGLES ± 0°30'
MATERIAL	FINISH	SIZE A1	CAGE CODE 00779	DRAWING NO. C=205414	RESTRICTED TO
		CUSTOMER DRAWING	SCALE 1:1	SHEET 1 OF 1	REV N

STE TE Connectivity  
 PLUG FOR PIN CONTACTS HI-DENSITY HDM-20 CONNECTOR SIZE 4 (37 POSN) SERIES 109 WITH FLOAT BUSHINGS