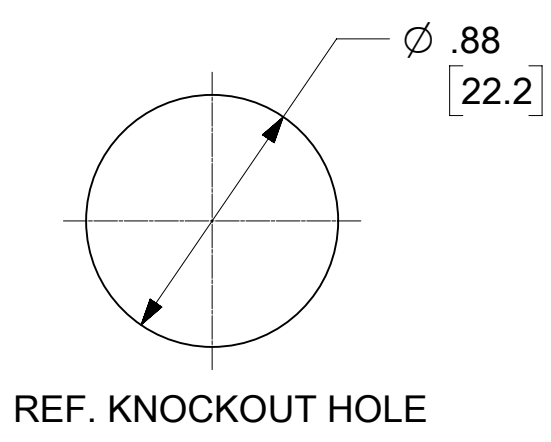
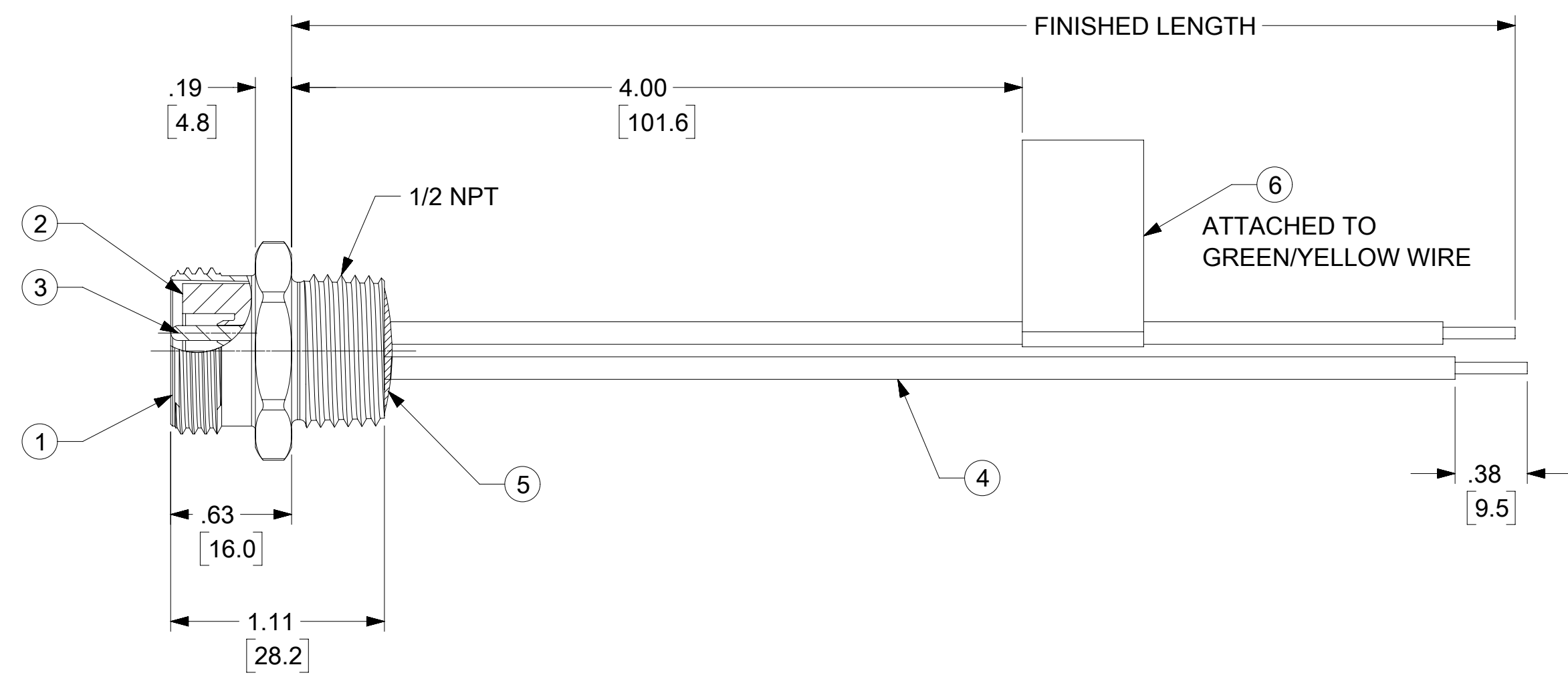
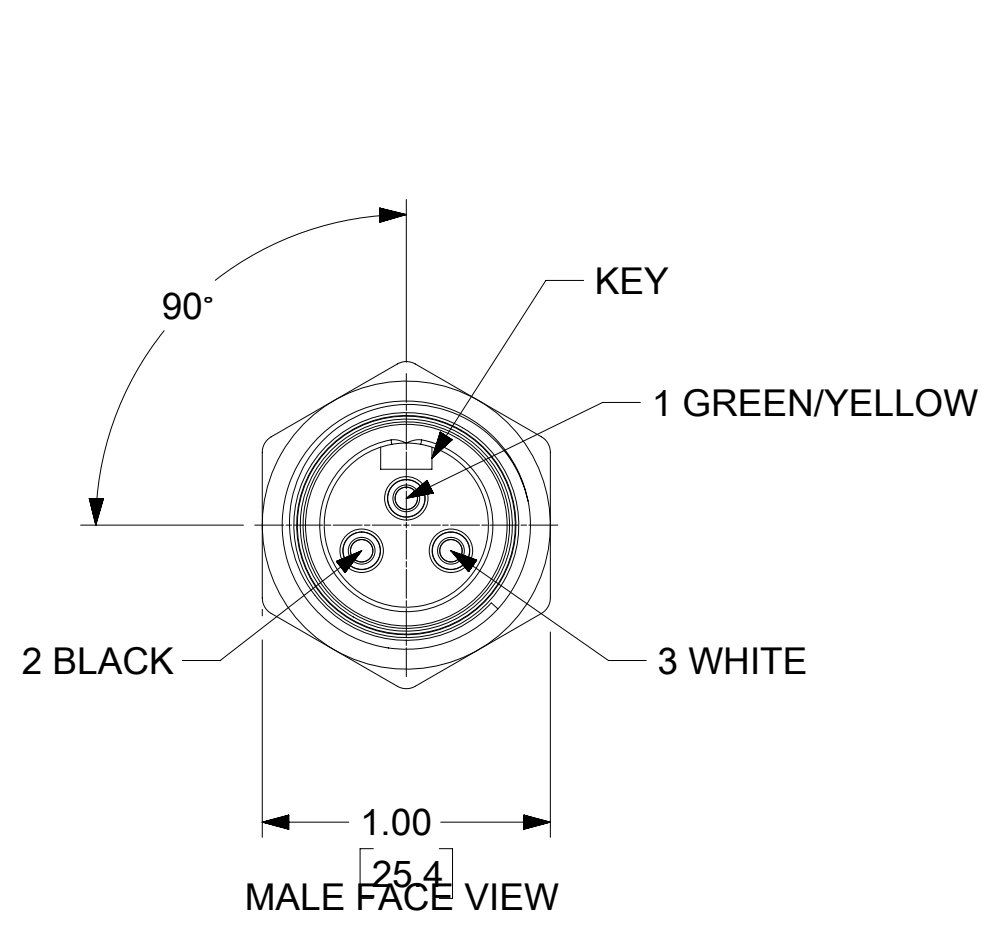
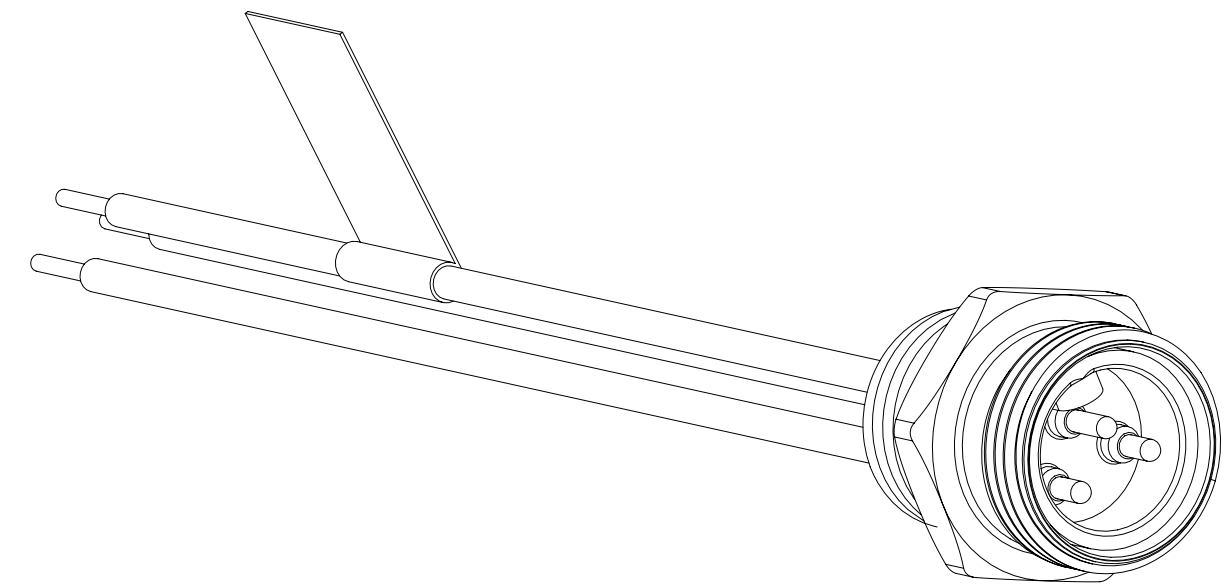


PART NO.	ENGINEERING NO.	FINISHED LENGTH
1300130202	1R3006A20A120	12 IN (0.30M)
1300130211	1R3006A20F030	3 FT (0.90M)
1300130225	1R3006A20M030	3M (9 FT, 10 IN)

**(B)** CABLE LENGTH TOLERANCES  
 <.3M [1FT]: +19mm-0 [ +.75in-0]  
 .3 - .9M [1 - 3FT]: +44.5mm-0 [+1.75in-0]  
 .9 - 1.8M [3 - 6FT]: +55.6mm-0 [+2.19in-0]  
 1.8 - 3.7M [6 - 12FT]: +88.9mm-0 [+3.50in-0]  
 3.7 - 7.3M [12 - 24FT]: +165.1mm-0 [+6.50in-0]  
 7.3-14.6M [24 - 48FT]: +317.5mm-0 [+12.50in-0]  
 14.6 - 30.5M [48-100FT]: +622.3mm-0 [+24.50in-0]  
 OVER 30M [100FT] +2% OF FINISHED LENGTH



- NOTES:**
1. MATERIAL: AS NOTED
  2. FINISH: AS NOTED
  3. ELECTRICAL:  
 VOLTAGE: 500V PER IEC60664  
 600V PER UL2238  
 CURRENT: 13A
  4. TEMP RATING: -20°C TO +105°C
  5. PROTECTION: IP67 (WHEN MATED)
  6. COUPLING THREAD: 7/8-16 UN
  7. UL RECOGNIZED FILE: E152210  
 CSA CERTIFIED: LR6837
  8. ALL DIMS ARE FOR REFERENCE UNLESS TOLERANCED OR NOTED OTHERWISE

**PART NUMBER LEGEND**  
**1R3006A20A120**

LENGTH  
 A060 = 6 IN  
 A120 = 12 IN  
 F060 = 6.0 FT  
 M003 = 0.3 METERS  
 M010 = 1.0 METERS  
 M100 = 10.0 METERS

ITEM	DESCRIPTION	MATERIAL	FINISH
6	FLAG LABEL	VINYL	BLACK/YELLOW
5	POTTING MATERIAL	EPOXY	
4	WIRE #16 (UL 1015)	PVC INSULATION	SEE FACE VIEW
3	CONTACT PIN	Cu ALLOY	GOLD PLATED
2	INSERT	TPE	YELLOW
1	RECEPTACLE SHELL	ZINC (DIE-CAST)	BLACK E-COAT

FUNCTIONAL SYMBOLS										THIS DRAWING CONTAINS INFORMATION THAT IS PROPRIETARY TO MOLEX ELECTRONIC TECHNOLOGIES, LLC AND SHOULD NOT BE USED WITHOUT WRITTEN PERMISSION									
DIMENSION UNITS					SCALE					CURRENT REV DESC: REV NOTE 7 FOR UL FILE NO. & CSA. UPDATE BORDER, CORRECT CABLE LENGTH TOL.									
INCH/MM					1:1														
GENERAL TOLERANCES (UNLESS SPECIFIED)										EC NO: 668276									
4 PLACES ±					MM					INCH					DRWN: RSTONE 2021/06/18				
3 PLACES ±															CHK'D: MZIELINSKI 2021/07/08				
2 PLACES ±															APPR: BWOODMAN 2021/07/12				
1 PLACE ±															INITIAL REVISION:				
0 PLACES ±															DRWN: RSTONE 2019/11/06				
ANGULAR TOL ± °															APPR: BWOODMAN 2019/12/13				
DRAFT WHERE APPLICABLE MUST REMAIN WITHIN DIMENSIONS										THIRD ANGLE PROJECTION									
DRAWING					SERIES					MATERIAL NUMBER					CUSTOMER				
C-SIZE					130013					SEE P/N LEGEND					GENERAL MARKET				
DOCUMENT NUMBER										DOC TYPE									
1300130004										PSD 000 B									
SHEET NUMBER										1 OF 1									