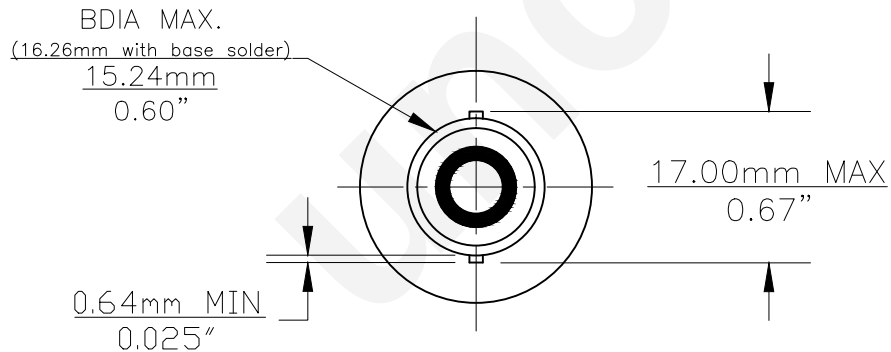
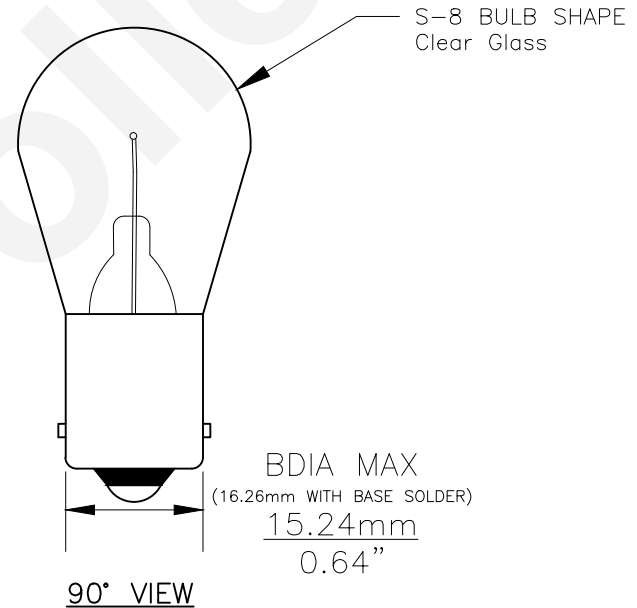
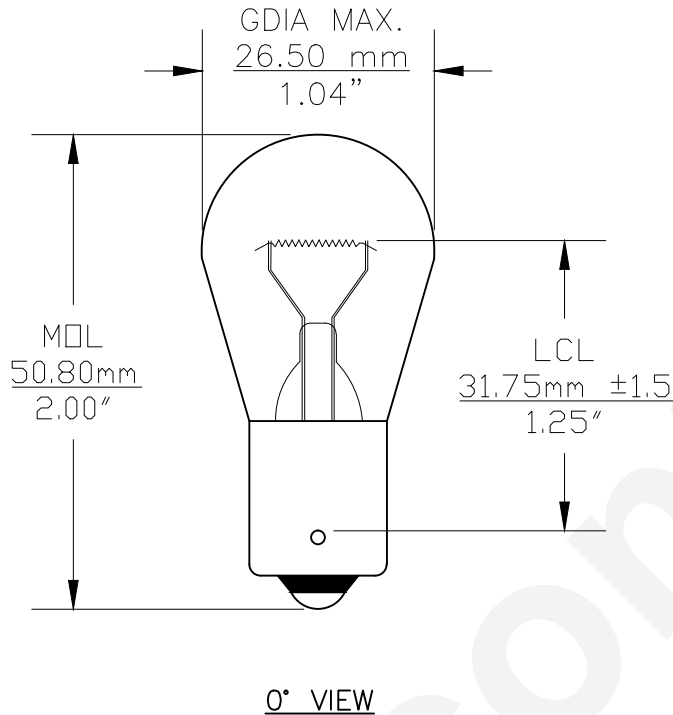




PART NO.	BASE TYPE	DESIGN VOLTS	DESIGN AMPS	MSCD	FILAMENT TYPE	AVERAGE LIFE HOURS	REVISIONS			
							REV #	DESCRIPTION	DATE	APPROVED
1141	S.C. Bayonet (BA15s)	12.8V	1.44±5%	21±10%	C-6	1000	1	UPDATE ADDRESS	12/05/2005	D.C.
							2	UPDATED RoHS COMPLIANCE	01/29/2009	S.L.



Note: Made according to SAE specifications



UNLESS OTHERWISE SPECIFIED: DIMENSIONS ARE IN INCHES TOLERANCES		CEC INDUSTRIES LTD			
DECIMALS	ANGULAR	599 BOND STREET		LINCOLNSHIRE, IL 60069	
.XX ± .05	± 0.5°	TITLE LIGHT BULB NO. 1141			
.XXX ± .010		SIZE A	FSCM NO.	DWG NO. 1141	REV 2
FRACTIONAL	±1/64	CHECKED	SCALE	PLOT SCALE	SHEET 1 OF 1
DRAWN ELIZABETH SONANES	DATE 04/09/2001	DESIGN	FILE 1141.pdf	DRAWING NOT TO SCALE	