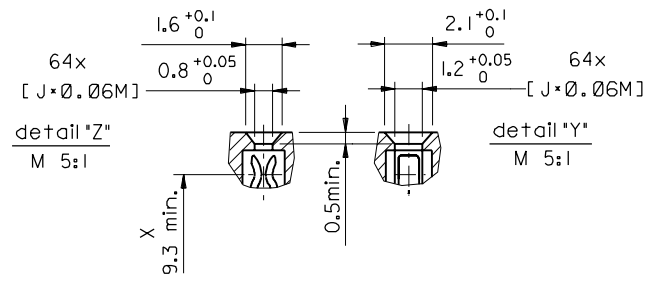
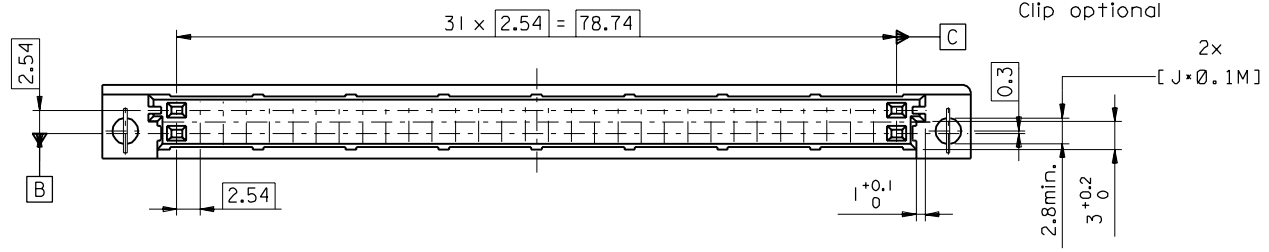
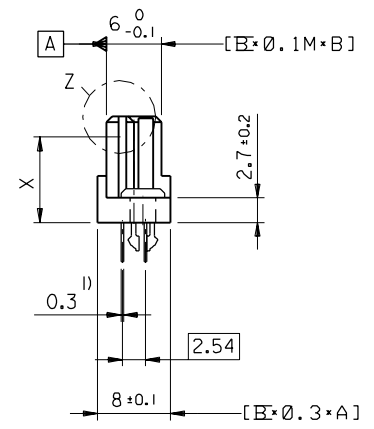
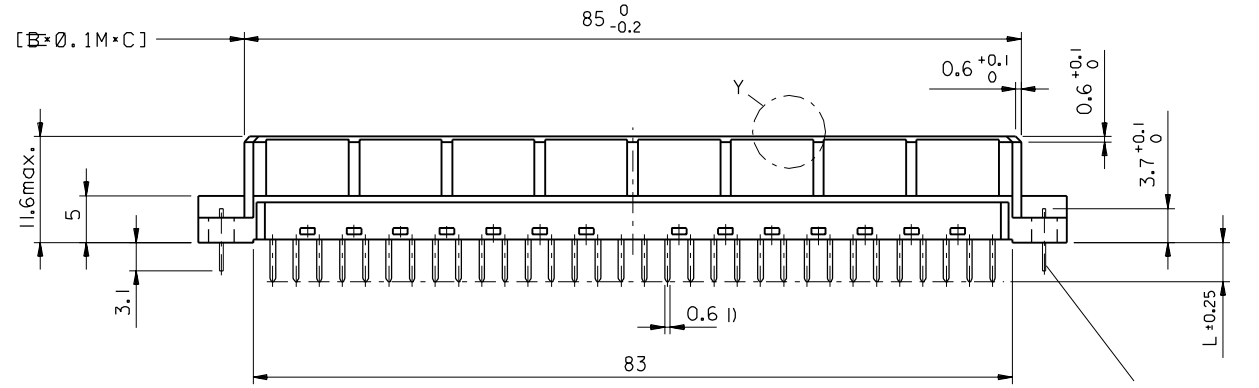


1) tails to fit in PC-board layout



ECN MG1998-2727 new fixing clip 98-04-14 Co	REVISIONS	3 PLACE ±	±
		2 PLACE ±	±
LTR	FOR PREVIOUS REVISIONS SEE MRI LIST	1 PLACE ±	±
		DRAFT WHERE APPLICABLE MUST REMAIN WITHIN DIMENSIONS	
C	LTR	DESIGN DIMENSION	<input checked="" type="checkbox"/> MM
		EQUIVALENT DIMENSION	<input type="checkbox"/> MM
		SCALE	2:1

FIRST ANGLE PROJECTION		REVISE ONLY ON CAD SYSTEM		SH.	REV.
UNLESS OTHERWISE SPECIFIED TOLERANCES: ANGULAR ±2°	DRWG BY	CAD/CAM PROJECT NAME		THIS DRAWING CONTAINS INFORMATION THAT IS PROPRIETARY TO MOLEX INC. & SHOULD NOT BE USED WITHOUT WRITTEN PERMISSION	
INCH	KN	85040000 611			
METRIC	CHK'D BY	TITLE			
	Ca	64 pos. Female connector DIN 41612 style B + clip Dimensions			
	APP'D BY	MOLEX EUROPE		SHEET NO.	DATE
	JB	MOLEX EUROPE		1 OF 1	95/11/14
	SCALE	PART NO.		SIZE	
		SDA-85040-0001		B	

