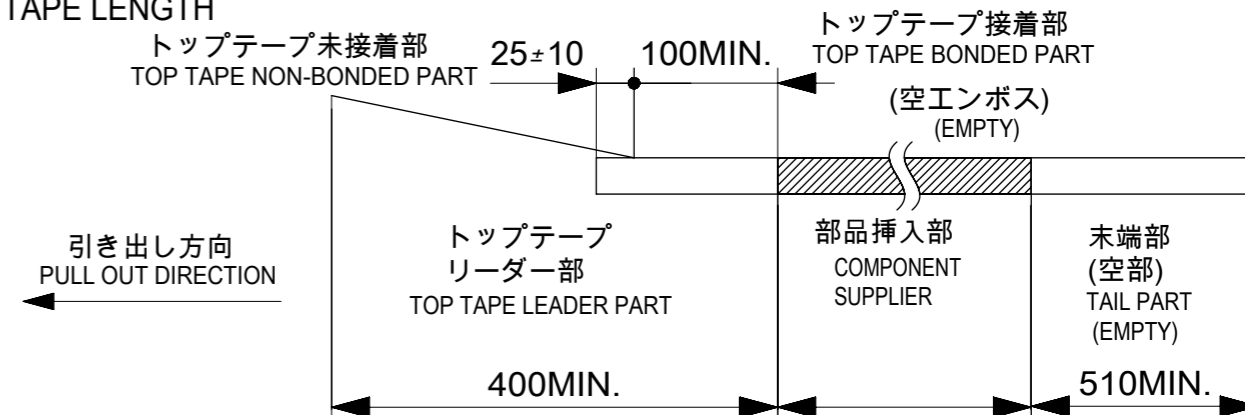


NOTES

- 梱包数量 : 2000個 / リール  
NUMBER OF CONNECTORS : 2000 PCS/REEL
- リードテープ長さ  
LEAD TAPE LENGTH

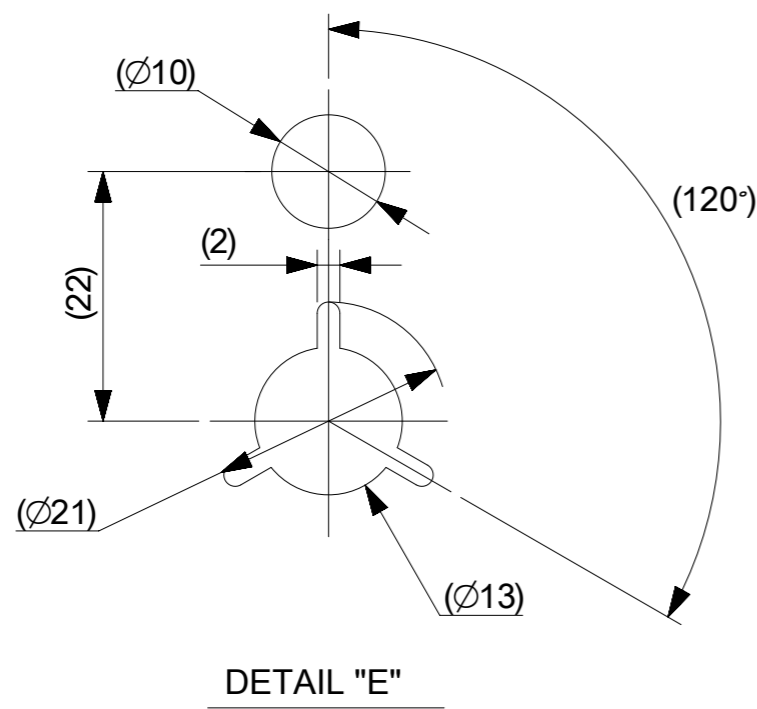
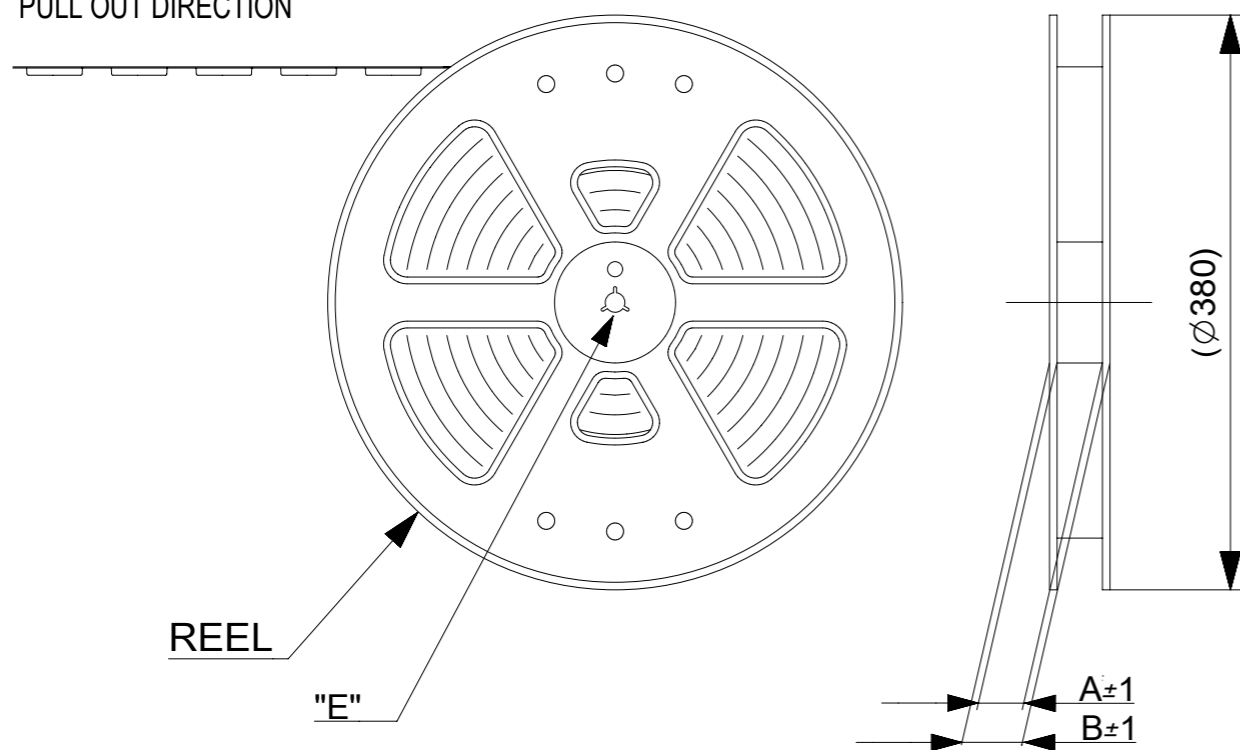


- トップテープの剥離強度については、IEC60286-3に準拠。  
TOP TAPE PEEL FORCE IS DEFINED BY IEC60286-3.
- 製品詳細寸法については、図面781191002をご参照ください。  
REFER TO THE 781191002 ABOUT DIMENSIONS IN DETAIL.
- 材料  
 キャリアテープ : ポリスチレン(PS)  
 トップテープ : PET,OTHER  
 リール : ポリスチレン(PS)(リサイクル材を含む)  
 MATERIAL  
 CARRIER TAPE : POLYSTYRENE(PS)  
 TOP TAPE : PET,OTHER  
 REEL : POLYSTYRENE(PS) (RECYCLE MATERIAL CONTAINED)
- 環境負荷物質の管理のため「化学物質ガイドライン」の内容を満足すること。  
"CHEMICAL SUBSTANCES GUIDELINE" SHALL BE APPLIED FOR MANAGEMENT OF ENVIRONMENTAL HAZARDOUS MATERIALS.

CONNECTOR SERIES NO. 78119\*\*25

THIS DRAWING CONTAINS INFORMATION THAT IS PROPRIETARY TO MOLEX ELECTRONIC TECHNOLOGIES, LLC AND SHOULD NOT BE USED WITHOUT WRITTEN PERMISSION										
EC NO: 107065 DRWN: NASANUMA CHK'D: YKOBAYASHI02 APPR: KMORIKAWA	2016/04/26		2016/08/01		2016/08/02		GENERAL TOLERANCES (UNLESS SPECIFIED)		DIMENSION UNITS: MM SCALE: ±	
	4 PLACES		± 0.1		NASANUMA		DATE: 2016/04/26		<b>molex</b>  0.5 FPC CONN. N-ZIF ST AU EMBS TP PKG	
	3 PLACES		± 0.1		CHK'D BY: YKOBAYASHI02		DATE: 2016/08/01			
	2 PLACES		± 0.1		APPR BY: KMORIKAWA		DATE: 2016/08/02			
	1 PLACE		± 0.1		DRAWING SIZE: A3		THIRD ANGLE PROJECTION		PRODUCT CUSTOMER DRAWING	
	0 PLACES		± 0.1		DRAFT WHERE APPLICABLE MUST REMAIN WITHIN DIMENSIONS				SERIES: 78119 MATERIAL NUMBER: 781190002 CUSTOMER:	
A		REV		A		DOCUMENT NUMBER: 781190002		DOC TYPE: PSD DOC PART: 000 SHEET NUMBER: 1 OF 3		

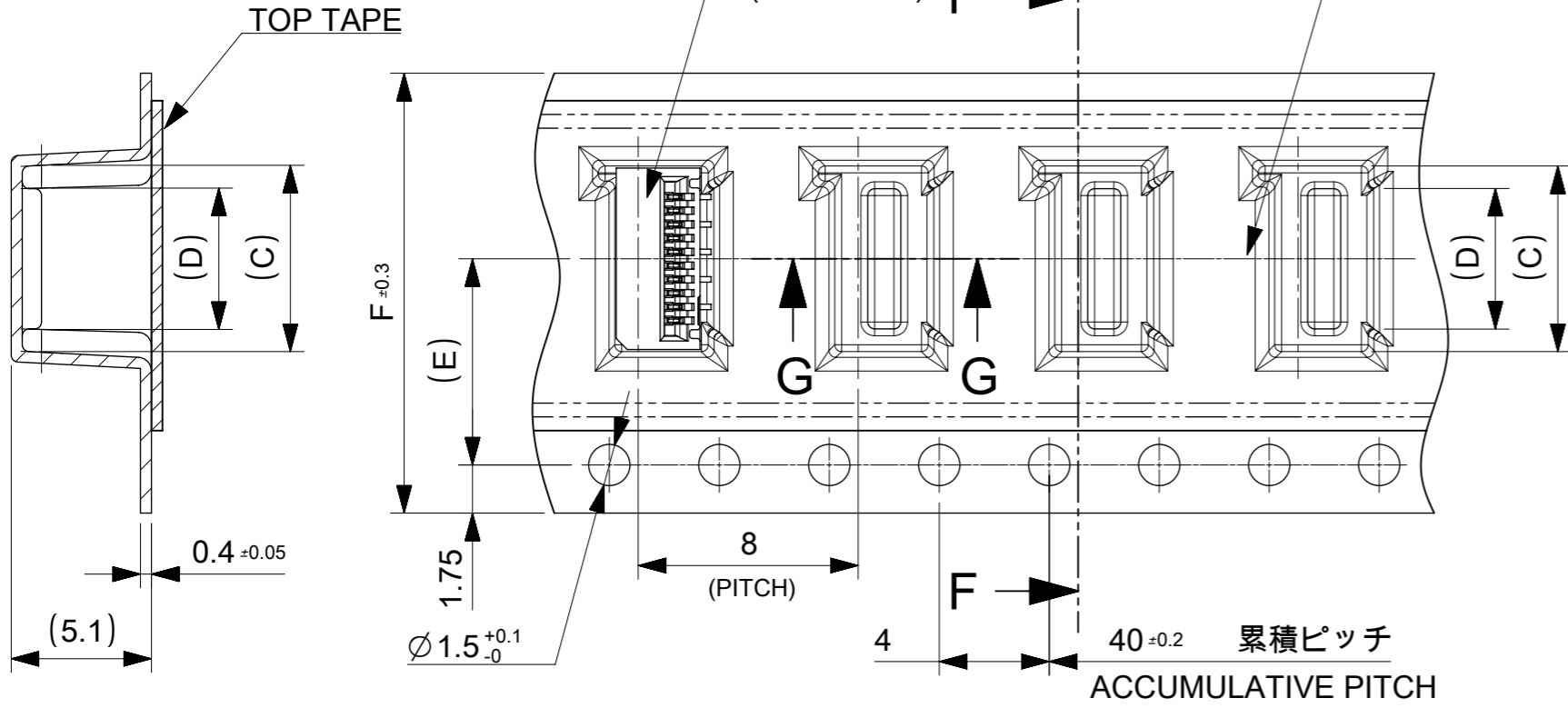
引き出し方向  
PULL OUT DIRECTION



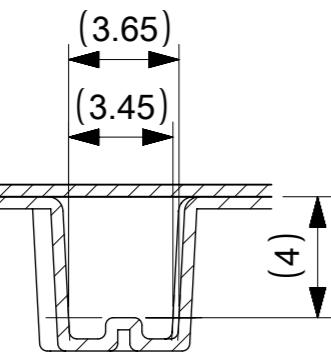
引き出し方向  
PULL OUT DIRECTION

CONNECTOR  
(78119-\*\*15) F

ポケット中心  
POCKET OF CENTER



SECTION F-F



SECTION G-G

F TAPE WIDTH	E	D	C	B	A	EMBOSSED PACKAGE オーダー番号 ORDER NO	CIRCUIT
24	11.5	29.4	25.4			781192820	28
						781192720	27
						781192620	26
						781192520	25
						781192420	24
						781192320	23
						781192220	22
						781192120	21
						781192020	20
						781191920	19
						781191820	18
						781191720	17
16	7.5	21.4	17.4			781191420	14
						781191320	13
						781191220	12
						781191120	11
						781191020	10
						781190920	9
						781190820	8
						781190720	7
						781190620	6

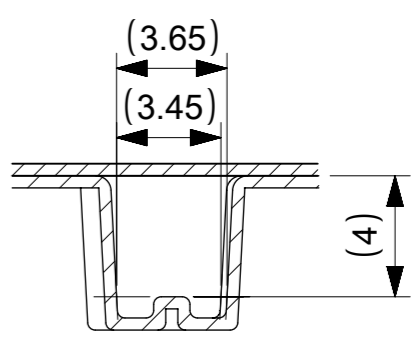
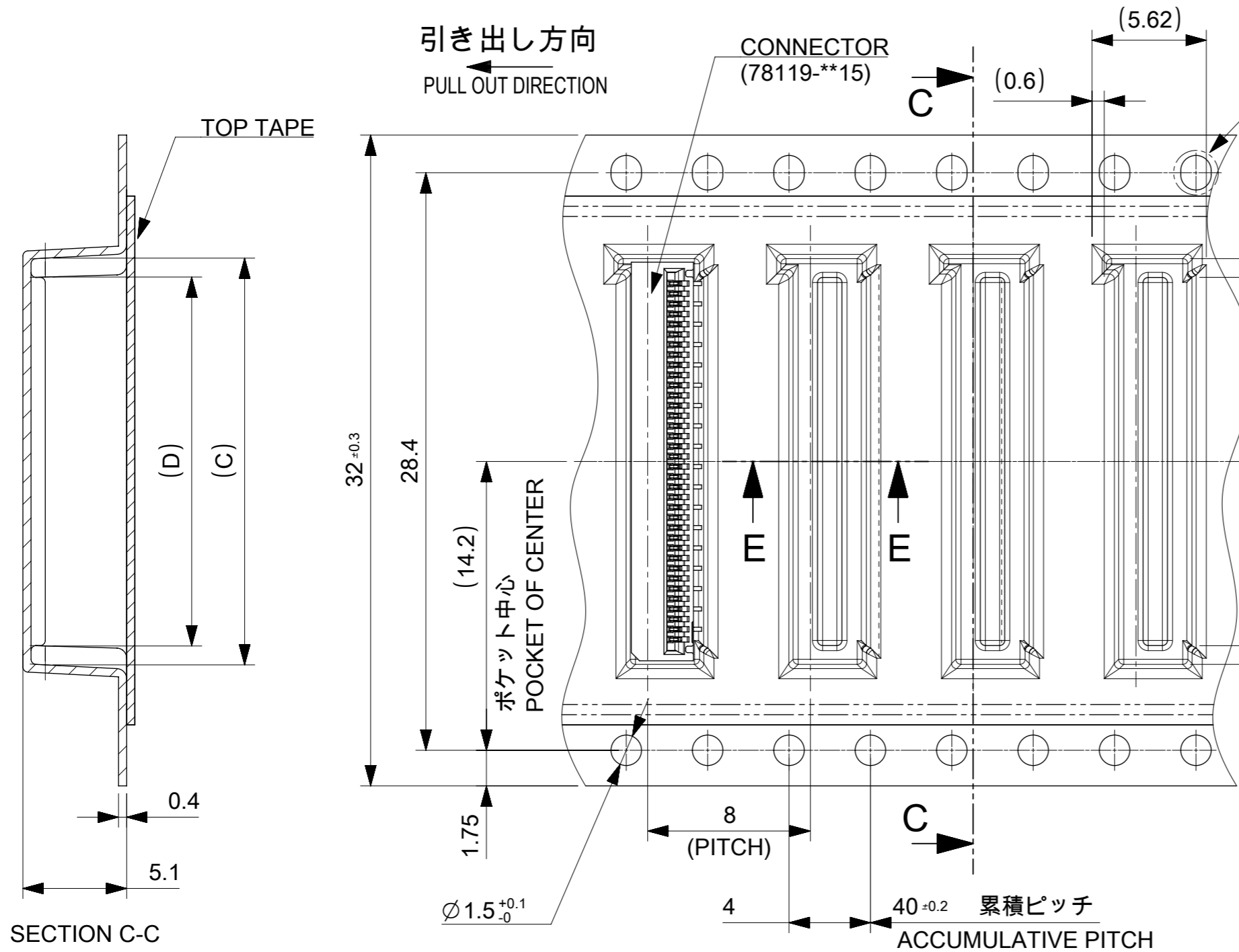
CONNECTOR SERIES NO. 78119\*\*25

# 16mm, 24mm幅キャリアテープ

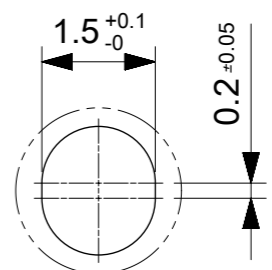
## 16mm, 24mm WIDTH CARRIER TAPE

THIS DRAWING CONTAINS INFORMATION THAT IS PROPRIETARY TO MOLEX ELECTRONIC TECHNOLOGIES, LLC AND SHOULD NOT BE USED WITHOUT WRITTEN PERMISSION

EC NO: 107065 DRWN: NASANUMA CHK'D: YKOBAYASHI02 APPR: KMORIKAWA	2016/04/26	GENERAL TOLERANCES (UNLESS SPECIFIED)		DIMENSION UNITS	SCALE	
	2016/08/01	ANGULAR TOL ± 1.0 °		MM	4:1	
	2016/08/02	4 PLACES ± 0.1	DRWN BY	DATE		
		3 PLACES ± 0.1	NASANUMA	2016/04/26		
		2 PLACES ± 0.1	CHK'D BY	DATE		0.5 FPC CONN. N-ZIF ST AU EMBS TP PKG
		1 PLACE ± 0.1	YKOBAYASHI02	2016/08/01		
		0 PLACES ± 0.1	APPR BY	DATE		PRODUCT CUSTOMER DRAWING
			KMORIKAWA	2016/08/02		
			DRAFT WHERE APPLICABLE MUST REMAIN WITHIN DIMENSIONS	DRAWING SIZE	THIRD ANGLE PROJECTION	SERIES
				A3		78119
						MATERIAL NUMBER
						CUSTOMER
						DOCUMENT NUMBER
						781190002
						DOC TYPE
						PSD
						DOC PART
						000
						SHEET NUMBER
						2 OF 3



SECTION E-E



DETAIL 1  
SCALE 10:1

32	19.8	18.1	37.4	33.4	781193620	36
	19.3	17.6			781193520	35
	18.8	17.1			781193420	34
	18.3	16.6			781193320	33
	17.8	16.1			781193220	32
	17.3	15.6			781193120	31
	16.8	15.1			781193020	30
	16.3	14.6			781192920	29
TAPE WIDTH	D	C	B	A	EMBOSSED PACKAGE オーダー番号 ORDER NO	CIRCUIT

CONNECTOR SERIES NO. 78119\*\*25

# 32mm幅キャリアテープ

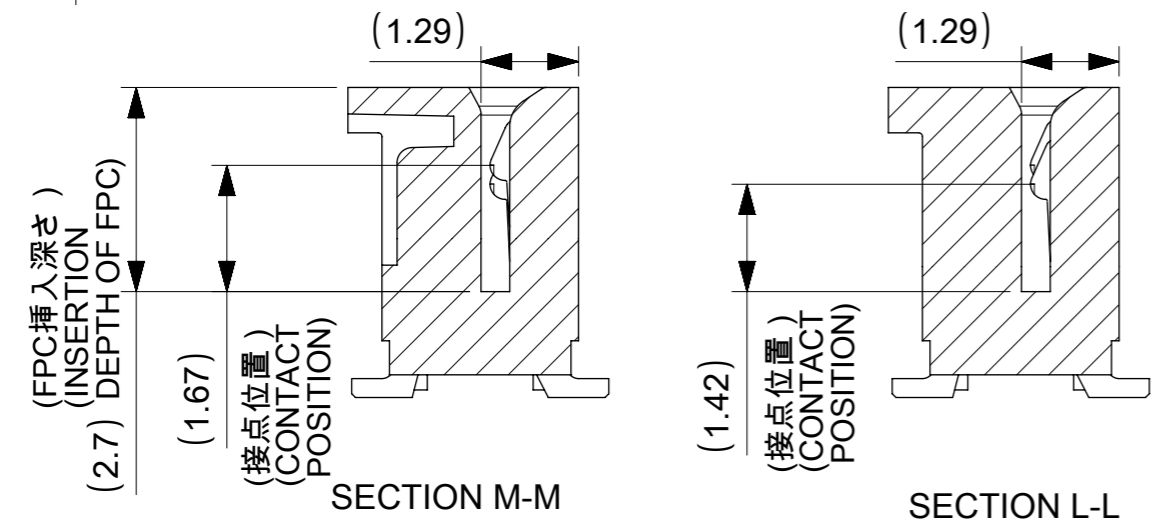
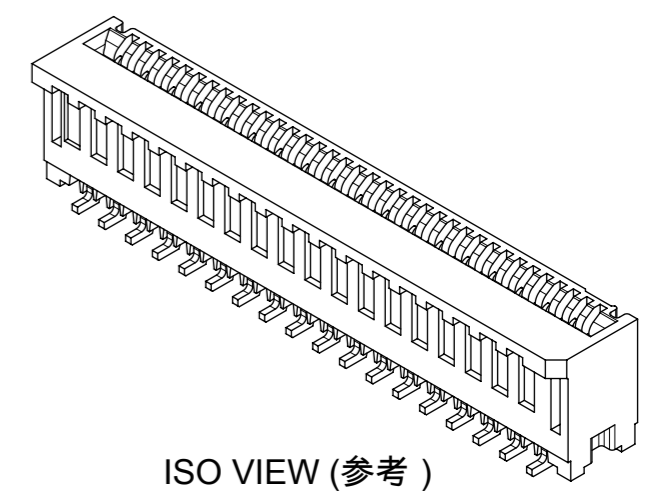
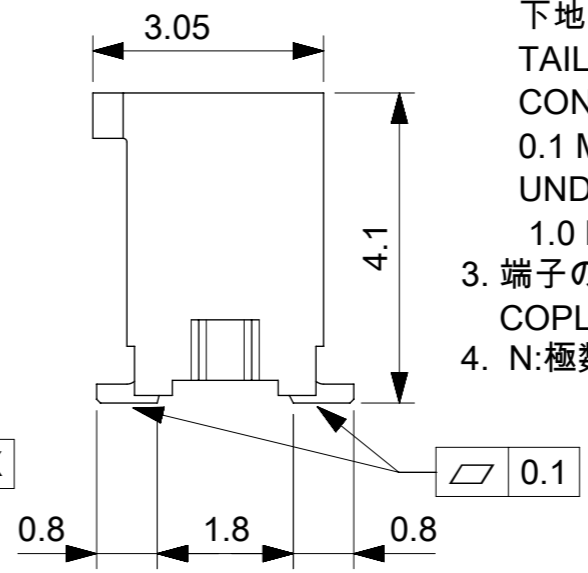
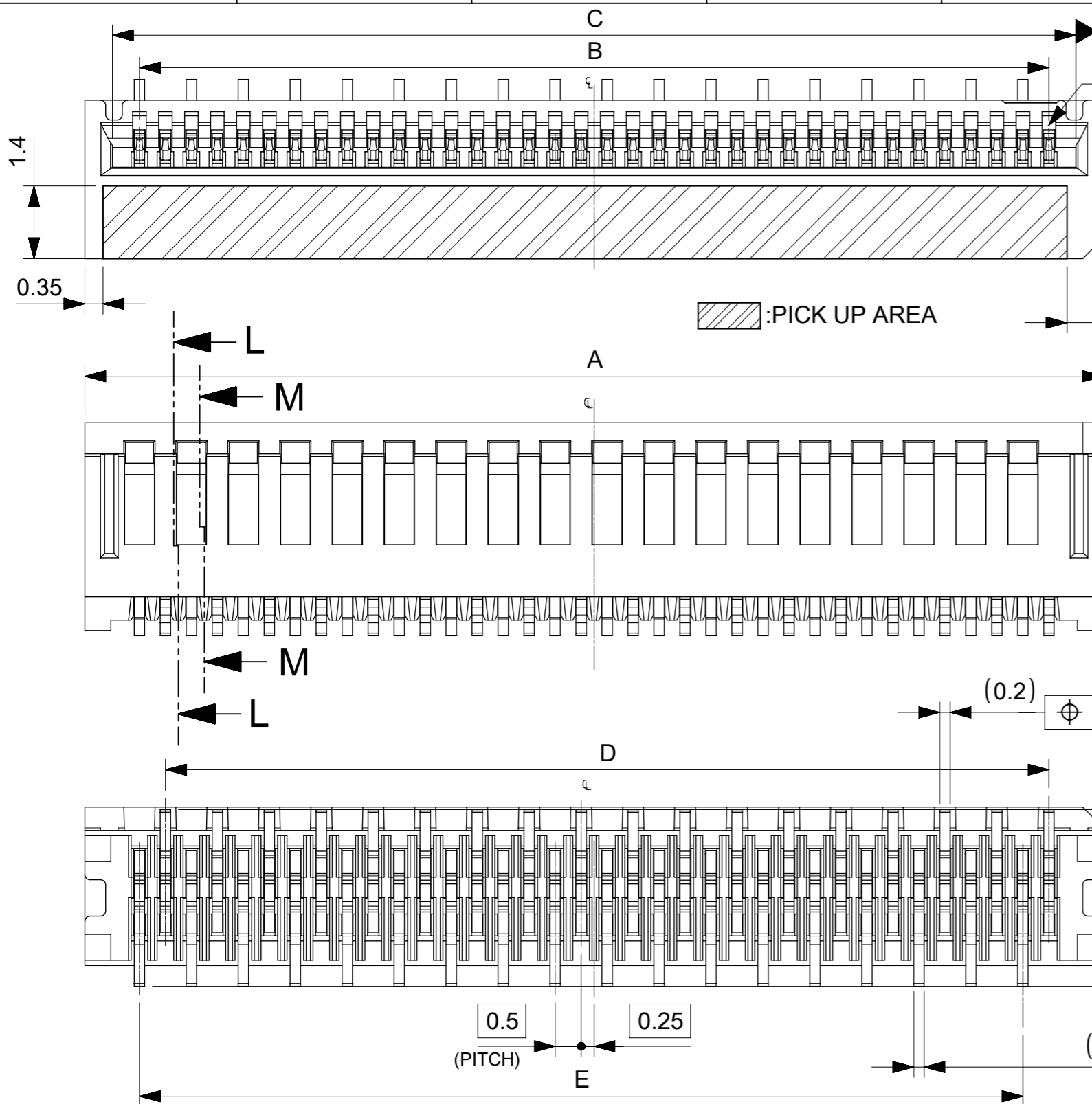
## 32mm WIDTH CARRIER TAPE

THIS DRAWING CONTAINS INFORMATION THAT IS PROPRIETARY TO MOLEX ELECTRONIC TECHNOLOGIES, LLC AND SHOULD NOT BE USED WITHOUT WRITTEN PERMISSION

EC NO: 107065 DRWN: NASANUMA CHK'D: YKOBAYASHI02 APPR: KMORIKAWA	2016/04/26	2016/08/01	2016/08/02	GENERAL TOLERANCES (UNLESS SPECIFIED) ANGULAR TOL ± 1.0 ° 4 PLACES ± 0.1 3 PLACES ± 0.1 2 PLACES ± 0.1 1 PLACE ± 0.1 0 PLACES ± 0.1 DRAFT WHERE APPLICABLE MUST REMAIN WITHIN DIMENSIONS	DIMENSION UNITS	SCALE	
	MM		4:1				
	DRWN BY	DATE			0.5 FPC CONN. N-ZIF ST AU EMBS TP PKG		
	NASANUMA	2016/04/26					
	CHK'D BY	DATE			PRODUCT CUSTOMER DRAWING		
YKOBAYASHI02	2016/08/01						
APPR BY	DATE		SERIES	MATERIAL NUMBER	CUSTOMER		
KMORIKAWA	2016/08/02		78119				
DRAWING SIZE	THIRD ANGLE PROJECTION		DOCUMENT NUMBER	DOC TYPE	DOC PART	SHEET NUMBER	
A3			781190002	PSD	000	3 OF 3	

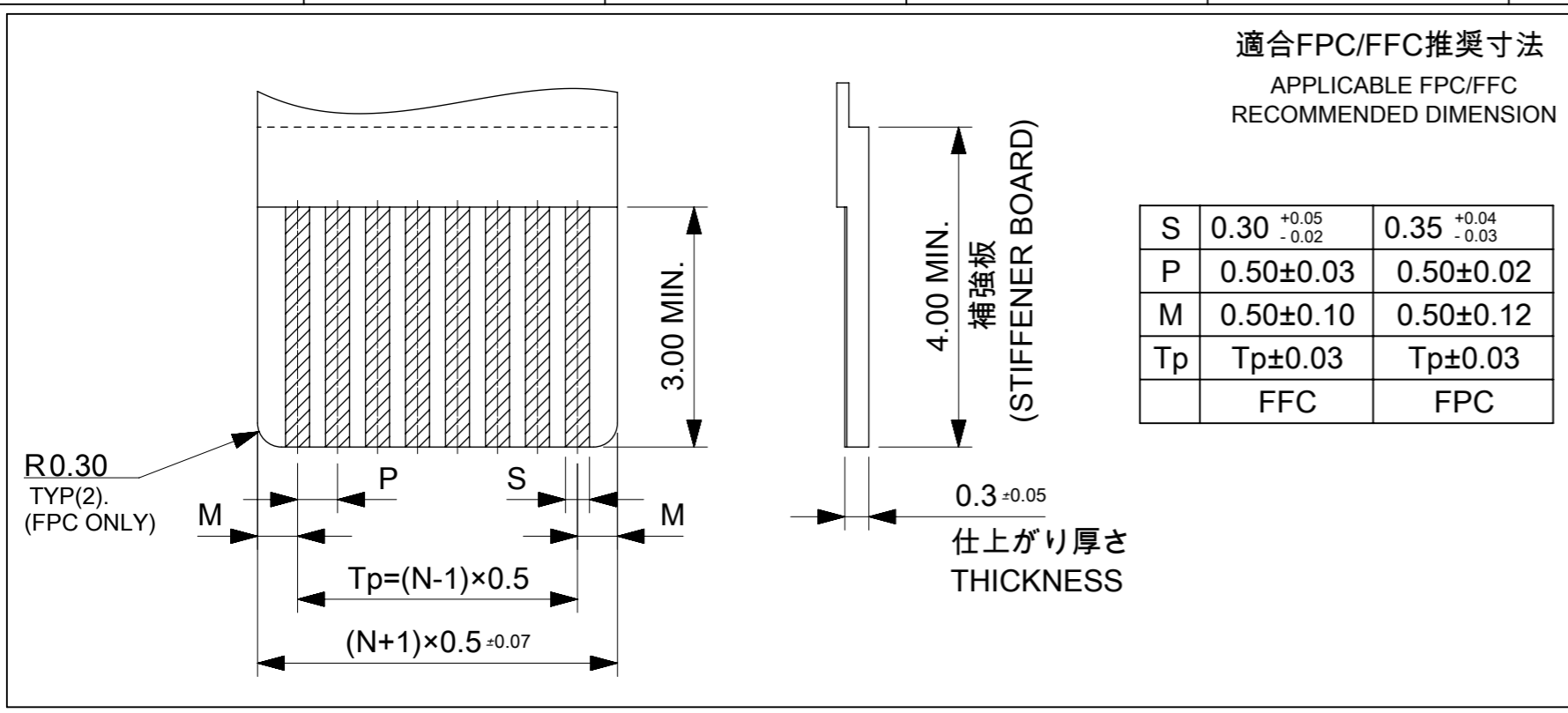
NOTES

1. 使用材料 MATERIALS  
 ハウジング : 液晶ポリマー (LCP)  
 ガラス充填、UL94 V-0、黒色  
 端子 : リン青銅 t=0.2mm  
 HOUSING : LIQUID CRYSTAL POLYMER(LCP)  
 GLASS FILLED, UL94 V-0, BLACK  
 TERMINAL: PHOSPHOR BRONZE t=0.2mm
2. メッキ仕様 PLATING  
 端子 TERMINAL  
 テール部 : 金メッキ  
 接点部 : 金メッキ 0.1μm以上  
 下地 : ニッケルメッキ 1.0μm以上  
 TAIL AREA : GOLD PLATING  
 CONTACT AREA : GOLD PLATING  
 0.1 MICROMETER MINIMUM  
 UNDER PLATING: Nickel PLATING  
 1.0 MICROMETER MINIMUM
3. 端子の平坦度はテール部にて0.1mm以下とする。  
 COPLANALITY OF SOLDER TAILS: 0.1mm MAX.
4. N: 極数 N: CIRCUIT



CONNECTOR SERIES NO. 78119\*\*25

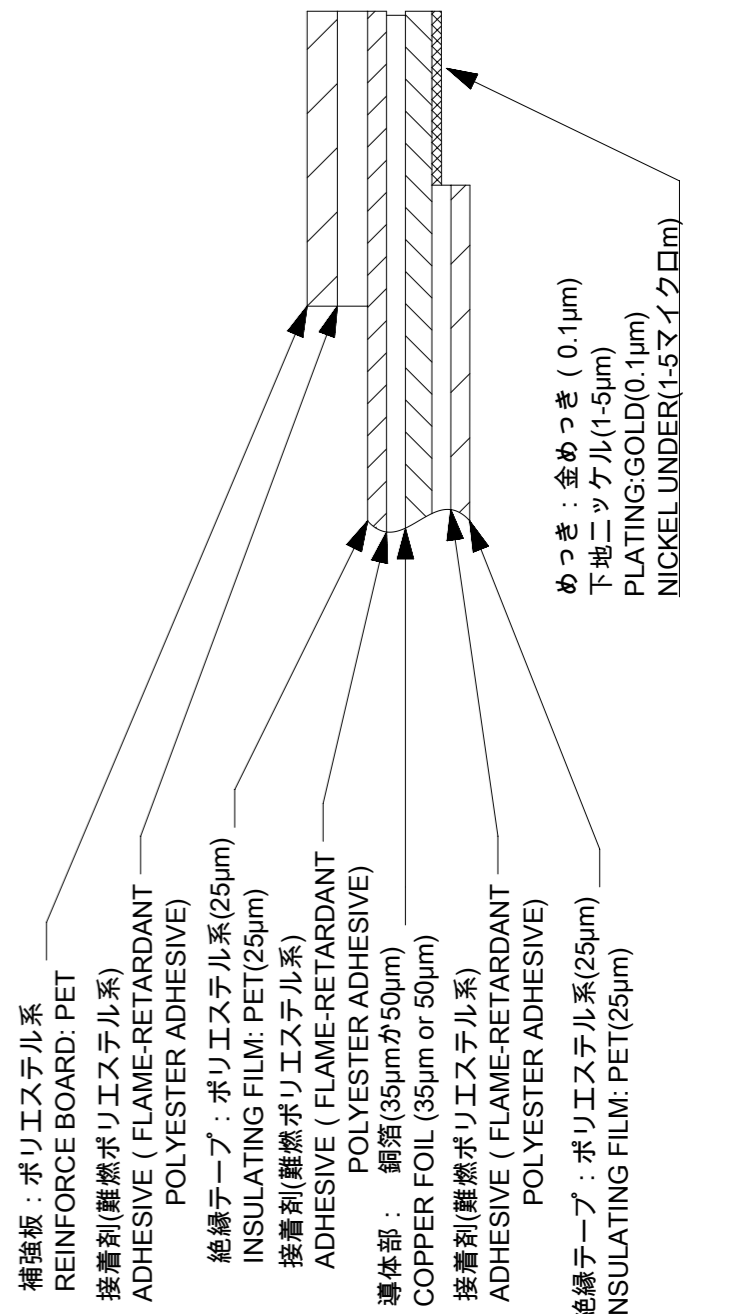
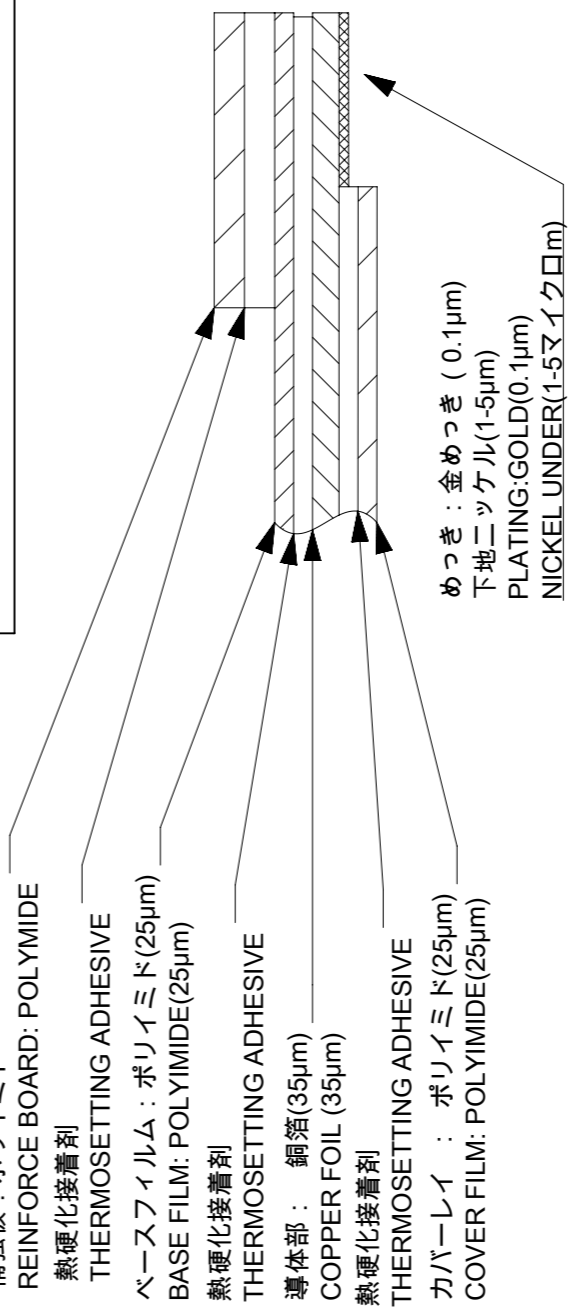
THIS DRAWING CONTAINS INFORMATION THAT IS PROPRIETARY TO MOLEX ELECTRONIC TECHNOLOGIES, LLC AND SHOULD NOT BE USED WITHOUT WRITTEN PERMISSION									
EC NO: 107065 DRWN: NASANUMA CHK'D: YKOBAYASHI02 APPR: KMORIKAWA	2016/02/17	GENERAL TOLERANCES (UNLESS SPECIFIED)		DIMENSION UNITS	SCALE	 0.5 PITCH NON-ZIF CONN. SMT AU ST ASSY PRODUCT CUSTOMER DRAWING SERIES: 78119 MATERIAL NUMBER: CUSTOMER: 781191002 DOC TYPE: PSD DOC PART: 000 SHEET NUMBER: 1 OF 3			
	2016/08/01	ANGULAR TOL ± 1.0 °		MM	10:1				
	2016/08/02	4 PLACES	± 0.1	DRWN BY	DATE				
		3 PLACES	± 0.1	NASANUMA	2016/02/17				
		2 PLACES	± 0.1	CHK'D BY	DATE				
	1 PLACE	± 0.1	YKOBAYASHI02	2016/08/01					
	0 PLACES	± 0.1	APPR BY	DATE					
			KMORIKAWA	2016/08/02					
	DRAFT WHERE APPLICABLE MUST REMAIN WITHIN DIMENSIONS		DRAWING SIZE	THIRD ANGLE PROJECTION					
A	REV		A3						



適合FPC/FFC推奨寸法  
APPLICABLE FPC/FFC  
RECOMMENDED DIMENSION

S	0.30 <sup>+0.05</sup> / <sub>-0.02</sub>	0.35 <sup>+0.04</sup> / <sub>-0.03</sub>
P	0.50±0.03	0.50±0.02
M	0.50±0.10	0.50±0.12
TP	TP±0.03	TP±0.03
	FFC	FPC

ELV & RoHS COMPLIANT



FPC/FFCについて  
打抜き方向は導体側から補強版側を推奨します。  
導体部については軟箔銅35µmまたは、50µmを推奨いたします。  
接着剤の接点部への付着は導通不良の原因になりますので、染み出し無きことを推奨いたします。  
FPC/FFCに規定された定格温度が、FPC/FFC単体前提である場合が御座います。  
コネクタと組み合わせての実使用において、接着層が劣化する等の信頼性を満足できないケースを回避する為、  
実機での評価 / 確認をお願い致します。

ABOUT FPC/FFC  
RECOMMENDED PUNCHING DIRECTION: FROM CONDUCTOR SIDE TO STIFFENER SIDE.  
RECOMMENDED CONDUCTOR SPEC: SOFT COPPER FOIL.  
RECOMMENDED CONDUCTOR THICKNESS: 35 MICROMETER OR 50 MICROMETER.  
RECOMMENDED PUT APPROPRIATE AMOUNT OF ADHESIVE ON ADHEREND BECAUSE THERE IS A POSSIBILITY THAT EXTRA ADHESIVE CAUSES THE DEFECT IN ELECTRICAL CONTINUITY.  
THE HEAT RESISTANCE OF FPC/FFC IS ONLY FPC/FFC SPEC.  
TO PREVENT THE CASE THAT RELIABILITY CANNOT BE SATISFIED (THE ADHESIVE IS DETERIORATED etc.) PLEASE DO THE EVALUATION AND THE CONFIRMATION WITH ACTUAL CONNECTOR.

FPCについて  
補強フィルム材は、ポリイミドを推奨します。ベースフィルムは25µmを推奨します。  
接着剤は熱硬化接着剤を推奨します。

ABOUT FPC  
RECOMMENDED STIFFENER MATERIAL: POLYIMIDE.  
RECOMMENDED BASE FILM THICKNESS: 25 MICROMETER.  
RECOMMENDED ADHESIVE: THERMOSETTING ADHESIVE.

FPC構成推奨仕様  
STRUCTURE OF FPC

FFC構成推奨仕様  
STRUCTURE OF FFC

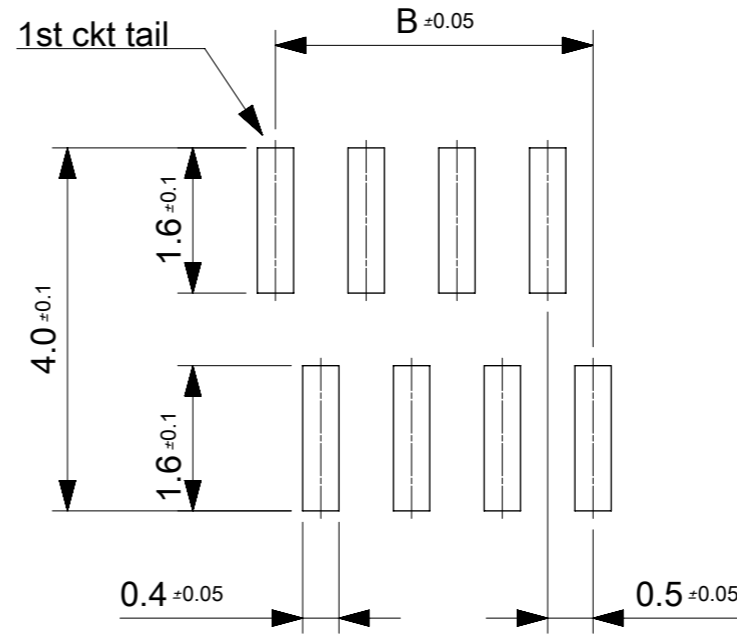
THIS DRAWING CONTAINS INFORMATION THAT IS PROPRIETARY TO MOLEX ELECTRONIC TECHNOLOGIES, LLC AND SHOULD NOT BE USED WITHOUT WRITTEN PERMISSION

EC NO: 107065 DRWN: NASANUMA CHK'D: YKOBAYASHI02 APPR: KMORIKAWA	2016/02/17	2016/08/01	2016/08/02	GENERAL TOLERANCES (UNLESS SPECIFIED)	DIMENSION UNITS	SCALE				
					MM	12:1				
	4 PLACES	± 0.1			DRWN BY	DATE		NASANUMA	2016/02/17	
	3 PLACES	± 0.1			CHK'D BY	DATE		YKOBAYASHI02	2016/08/01	
				2 PLACES	± 0.1		APPR BY	DATE	KMORIKAWA	2016/08/02
				1 PLACE	± 0.1		DRAWING SIZE	THIRD ANGLE PROJECTION	A3	
				0 PLACES	± 0.1		DRAFT WHERE APPLICABLE MUST REMAIN WITHIN DIMENSIONS			

PRODUCT CUSTOMER DRAWING			
SERIES	MATERIAL NUMBER	CUSTOMER	
78119			
DOCUMENT NUMBER	DOC TYPE	DOC PART	SHEET NUMBER
781191002	PSD	000	2 OF 3

17	17	18.6	17.5	19.6	781193620	36
16	17	18.1	17	19.1	781193520	35
16	16	17.6	16.5	18.6	781193420	34
15	16	17.1	16	18.1	781193320	33
15	15	16.6	15.5	17.6	781193220	32
14	15	16.1	15	17.1	781193120	31
14	14	15.6	14.5	16.6	781193020	30
13	14	15.1	14	16.1	781192920	29
13	13	14.6	13.5	15.6	781192820	28
12	13	14.1	13	15.1	781192720	27
12	12	13.6	12.5	14.6	781192620	26
11	12	13.1	12	14.1	781192520	25
11	11	12.6	11.5	13.6	781192420	24
10	11	12.1	11	13.1	781192320	23
10	10	11.6	10.5	12.6	781192220	22
9	10	11.1	10	12.1	781192120	21
9	9	10.6	9.5	11.6	781192020	20
8	9	10.1	9	11.1	781191920	19
8	8	9.6	8.5	10.6	781191820	18
7	8	9.1	8	10.1	781191720	17
7	7	8.6	7.5	9.6	781191620	16
6	7	8.1	7	9.1	781191520	15
6	6	7.6	6.5	8.6	781191420	14
5	6	7.1	6	8.1	781191320	13
5	5	6.6	5.5	7.6	781191220	12
4	5	6.1	5	7.1	781191120	11
4	4	5.6	4.5	6.6	781191020	10
3	4	5.1	4	6.1	781190920	9
3	3	4.6	3.5	5.6	781190820	8
2	3	4.1	3	5.1	781190720	7
2	2	3.6	2.5	4.6	781190620	6

E	D	C	B	A	EMBOSSED PACKAGE	CIRCUIT
オーダー番号 ORDER NO.						



参考マスク厚:100μm  
 参考開口率:100%  
 REFERENCE SCREEN THICKNESS:100  
 REFERENCE SCREEN OPEN RATIO:100%

推奨基板レイアウト  
 RECOMMENDED PCB LAYOUT

CONNECTOR SERIES NO. 78119\*\*25

THIS DRAWING CONTAINS INFORMATION THAT IS PROPRIETARY TO MOLEX ELECTRONIC TECHNOLOGIES, LLC AND SHOULD NOT BE USED WITHOUT WRITTEN PERMISSION											
EC NO: 107065 DRWN: NASANUMA CHK'D: YKOBAYASHI02 APPR: KMORIKAWA	2016/02/17		2016/08/01		2016/08/02		GENERAL TOLERANCES (UNLESS SPECIFIED)		DIMENSION UNITS	SCALE	
	ANGULAR TOL ± 1.0 °		4 PLACES ± 0.1		3 PLACES ± 0.1		2 PLACES ± 0.1		MM	12:1	
	1 PLACE ± 0.1		0 PLACES ± 0.1		DRWN BY		DATE		NASANUMA 2016/02/17		
	DRAFT WHERE APPLICABLE MUST REMAIN WITHIN DIMENSIONS		A3		CHK'D BY		DATE		YKOBAYASHI02 2016/08/01		
	THIRD ANGLE PROJECTION		DRAWING SIZE		APPR BY		DATE		KMORIKAWA 2016/08/02		
PRODUCT CUSTOMER DRAWING			SERIES			MATERIAL NUMBER			CUSTOMER		
78119			78119			78119					
DOCUMENT NUMBER				DOC TYPE		DOC PART		SHEET NUMBER			
781191002				PSD		000		3 OF 3			