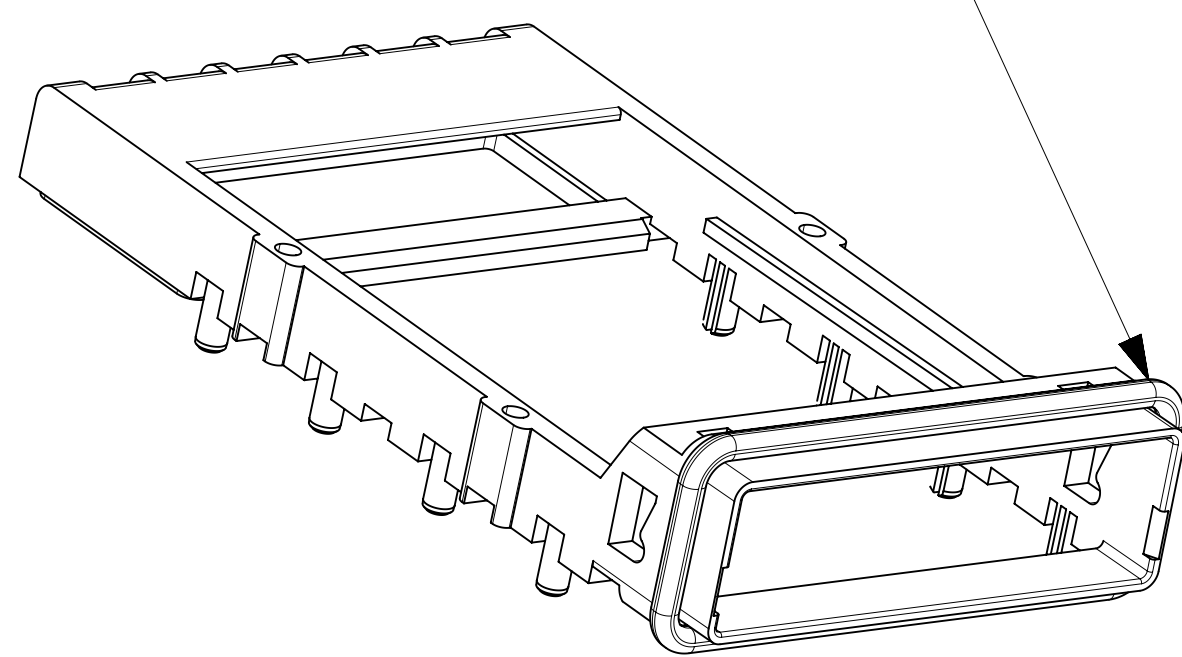
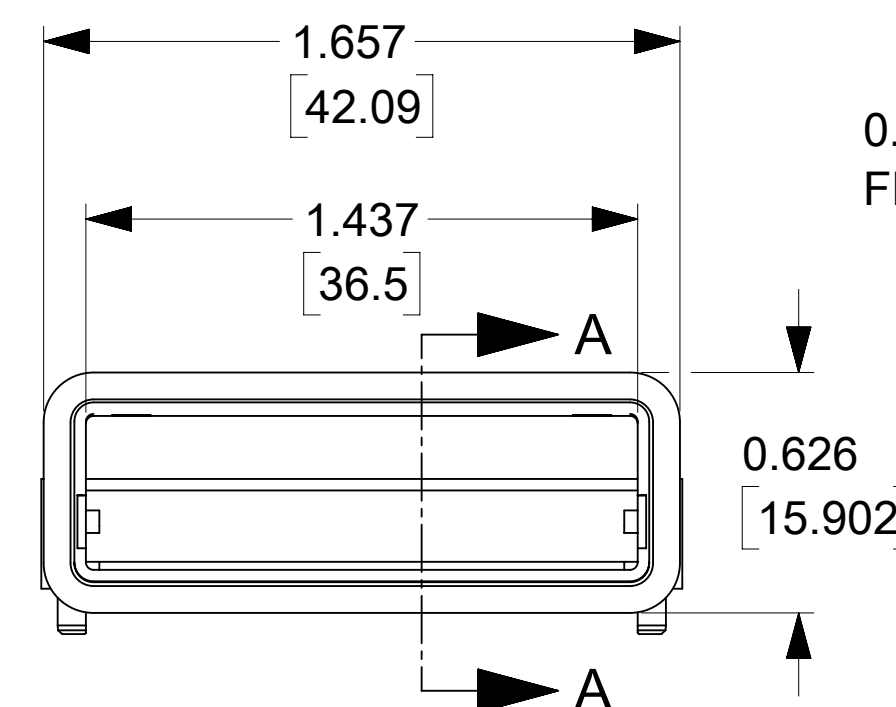
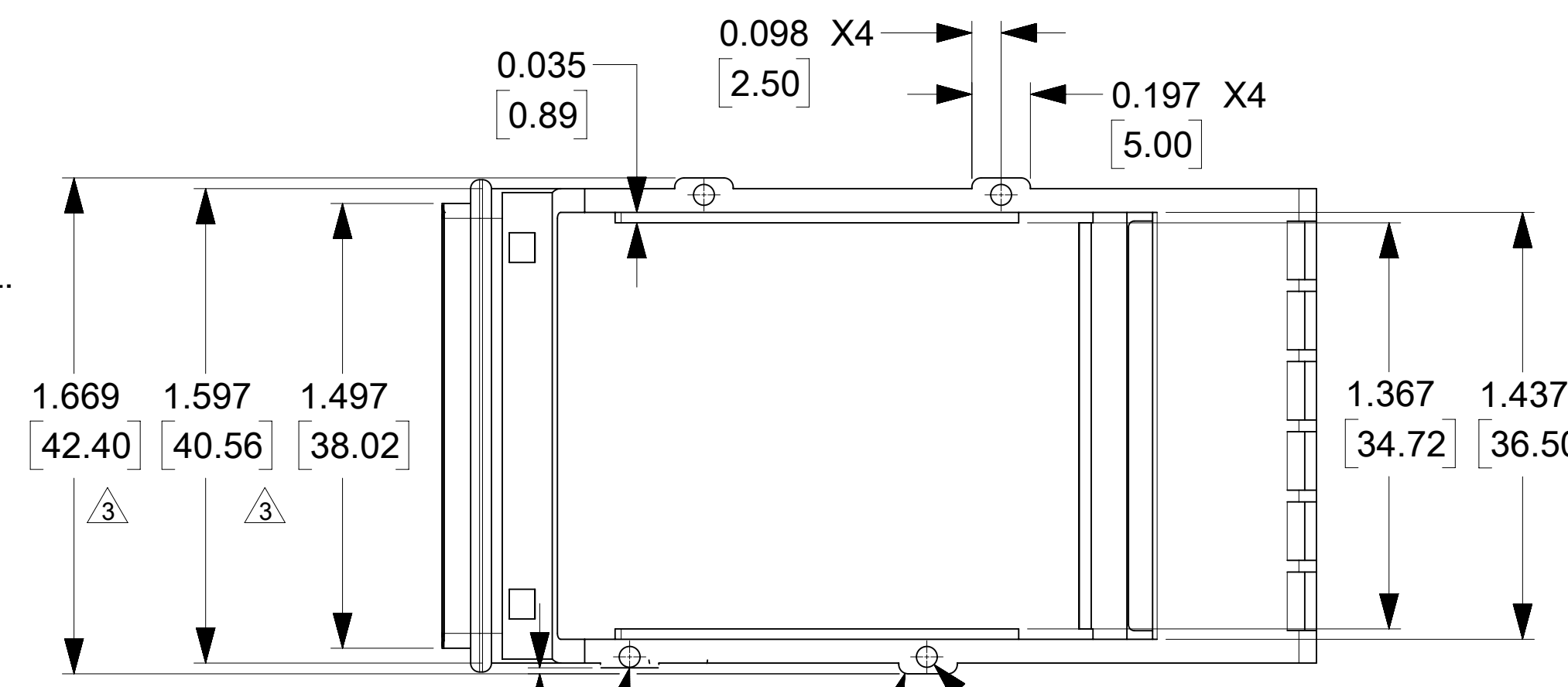


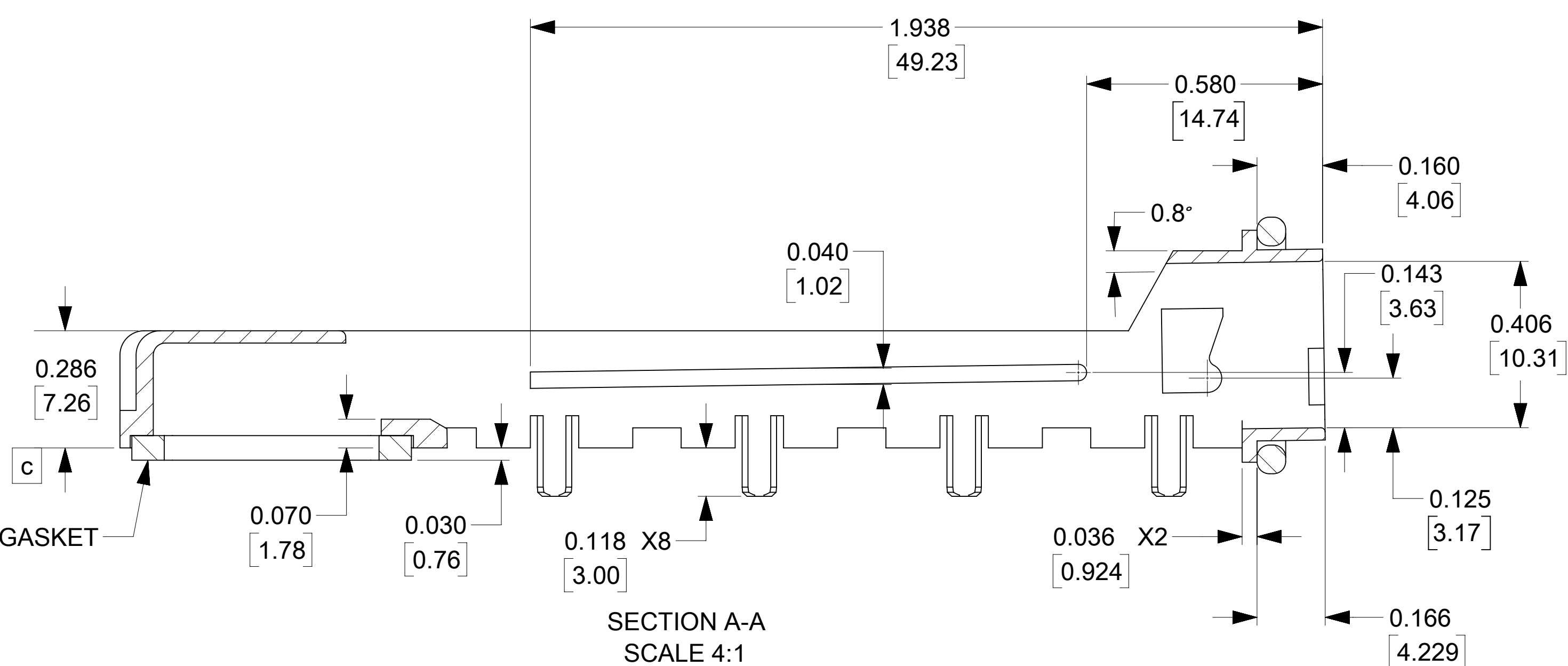
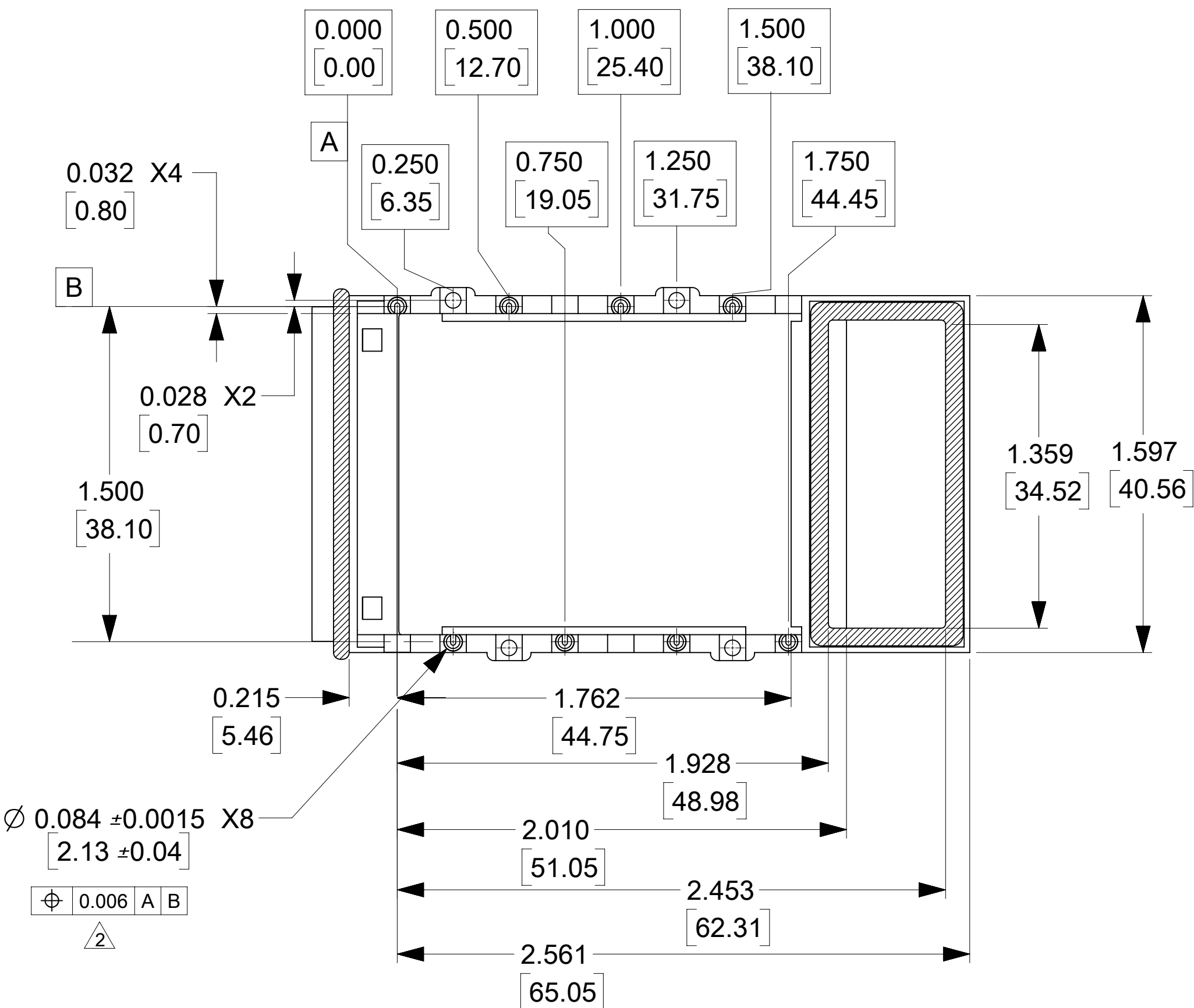
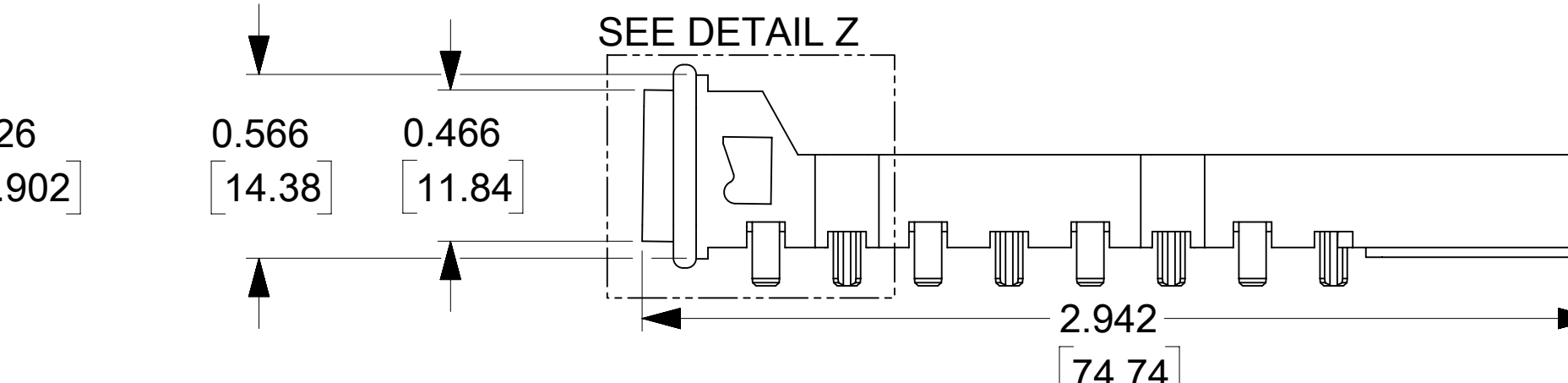
EMI GASKET TO PCB



EMI GASKET FOR FRONT PANEL.
THE EMI GASKET MATERIAL IS A ROUND,
COMPLIANT, CONDUCTIVE ELASTOMER THAT
STRETCHES AROUND THE MOUTH OF THE XPAK RAIL.
A BEZEL LOCATED PER THE XPAK MSA WILL
MAKE GROUNDING CONTACT WITH THE GASKET TO
PROVIDE EMI SHIELDING.



0.20 MILLED (REMOVED)
FROM THIS SURFACE



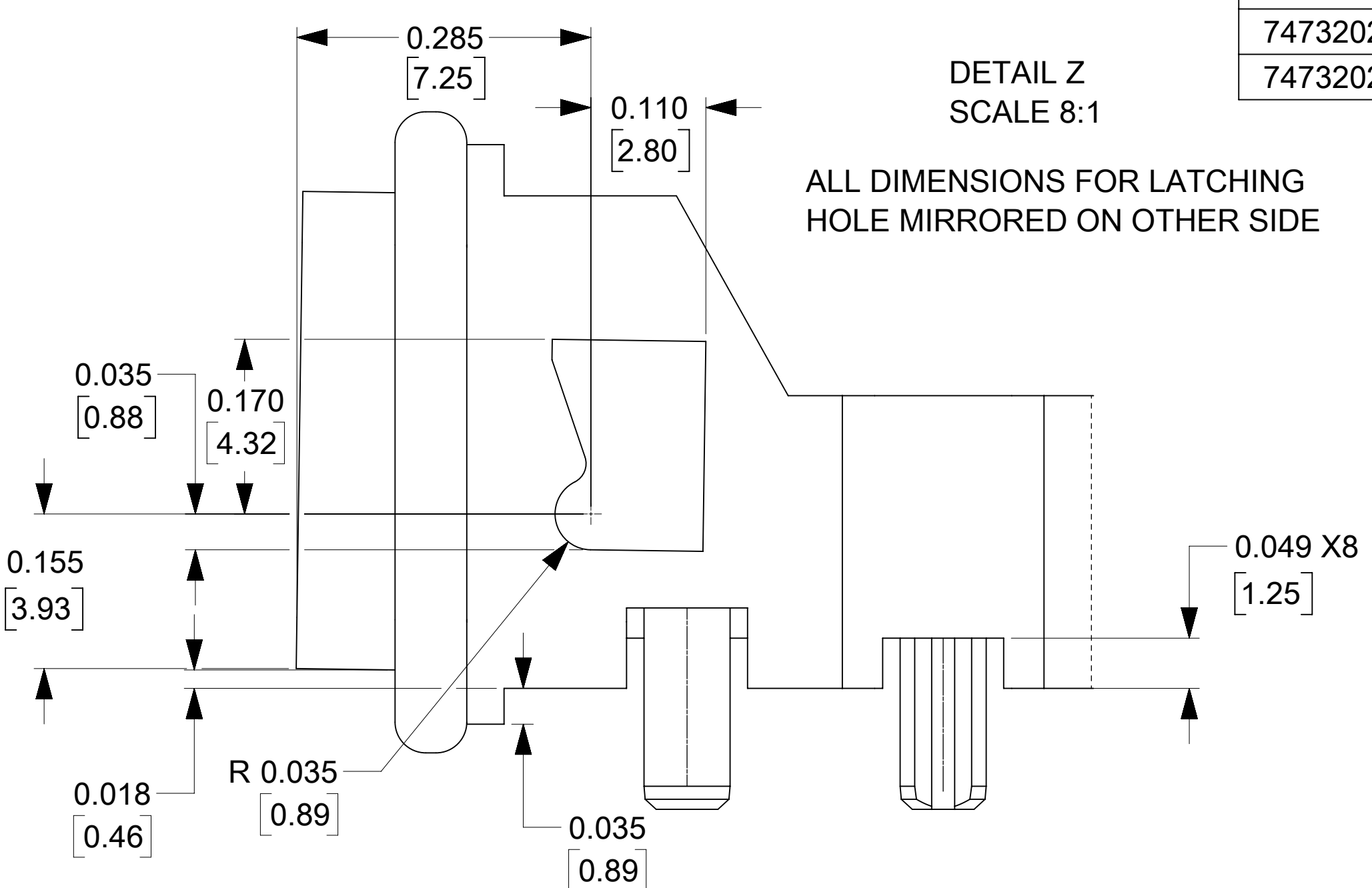
SECTION A-A
SCALE 4:1

MOLEX P/N	DESCRIPTION
747320221	XPAK RAIL ASSEMBLY - WITH ONE MILLED SIDE AND 0.078 ELASTOMER GASKET
747320222	XPAK RAIL ASSEMBLY - WITH ONE MILLED SIDE AND 0.098 ELASTOMER GASKET
747320223	XPAK RAIL ASSEMBLY - WITH ONE MILLED SIDE AND 0.090 ELASTOMER GASKET

DETAIL Z
SCALE 8:1

ALL DIMENSIONS FOR LATCHING
HOLE MIRRORED ON OTHER SIDE

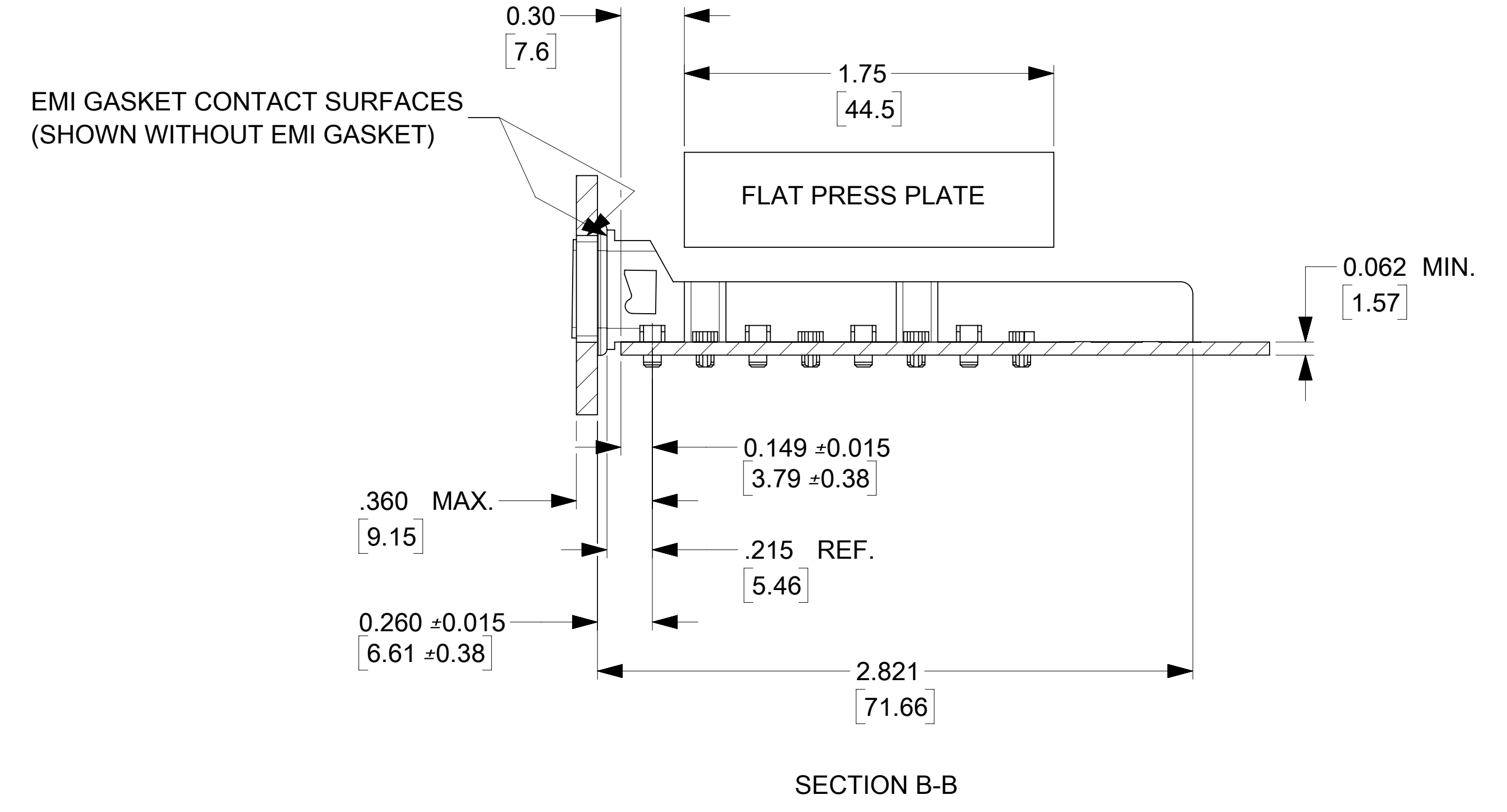
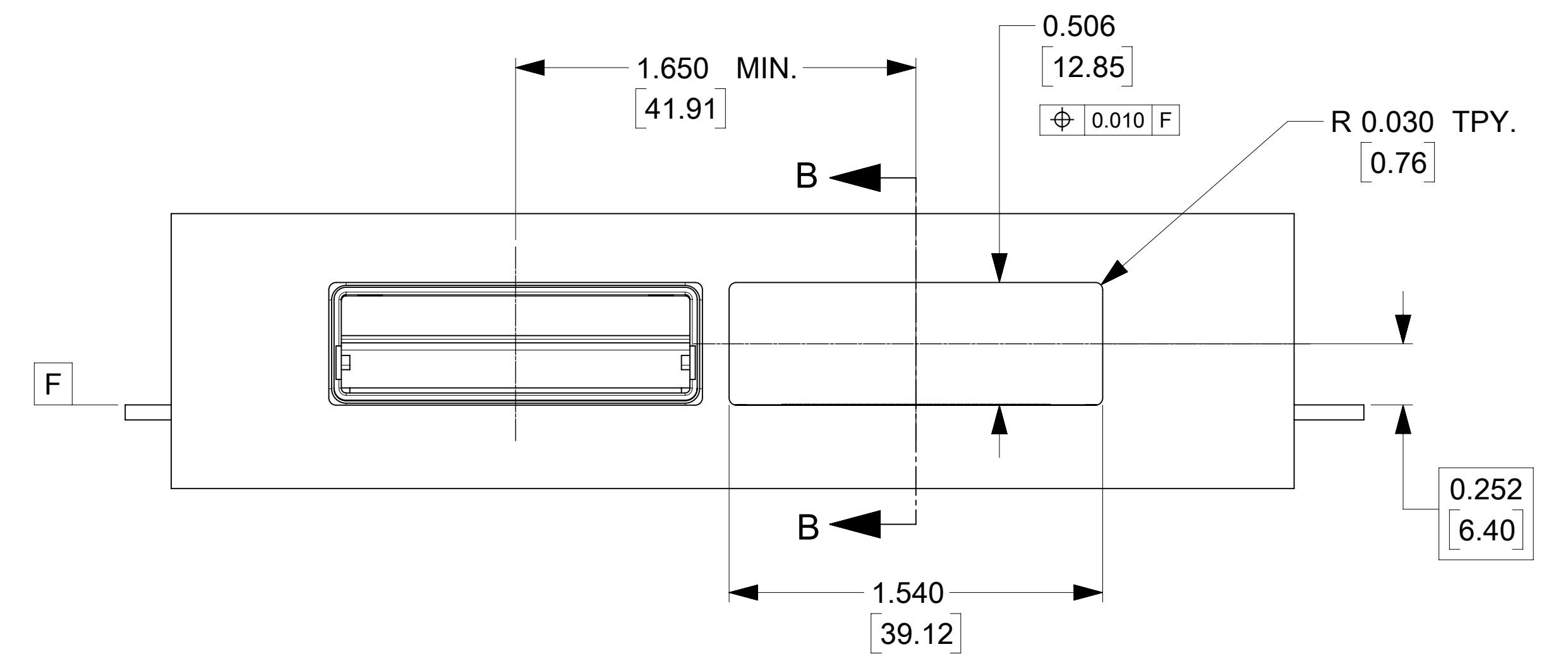
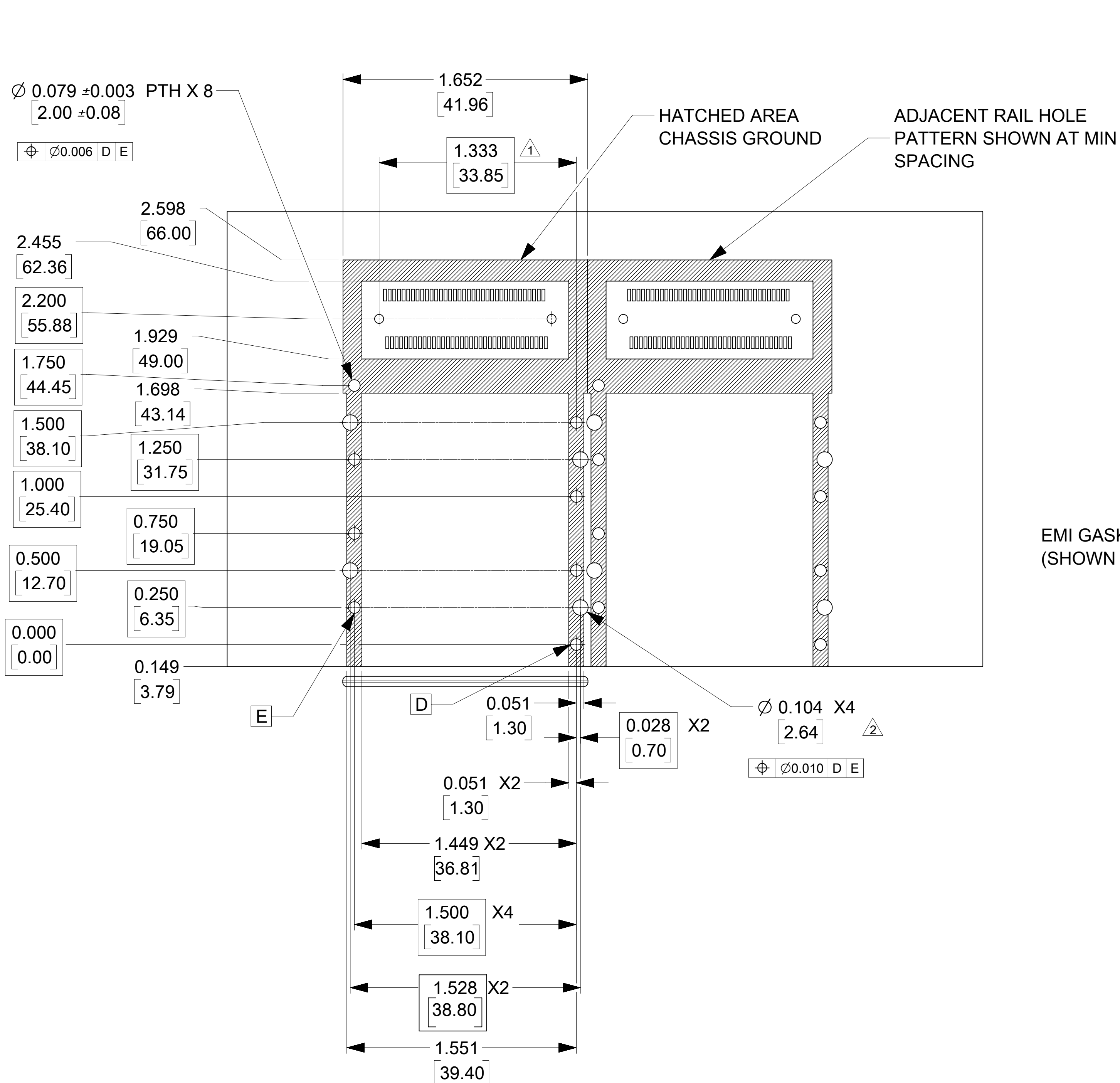
1. MATERIAL: NICKEL PLATED ZINC ALLOY DIECAST
2. FOR USE WITH HASL, GOLD OR SILVER IMMERSION FINISHED PTH
3. THESE DIMENSIONS EXCEED MSA MAXIMUM.
4. MINIMUM PCB THICKNESS FOR PRESS FIT ON ONE SIDE 0.062 [1.57]
5. MINIMUM PCB THICKNESS FOR BELLY TO BELLY 0.090 [2.29]



THIS DRAWING CONTAINS INFORMATION THAT IS PROPRIETARY TO MOLEX ELECTRONIC TECHNOLOGIES, LLC AND SHOULD NOT BE USED WITHOUT WRITTEN PERMISSION

DIMENSION UNITS	SCALE	CURRENT REV DESC: OBSOLETE PART NO	
IN/MM	2:1		
GENERAL TOLERANCES (UNLESS SPECIFIED)		EC NO: 625872	2019/08/13
4 PLACES ±	±	DRWN: VLOKESHA	2019/11/06
3 PLACES ±	± 0.005	CHK'D: GB	2019/11/12
2 PLACES ±	± 0.13 ± 0.01	APPR: GGA	
1 PLACE ±	± 0.25 ±	INITIAL REVISION:	
0 PLACES ±	±	DRWN: KLLOYD	2002/05/01
ANGULAR TOL	± 0.5°	APPR: BRUSSELL	2002/05/01
DRAFT WHERE APPLICABLE MUST REMAIN WITHIN DIMENSIONS	THIRD ANGLE PROJECTION	DRAWING	SERIES
		D-SIZE	74732

molex			
XPAK GUIDE RAIL ASSEMBLY (SALES) W/ MILLED SIDE			
PRODUCT CUSTOMER DRAWING			
DOCUMENT NUMBER	DOC TYPE	DOC PART	REVISION
SD-74732-221	PSD	001	F1
MATERIAL NUMBER	CUSTOMER	SHEET NUMBER	
SEE CHART	GENERAL MARKET	1 OF 2	



1. SEE DRAWING SD-74441-001 FOR HOST CONNECTOR LAYOUT DETAIL.
2. THESE HOLES CAN BE OMITTED, THEY ARE NOT NEEDED FOR THIS RAIL VERSION.
3. PLATED HOLES CAN BE HASL, GOLD OR SILVER IMMERSION.
4. PCB LAYOUT SHOWN IS FOR SINGLE SIDED MOUNTING ONLY.
5. BELLY TO BELLY MOUNTING REQUIRES ABOVE LAYOUT MIRRORED ON OPPOSITE SIDE OF PCB AND THE SECONDARY BEZEL OPENING MUST ACCOMODATE THE PCB THICKNESS VARIATION.

THIS DRAWING CONTAINS INFORMATION THAT IS PROPRIETARY TO MOLEX ELECTRONIC TECHNOLOGIES, LLC AND SHOULD NOT BE USED WITHOUT WRITTEN PERMISSION											
DIMENSION UNITS		SCALE		CURRENT REV DESC: OBSOLETE PART NO							
IN/MM		2:1									
GENERAL TOLERANCES (UNLESS SPECIFIED)										molex XPAK GUIDE RAIL ASSEMBLY (SALES) W/ MILLED SIDE PRODUCT CUSTOMER DRAWING	
	MM		INCH	EC NO: 625872		2019/08/13					
4 PLACES	±		±	DRWN: VLOKESHA		2019/11/06					
3 PLACES	±		± 0.005	CHK'D: GB		2019/11/12					
2 PLACES	±	0.13	± 0.01	APPR: GGA							
1 PLACE	±	0.25	±	INITIAL REVISION:							
0 PLACES	±		±	DRWN: KLLOYD		2002/05/01		DOCUMENT NUMBER			
ANGULAR TOL		± 0.5°		APPR: BRUSSELL		2002/05/01		DOC TYPE			
DRAFT WHERE APPLICABLE MUST REMAIN WITHIN DIMENSIONS				THIRD ANGLE PROJECTION		DRAWING		SERIES		MATERIAL NUMBER	
						D-SIZE		74732		CUSTOMER	
								SEE CHART		GENERAL MARKET	
										SHEET NUMBER	
										2 OF 2	