

# SPECIFICATION FOR APPROVAL



TO: \_\_\_\_\_

PART NO.		REV.		DELTA SAMPLE ISSUE NO	
PART NAME	POWER ENTRY MODULE			DELTA MODEL	06AN2
ORDER P/N.	06AN2			SAMPLE ISSUE DATE	

1. ELECTRICAL CHARACTERISTICS:

1-1. VOLTAGE RATING ..... 250VAC

1-2. CURRENT RATING

UL : RECOGNIZED AT 6A,115VAC/250VAC

CSA : CERTIFIED AT 6A,115VAC/250VAC

SEMKO : 6A/250VAC

1-3. OPERATING FREQUENCY .....48-440Hz

1-4. HIPOT RATING (FOR ONE MINUTE)

A. LINE TO GROUND ..... 2000VAC

B. LINE TO LINE ..... 2000VAC

1-5. MINIMUM INSERTION RESISTANCE (FOR ONE NINUTE AT 500VDC)

A. LINE & NEUTRAL TO GROUND ..... 10M OHM

B. LINE TO NEUTRAL ..... 10M OHM

1-6. SAFETY



REPORT BY	CHECKED BY	APPROVED BY		
			REV.	

**DELTA ELECTRONICS, INC.**

186 RUEY KUANG ROAD, NEIHU. TAIPEI 114,  
TAIWAN, R.O.C.  
TEL:886-2-87972088 FAX:886-2-87972120

# SPECIFICATION FOR APPROVAL



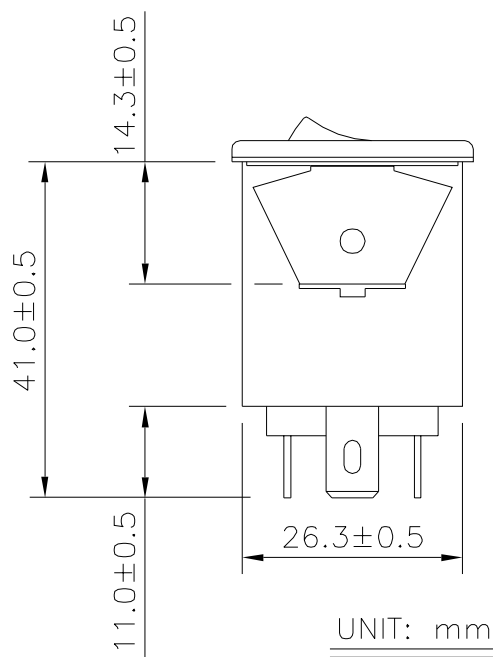
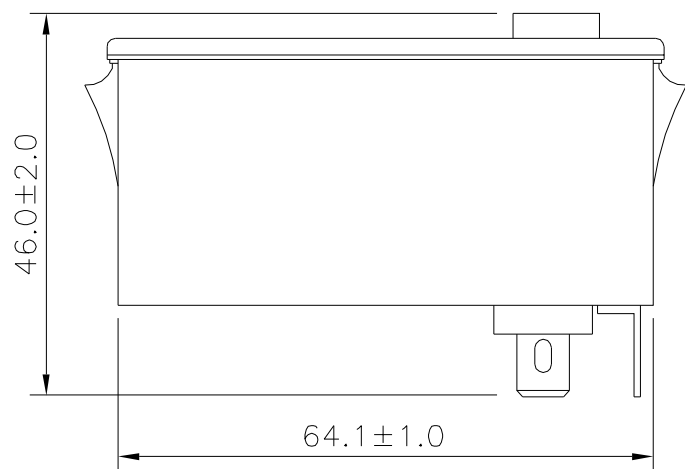
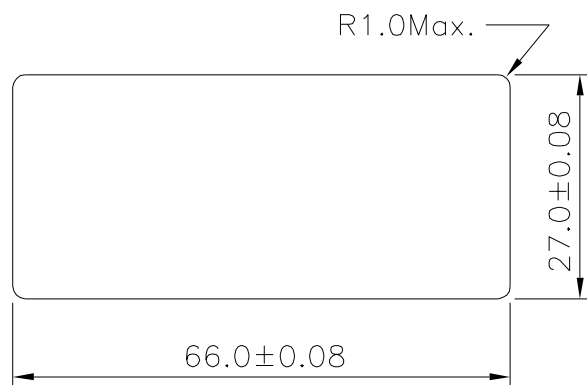
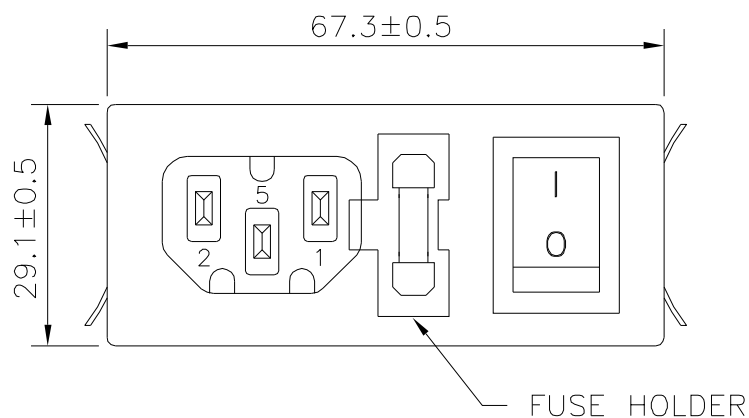
TO: \_\_\_\_\_

PART NO.		REV.		DELTA SAMPLE ISSUE NO	
PART NAME	POWER ENTRY MODULE		DELTA MODEL	06AN2	
ORDER P/N.	06AN2		SAMPLE ISSUE DATE		

## 2. PHYSICAL DIMENSIONS:

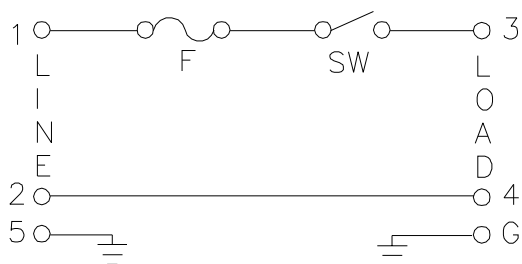
\* SUGGESTED THICKNESS OF MOUNTING PANEL IS FROM 1.0 TO 1.6 mm

\* SUGGEST MOUNTING CUTOUT



UNIT: mm

## 3. SCHEMATIC:



REPORT BY	CHECKED BY	APPROVED BY	UNLESS OTHERWISE SPECIFIED DIMENSION TOLERANCE DCEIMALS .X±      .XX±      ANGLES±		
			REV.		

**DELTA ELECTRONICS, INC.**

186 RUEY KUANG ROAD, NEIHU. TAIPEI 114,  
TAIWAN, R.O.C.  
TEL:886-2-87972088 FAX:886-2-87972120