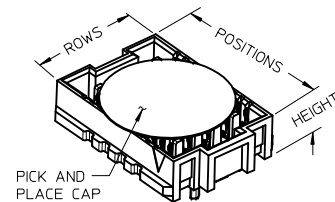
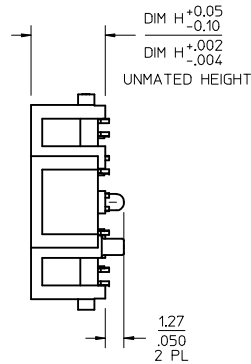
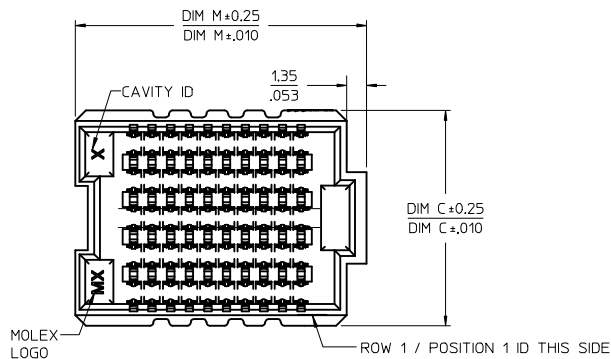


10 ROW  
10 POSITION  
SHOWN

NOTES:

- MATERIALS: HOUSING: LCP, GLASS FILLED, UL94V-0, BLACK  
CONTACTS: COPPER ALLOY  
SOLDER CHARGE: 95.5% TIN, 3.8% SILVER, 0.7% COPPER
- FINISH: SELECT GOLD IN CONTACT AREA: 30 MICROINCH MINIMUM  
SELECT TIN IN TAIL, 50 MICROINCH MINIMUM  
OVERALL - NICKEL UNDERPLATE OVERALL
- PRODUCT SPECIFICATION: PS-45970-001
- PACKAGING SPECIFICATION: TRAY PACK PK-45971-001
- MATES WITH SEARAY PLUG ASSEMBLY 45970
- APPLICATION SPECIFICATION: AS-45970-001
- COSMETIC SPECIFICATION: PS-45499-002 CLASS B
- PART STATUS: CONTACT MOLEX



POSITION	HEIGHT
10	0.15/.006
20	0.15/.006
30	0.15/.006
40	0.15/.006
50	0.15/.006
15	0.15/.006
25	0.15/.006
35	0.23/.009
45	0.23/.009

ROWS: 10				
DIM R: (REF)	5.0 MM	6.5 MM	7.5 MM	
DIM H:	5.04/.199	6.55/.258	7.54/.297	
POSITION	DIM M	MATERIAL NO	MATERIAL NO	MATERIAL NO
20	32.52/1.282		45971-2311	
30	45.26/1.782	45971-3111		
40	57.96/2.282			45971-4411

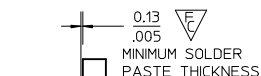
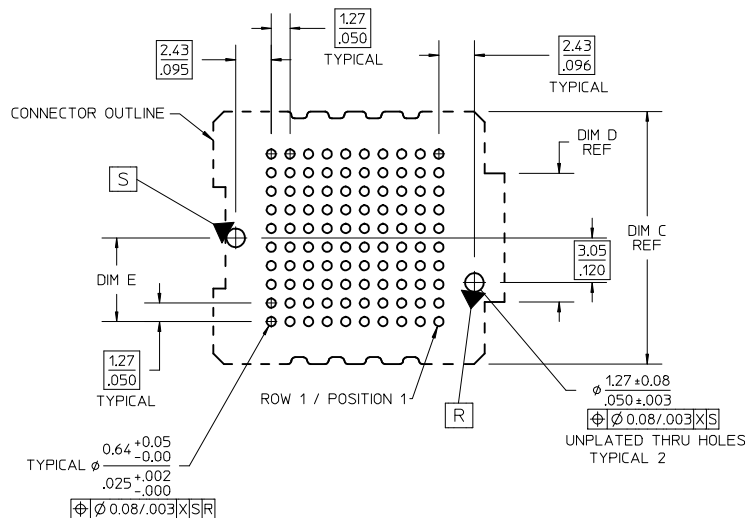
MATED STACK HEIGHTS  
(GIVEN IN MILLIMETERS FOR REFERENCE ONLY)

<b>INITIAL RELEASE</b> EC NO: UCP2015-1206 DRAWN: RWHIPPLE 2014/10/24 CHKD: DMORGAN 2014/10/24 APPR: SMILLER 2015/01/05	QUALITY SYMBOLS $\nabla=0$ $\nabla=0$ $\nabla=0$	GENERAL TOLERANCES (UNLESS SPECIFIED) <table border="1"> <tr><th>mm</th><th>INCH</th></tr> <tr><td>4 PLACES ± ---</td><td>± ---</td></tr> <tr><td>3 PLACES ± ---</td><td>± .010</td></tr> <tr><td>2 PLACES ± 0.25</td><td>± .015</td></tr> <tr><td>1 PLACE ± 0.38</td><td>± ---</td></tr> <tr><td>0 PLACE ±</td><td>±</td></tr> </table>	mm	INCH	4 PLACES ± ---	± ---	3 PLACES ± ---	± .010	2 PLACES ± 0.25	± .015	1 PLACE ± 0.38	± ---	0 PLACE ±	±	DIMENSION STYLE <b>MM/IN</b>	SCALE <b>3:1</b>	DESIGN UNITS <b>INCH</b>	THIRD ANGLE PROJECTION
	mm	INCH																
	4 PLACES ± ---	± ---																
	3 PLACES ± ---	± .010																
2 PLACES ± 0.25	± .015																	
1 PLACE ± 0.38	± ---																	
0 PLACE ±	±																	
DRAWN BY RWHIPPLE	DATE 2014/10/24	CHECKED BY DMORGAN	DATE 2014/10/24	TITLE <b>SEARAY RECEPTACLE ASSY 1.27/.050 CENTERS TRAY PACKAGING</b>														
APPROVED BY SMILLER	DATE 2015/01/05	MATERIAL NO. <b>SEE TABLE</b>			DOCUMENT NO. <b>RSD-45971-002</b>	SHEET NO. <b>1 OF 2</b>												
DRAFT WHERE APPLICABLE MUST REMAIN WITHIN DIMENSIONS						THIS DRAWING CONTAINS INFORMATION THAT IS PROPRIETARY TO MOLEX INCORPORATED AND SHOULD NOT BE USED WITHOUT WRITTEN PERMISSION												

10 9 8 7 6 5 4 3 2 1

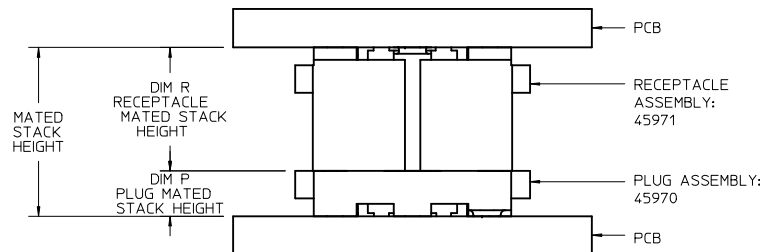
NO OF ROWS	DIM C	DIM D	DIM E
8	12.14/.478	3.70/.146	4.44/.175
10	14.68/.578	6.24/.246	5.71/.225

10 ROW  
10 POSITION  
SHOWN



DIM P PLUG STACK HEIGHT	DIM R RECEPTACLE STACK HEIGHT			
	MM	5.0	6.5	7.5
2.0	7.0	8.5	9.5	
3.0	8.0	9.5	10.5	
3.5	8.5	10.0	11.0	
2.5	7.5	9.0	10.0	
4.5	9.5	11.0	12.0	
5.0	10.0	11.5	12.5	
7.0	12.0	13.5	14.5	

MATED STACK HEIGHTS  
GIVEN IN MILLIMETERS (MM) FOR REFERENCE ONLY



MATED STACK HEIGHTS  
(GIVEN IN MILLIMETERS FOR REFERENCE ONLY)

SEE SHEET 1 EC NO: UCP2015-1206 DRWN:RWHIPPLE 2014/10/24 CHKD:DMORGAN 2014/10/24 APPR:SMILLER 2015/01/05	QUALITY SYMBOLS	GENERAL TOLERANCES (UNLESS SPECIFIED)	DIMENSION STYLE	SCALE	DESIGN UNITS	THIRD ANGLE PROJECTION
	▽=0	4 PLACES ± --- ± ---	MM/IN	3:1	INCH	◎
	▽=2	3 PLACES ± --- ± .010				
	▽=0	2 PLACES ± 0.25 ± .015				
		1 PLACE ± 0.38 ± ---				
		0 PLACE ± ±				
		ANGULAR ± --- °				
		DRAFT WHERE APPLICABLE MUST REMAIN WITHIN DIMENSIONS				
			MATERIAL NO.	DOCUMENT NO.		SHEET NO.
			SEE TABLE SHEET 1	RSD-45971-002		2 OF 2
			SIZE B	THIS DRAWING CONTAINS INFORMATION THAT IS PROPRIETARY TO MOLEX INCORPORATED AND SHOULD NOT BE USED WITHOUT WRITTEN PERMISSION		

SEARAY RECEPTACLE ASSY  
1.27/.050 CENTERS  
TRAY PACKAGING

**molex**

9 8 7 6 5 4 3 2 1