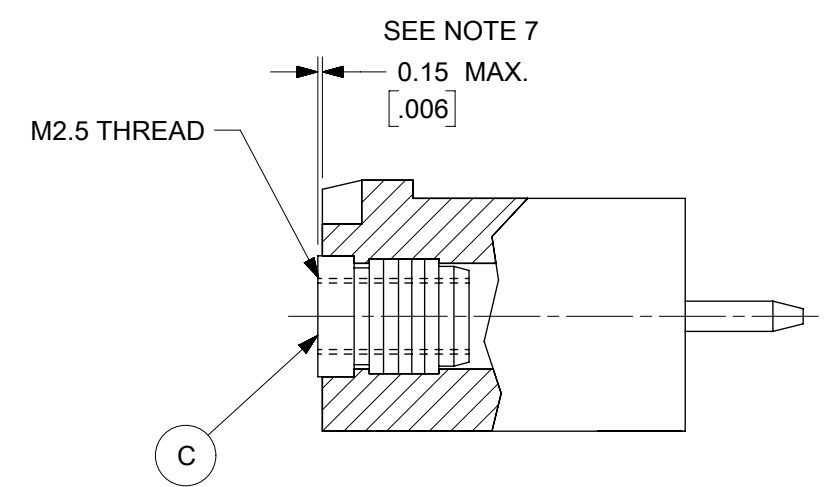
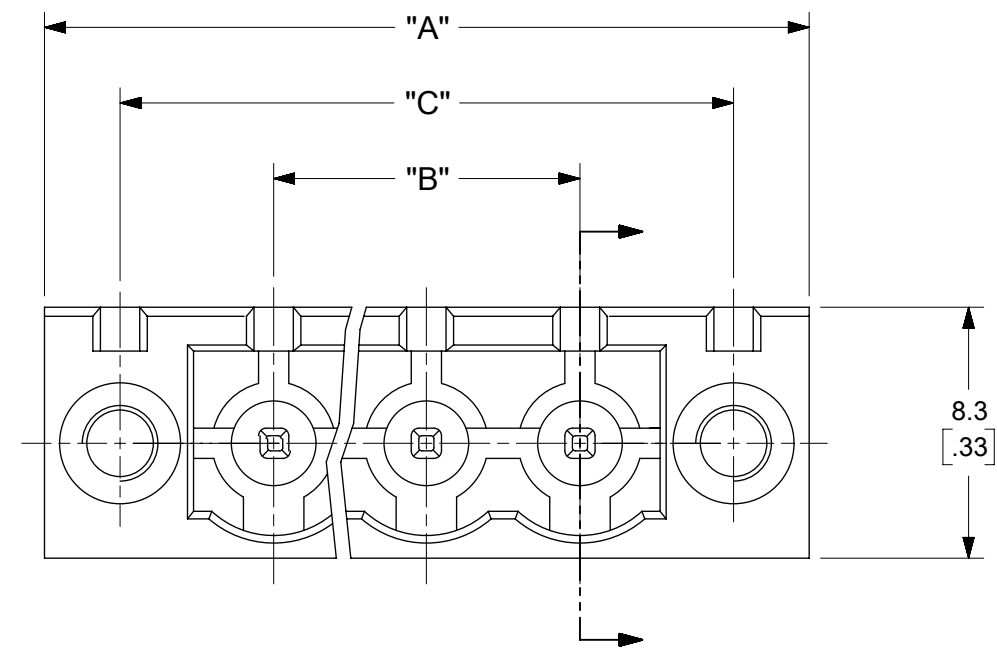
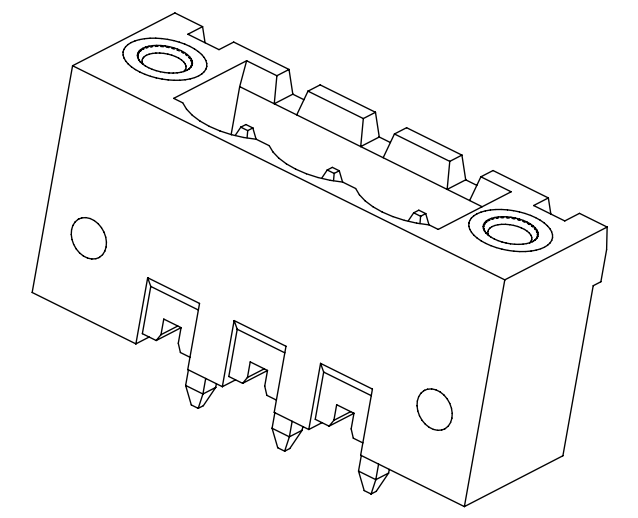
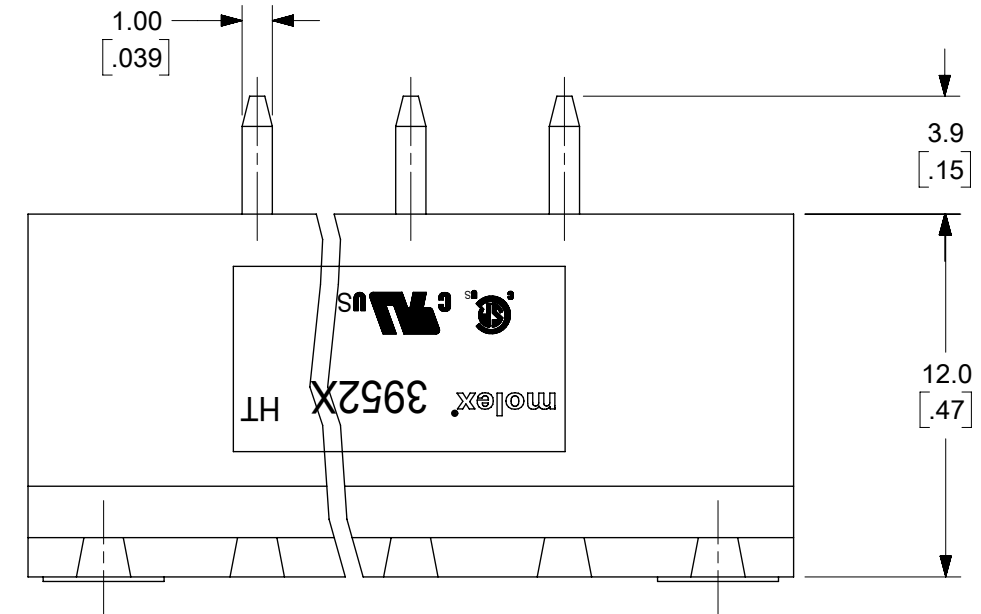
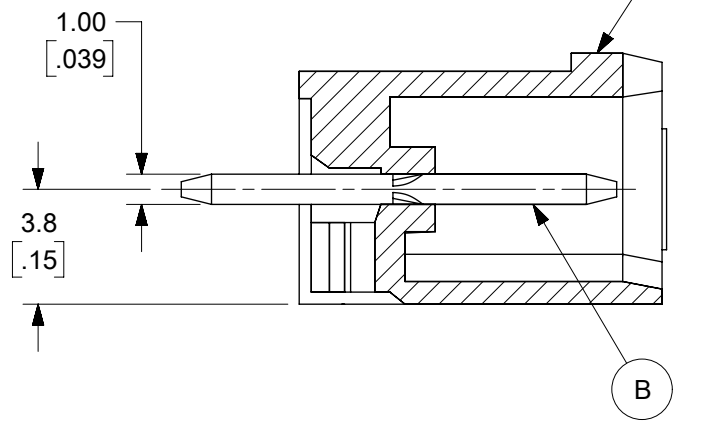


PTH LAYOUT



SPECIFICATIONS:

1. MATERIAL:
  - (A). BODY: PA/46, UL94V-0
  - (B). PIN: BRASS
  - (C). THREADED INSERT: BRASS
2. ELECTRICAL RATING: 300V, 15A
3. WIRE STRIP LENGTH: N/A
4. OPERATING TEMPERATURE: -40°C to +105°C
5. MAX. INSERT RETENTION FORCE: 11.02 LBF (49.03N)
6. INSULATION RESISTANCE: DC 500V, 500M
7. DIELECTRIC WITHSTAND: AC 2500V FOR 1 MINUTE
8. BREAKDOWN VOLTAGE : 4000V.
9. MAX. SOLDERING TEMP: 260°C (500°F) FOR 5 SECONDS
10. A = (B + 15.0mm)
11. B = (N - 1) x P
12. C = (B + 10mm)
13. P (PITCH) = 5.0MM (.197")
14. N = NUMBER OF POSITIONS AVAILABLE 2 THROUGH 24
15. DIMS SHOWN ARE FOR REFERENCE ONLY



TOLERANCES			
MM	TOL	INCH	TOL
0-6	±0.25	0-.24	±.010
>6-30	±0.40	.24-1.18	±.016
>30-120	±0.50	1.18-4.76	±.020
>120	±0.80	>4.76	±.031

SYMBOLS		THIS DRAWING CONTAINS INFORMATION THAT IS PROPRIETARY TO MOLEX ELECTRONIC TECHNOLOGIES, LLC AND SHOULD NOT BE USED WITHOUT WRITTEN PERMISSION	
▽ = 0	DIMENSION UNITS	SCALE	CURRENT REV DESC: ADDED TOL TABLE
▽ = 0	MM/INCH	4:1	
▽ = 0	GENERAL TOLERANCES (UNLESS SPECIFIED)		
▽ = 0		MM	INCH
▽ = 0	4 PLACES ±		
▽ = 0	3 PLACES ±	SEE CHART	SEE CHART
▽ = 0	2 PLACES ±	SEE CHART	SEE CHART
▽ = 0	1 PLACE ±	SEE CHART	SEE CHART
▽ = 0	0 PLACES ±		
▽ = 0	ANGULAR TOL ±		
▽ = 0	DRAFT WHERE APPLICABLE MUST REMAIN WITHIN DIMENSIONS	THIRD ANGLE PROJECTION	DRAWING
			SERIES
			MATERIAL NUMBER
			CUSTOMER
			SHEET NUMBER

molex			
5.0MM, EURO HEADER, VERTICAL, HI-TEMP MOUNTING			
PRODUCT CUSTOMER DRAWING			
DOCUMENT NUMBER	DOC TYPE	DOC PART	REVISION
SD-39525-001	PSD	001	B2
EC NO: 620295		DRWN: ABENJAMINLW 2019/07/04	
CHK'D: DACHAMMER 2019/07/09		APPR: JFMURPHY 2019/08/02	
INITIAL REVISION:		DRWN: LROTHAUS 2006/01/09	
APPR: JPAWLICK 2006/01/10		SERIES 39525	
MATERIAL NUMBER		CUSTOMER	
SEE SHEET-2		GENERAL MARKET	
		SHEET NUMBER 1 OF 2	

F

E

D


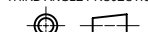
C

B

A

DESCRIPTION	CIRCUIT SIZE	MATERIAL NUMBERS						DIMENSIONAL INFORMATION					
		BLACK											
		100% TIN			30 u" GOLD								
		PRINTING OPTIONS			PRINTING OPTIONS			DIM. "A"		DIM. "B"		DIM. "C"	
		None	10AV	11AV	None	10AV	11AV	mm	inch	mm	inch	mm	inch
5.0MM, EURO HEADER, VERTICAL, MOUNTING ENDS, HIGH TEMP	2	395254002	395254302	395254402	395254502	395254802	395254902	20.00	.787	5.00	.197	15.00	.591
5.0MM, EURO HEADER, VERTICAL, MOUNTING ENDS, HIGH TEMP	3	395254003	395254303	395254403	395254503	395254803	395254903	25.00	.984	10.00	.394	20.00	.787
5.0MM, EURO HEADER, VERTICAL, MOUNTING ENDS, HIGH TEMP	4	395254004	395254304	395254404	395254504	395254804	395254904	30.00	1.181	15.00	.591	25.00	.984

TOLERANCES			
MM	TOL	INCH	TOL
0-6	±0.25	0-.24	±.010
>6-30	±0.40	.24-1.18	±.016
>30-120	±0.50	1.18-4.76	±.020
>120	±0.80	>4.76	±.031

<b>SYMBOLS</b> ▽ = 0 ▽ = 0 ▽ = 0 ▽ = 0 ▽ = 0 ▽ = 0 ▽ = 0 ▽ = 0 ▽ = 0 ▽ = 0	THIS DRAWING CONTAINS INFORMATION THAT IS PROPRIETARY TO MOLEX ELECTRONIC TECHNOLOGIES, LLC AND SHOULD NOT BE USED WITHOUT WRITTEN PERMISSION		CURRENT REV DESC: ADDED TOL TABLE		 5.0MM, EURO HEADER, VERTICAL, HI-TEMP MOUNTING PRODUCT CUSTOMER DRAWING
	DIMENSION UNITS	SCALE	EC NO: 620295 DRWN: ABENJAMINLW 2019/07/04 CHK'D: DACHAMMER 2019/07/09 APPR: JFMURPHY 2019/08/02		
	MM/INCH	4:1	INITIAL REVISION: DRWN: LROTHAUS 2006/01/09 APPR: JPAWLICK 2006/01/10		
	GENERAL TOLERANCES (UNLESS SPECIFIED)		DOCUMENT NUMBER: SD-39525-001 DOC TYPE: PSD DOC PART: 001 REVISION: B2		
	4 PLACES ±	MM	INCH	MATERIAL NUMBER: SEE TABLE CUSTOMER: GENERAL MARKET SHEET NUMBER: 2 OF 2	
	3 PLACES ±	±	±		
	2 PLACES ±	SEE CHART	SEE CHART		
	1 PLACE ±	SEE CHART	±		
	0 PLACES ±	±	±		
	ANGULAR TOL ±	±			
DRAFT WHERE APPLICABLE MUST REMAIN WITHIN DIMENSIONS	THIRD ANGLE PROJECTION	DRAWING	SERIES		
		B-SIZE	39525		