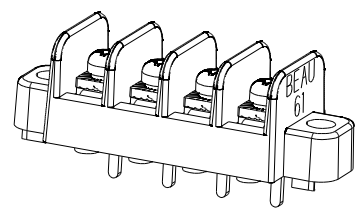
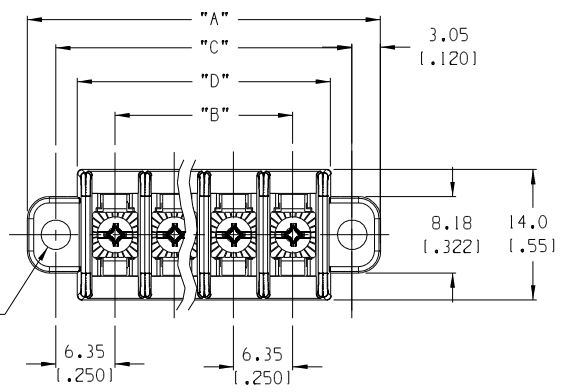
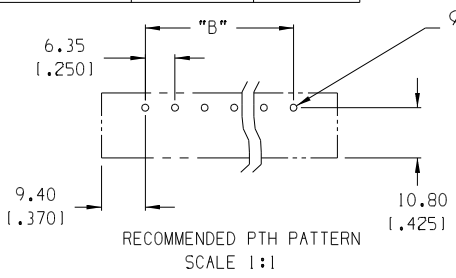
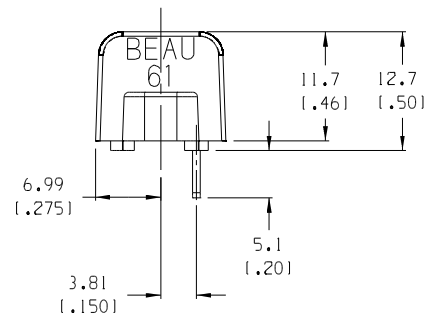
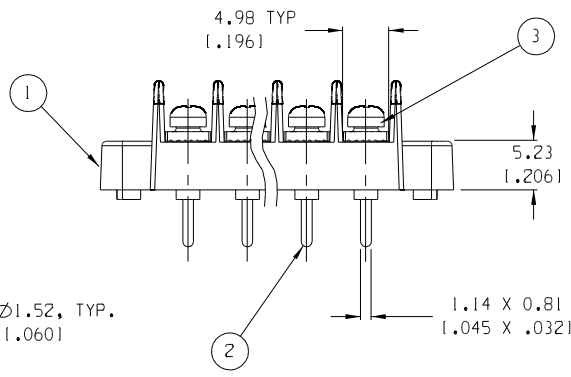


	10	9		8		7		6	5	4	3	2	1
	QTY. OF CIRC. "XX"	DIM. "A"		DIM. "B"		DIM. "C"		DIM. "D"		MATERIAL # (-50 OPT.)			
F	02	25.1	1.991	6.35	1.2501	19.05	1.7501	14.4	1.571	38610-7602			
	03	31.5	11.241	12.70	1.5001	25.40	11.0001	20.8	1.821	38610-7603			
	04	37.8	11.491	19.05	1.7501	31.75	11.2501	27.1	1.1071	38610-7604			
	05	44.2	11.741	25.40	11.0001	38.10	11.5001	33.5	1.1321	38610-7605			
	06	50.5	11.991	31.75	11.2501	44.45	11.7501	39.8	1.1571	38610-7606			
	07	56.9	12.241	38.10	11.5001	50.80	12.0001	46.2	1.1821	38610-7607			
	08	63.2	12.491	44.45	11.7501	57.15	12.2501	52.5	1.2071	38610-7608			
	09	69.6	12.741	50.80	12.0001	63.50	12.5001	58.9	1.2321	38610-7609			
	10	75.9	12.991	57.15	12.2501	69.85	12.7501	65.2	1.2571	38610-7610			
E	11	82.3	13.241	63.50	12.5001	76.20	13.0001	71.6	1.2821	38610-7611			
	12	88.6	13.491	69.85	12.7501	82.55	13.2501	77.9	1.3071	38610-7612			
	13	95.0	13.741	76.20	13.0001	88.90	13.5001	84.3	1.3321	38610-7613			
	14	101.3	13.991	82.55	13.2501	95.25	13.7501	90.6	1.3571	38610-7614			
	15	107.7	14.241	88.90	13.5001	101.60	14.0001	97.0	1.3821	38610-7615			
	16	114.0	14.491	95.25	13.7501	107.95	14.2501	103.3	1.4071	38610-7616			
	17	120.4	14.741	101.60	14.0001	114.30	14.5001	109.7	1.4321	38610-7617			
	18	126.7	14.991	107.95	14.2501	120.65	14.7501	116.0	1.4571	38610-7618			
	19	133.1	15.241	114.30	14.5001	127.00	15.0001	122.4	1.4821	38610-7619			
D	20	139.4	15.491	120.65	14.7501	133.35	15.2501	128.7	1.5071	38610-7620			
	21	145.8	15.741	127.00	15.0001	139.70	15.5001	135.1	1.5321	38610-7621			
	22	152.1	15.991	133.35	15.2501	146.05	15.7501	141.4	1.5571	38610-7622			
	23	158.5	16.241	139.70	15.5001	152.40	16.0001	147.8	1.5821	38610-7623			
	24	164.8	16.491	146.05	15.7501	158.75	16.2501	154.1	1.6071	38610-7624			
	25	171.2	16.741	152.40	16.0001	165.10	16.5001	160.5	1.6321	38610-7625			
	26	177.5	16.991	158.75	16.2501	171.45	16.7501	166.8	1.6571	38610-7626			
	27	183.9	17.241	165.10	16.5001	177.80	17.0001	173.2	1.6821	38610-7627			
C	28	190.2	17.491	171.45	16.7501	184.15	17.2501	179.5	1.7071	38610-7628			
	29	196.6	17.741	177.80	17.0001	190.50	17.5001	185.9	1.7321	38610-7629			
	30	202.9	17.991	184.15	17.2501	196.85	17.7501	192.2	1.7571	38610-7630			
	31	209.3	18.241	190.50	17.5001	203.20	18.0001	198.6	1.7821	38610-7631			
	32	215.6	18.491	196.85	17.7501	209.55	18.2501	204.9	1.8071	38610-7632			



4 CIRCUIT SHOWN



- NOTES:
1. MATERIAL: SEE TABLE
 2. FINISHES: SEE TABLE
 3. PRODUCT SPECIFICATION: NOT REQUIRED
 4. PACKAGING: NOT REQUIRED
 5. MATES WITH: NONE
 6. "XX" REFERS TO NUMBER OF CIRCUITS

ITEM	QTY.	DESCRIPTION	MATERIAL	FINISH
3	XX	SCREW & WASHER, #3-48 (-50 OPT)	STEEL	ZN, CLEAR CHROMATE
2	XX	TERMINAL, PC, STYLE 5	BRASS	TIN PLATE
1	1	BARRIER TERMINAL STRIP	THERMOPLASTIC	BLACK

EC NO. RELEASED DRW: CLY CH/K: APPR:	QUALITY SYMBOLS MAJOR CRITICAL SPC	GENERAL TOLERANCES: (UNLESS SPECIFIED)		SCALE 2:1	DESIGN UNITS <input type="checkbox"/> mm <input checked="" type="checkbox"/> INCH	THIRD ANGLE PROJECTION	PROJECT NO. - - -	DIMENSIONS: <input checked="" type="checkbox"/> mm <input type="checkbox"/> INCH <input type="checkbox"/> mm ONLY	SHT REV
		4 PLACES ±.0015 3 PLACES ±.005 2 PLACES ±.01 1 PLACE ±.3 ANGULAR: ±2°	DRAWN BY & DATE C. YORK 11-22-04	CHECKED BY & DATE	APPROVED BY & DATE	TITLE: 6.35mm (.250") SR BTS ASSY, CLAMP WASHER SCREW	MATERIAL NO. SEE CHART	DRAWING NO. SD-38610-004	SHEET NO. 1 OF 1
A	REV	DRAFT WHERE APPLICABLE MUST REMAIN WITHIN DIMENSIONS		CAD FILENAME 615XX			MOLEX INCORPORATED	THIS DRAWING CONTAINS INFORMATION THAT IS PROPRIETARY TO MOLEX INCORPORATED AND SHOULD NOT BE USED WITHOUT WRITTEN PERMISSION.	SIZE B