

# molex SALES PACKAGING SPECIFICATION

LANGUAGE

JAPANESE  
ENGLISH

1. 3191-\*\*-P、3191-\*\*-P-201、3191-\*\*-P1、3191-\*\*-P1-201 梱包仕様  
PACKAGING SPEC..

1-1. 製品名称 / PRODUCT NAME : PLUG HS'G (.093 DIA TERM.)

製品番号 / PART NUMBER : 3191-\*\*-P

3191-\*\*-P-201

3191-\*\*-P1

3191-\*\*-P1-201

(\*\*は極数を示す)

(\*\* IS CIRCUITS SIZE)

1-2. 標準梱包数 / STANDARD PACKAGING QUANTITY

(1) 3191-\*\*-P、-\*\*-P-201

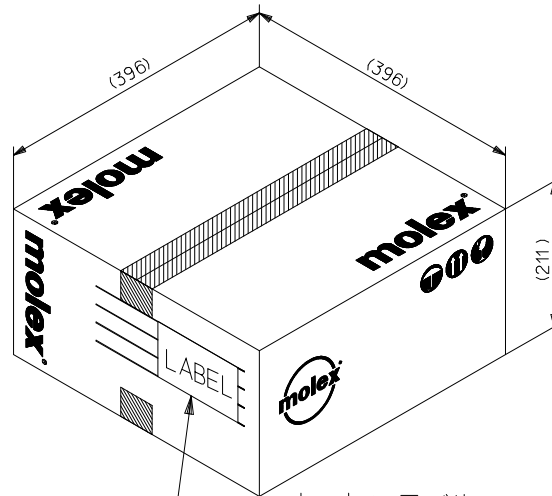
極数 CKT. SIZE	ポリ袋 POLY BAG	外装カートン SHIPPING CARTON	
	1袋中の製品数 QUANTITY IN ONE BAG	ポリ袋の数 NUMBER OF POLY BAG	製品数 QUANTITY
1	1,000	4	4,000
2	1,000	2	2,000
3	500	3	1,500
4	500	3	1,500
6	200	5	1,000
9	200	4	800
12	200	3	600
15	100	4	400

REV.	B								
SHEET	1~4								
REVISE ON PC ONLY				TITLE:					
<b>B</b>	REVISED J2013-1094 2013/05/20 Y.TOKUZONO			3191 梱包仕様書 SALES PACKAGING SPEC. FOR 3191					
	THIS DOCUMENT CONTAINS INFORMATION THAT IS PROPRIETARY TO MOLEX INC. AND SHOULD NOT BE USED WITHOUT WRITTEN PERMISSION								
REV.	DESCRIPTION			WRITTEN BY: T.SUZUKI	CHECKED BY: T.HARUYAMA	APPROVED BY: H.HIRATA	DATE: YR/MO/DAY 2013/05/20		
DESIGN CONTROL J		STATUS					FILE NAME SPK3191001.docx	SHEET 1 OF 4	
DOCUMENT NUMBER <b>SPK-3191-001</b>							EN-037(2013-04 rev.1)		

(2) 3191-\*\*-P 1、-\*\*-P 1-201

極 数 CKT. SIZE	ポリ袋 POLY BAG	外装カートン SHIPPING CARTON	
	1袋中の製品数 QUANTITY IN ONE BAG	ポリ袋の数 NUMBER OF POLY BAG	製品数 QUANTITY
1	1,000	5	5,000
2	1,000	2	2,000
3	500	4	2,000
4	500	3	1,500
6	200	7	1,400
9	200	5	1,000
12	200	3	600
15	100	5	500

1-3. カートン外形参考寸法 / CARTON OUTER DIMENSIONS (REFERENCE PURPOSE ONLY)



カートンラベル  
CARTON LABEL  
(製品型番, 数量, ロットNO. 表示)  
INDICATION OF PART No., QUANTITY, LOT No.

外装カートン  
SHIPPING CARTON

REVISE ON PC ONLY		TITLE:	
<b>B</b>	SEE SHEET 1 OF 4	3 1 9 1 梱包仕様書 SALES PACKAGING SPEC. FOR 3191	
	REV.	DESCRIPTION	THIS DOCUMENT CONTAINS INFORMATION THAT IS PROPRIETARY TO MOLEX INC. AND SHOULD NOT BE USED WITHOUT WRITTEN PERMISSION
DOCUMENT NUMBER <b>SPK-3191-001</b>		FILE NAME SPK3191001.docx	SHEET 2 OF 4

2. 3191-\*\*-R1、3191-\*\*-R1-201 梱包仕様  
PACKAGING SPEC..

2-1. 製品名称 / PRODUCT NAME : RECEPTACLE HS'G (.093 DIA TERM.)

製品番号 / PART NUMBER : 3191-\*\*-R1

3191-\*\*-R1-201

(\*\*は極数を示す)

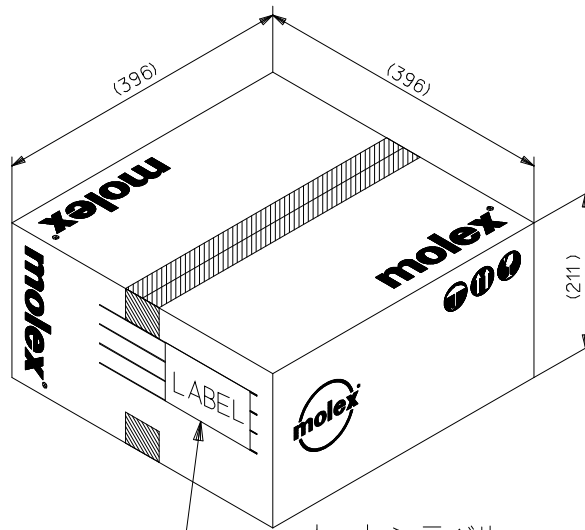
(\*\* IS CIRCUITS SIZE)

2-2. 標準梱包数 / STANDARD PACKAGING QUANTITY

極数 CKT. SIZE	ポリ袋 POLY BAG	外装カートン SHIPPING CARTON	
	1袋中の製品数 QUANTITY IN ONE BAG	ポリ袋の数 NUMBER OF POLY BAG	製品数 QUANTITY
1	1,000	6	6,000
2	1,000	3	3,000
3	500	4	2,000
4	500	4	2,000
6	200	8	1,600
9	200	5	1,000
12	200	4	800
15	100	6	600

REVISE ON PC ONLY		TITLE:	
<b>B</b>	SEE SHEET 1 OF 4	3191 梱包仕様書 SALES PACKAGING SPEC. FOR 3191	
		THIS DOCUMENT CONTAINS INFORMATION THAT IS PROPRIETARY TO MOLEX INC. AND SHOULD NOT BE USED WITHOUT WRITTEN PERMISSION	
REV.	DESCRIPTION		
DOCUMENT NUMBER <b>SPK-3191-001</b>		FILE NAME SPK3191001.docx	SHEET 3 OF 4
EN-037(2013-04 rev.1)			

2-3. カートン外形参考寸法 / CARTON OUTER DIMENSIONS (REFERENCE PURPOSE ONLY)



カートンラベル  
CARTON LABEL

(製品型番, 数量, ロットNO. 表示)  
INDICATION OF PART No., QUANTITY, LOT No.

外装カートン  
SHIPPING CARTON

REVISE ON PC ONLY		TITLE:	
<b>B</b>	SEE SHEET 1 OF 4	<b>3 1 9 1 梱包仕様書</b> SALES PACKAGING SPEC. FOR 3191	
REV.	DESCRIPTION	THIS DOCUMENT CONTAINS INFORMATION THAT IS PROPRIETARY TO MOLEX INC. AND SHOULD NOT BE USED WITHOUT WRITTEN PERMISSION	
DOCUMENT NUMBER <b>SPK-3191-001</b>		FILE NAME SPK3191001.docx	SHEET 4 OF 4
EN-037(2013-04 rev.1)			