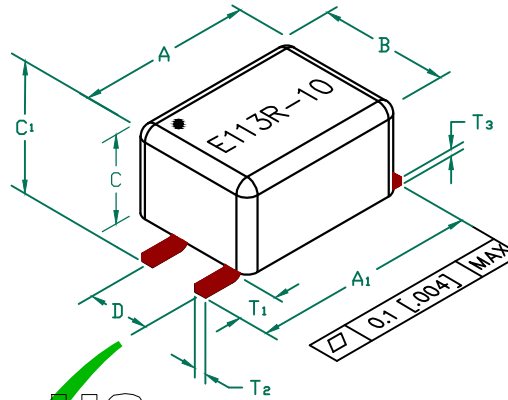


# CC2824E113R-10

ELECTRICAL SPECIFICATION @ 25°C  
OPERATING TEMPERATURE RANGE: -40°C TO +125°C

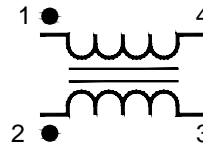
PARAMETER SYMBOL	TEST LEADS	CONDITIONS	REQUIREMENTS		
			MIN	TYP	MAX
Lp (μH)	1-4/2-3	@ 100KHz/ 10mV	7.7	11	14.3
L LEAKAGE (μH)	1-4 (s' 2-3)	@ 100KHz/ 10mV		0.05	
TRP			1 : 1 +/- 5%		
DCR(Ω)	1-4/2-3			0.12	0.156
Hi-pot	wdg-wdg	(Vac) .5mA, 2sec.	250		
RATED CURRENT (mA)					800
RATED VOLTAGE (Vdc)					80



## PHYSICAL DIMENSIONS:

A	7.50 [ .295 ]	+	MAX.
A <sub>1</sub>	9.00 [ .354 ]	+	0.40 [ .016 ]
B	5.50 [ .217 ]	+	MAX.
C	3.80 [ .150 ]	+	MAX.
C <sub>1</sub>	4.90 [ .193 ]	+	MAX.
D	2.54 [ .100 ]	+	0.10 [ .004 ]
T <sub>1</sub>	1.75 [ .069 ]	+	TYP.
T <sub>2</sub>	0.50 [ .020 ]	+	0.10 [ .004 ]
T <sub>3</sub>	0.30 [ .012 ]	+	0.10 [ .004 ]

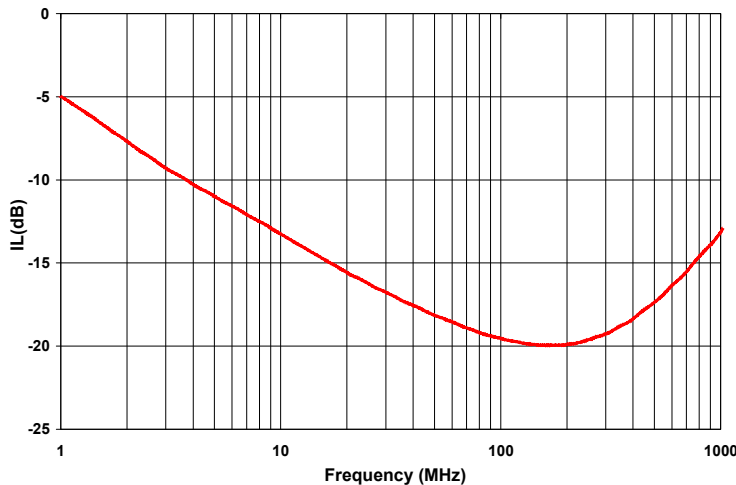
WEIGHT/1000 0.28 kgs [ .62 Lbs ]



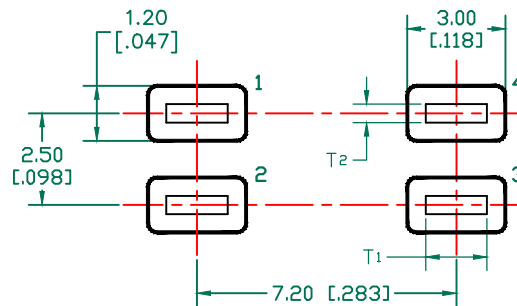
NOTES: UNLESS OTHERWISE SPECIFIED

1. TAPED AND REELED ON 13" REELS, 1500 PCS/REEL.
2. OPEN BOTTOM CONSTRUCTION.

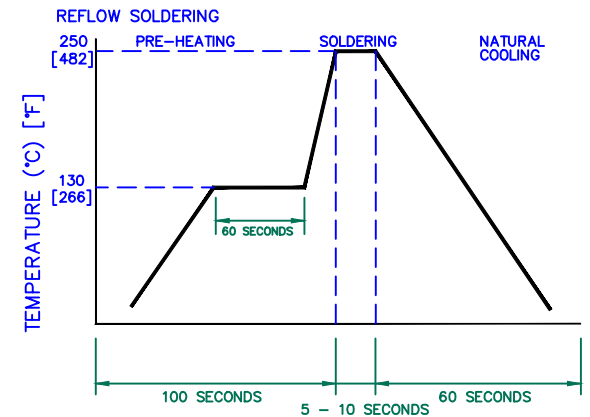
Typical Insertion Loss @ 50 ohm



## LAND PATTERNS FOR REFLOW SOLDERING



## RECOMMENDED SOLDERING CONDITIONS



DIMENSIONS ARE IN mm [INCHES].				This print is the property of Laird Tech. and is loaned in confidence subject to return upon request and with the understanding that no copies shall be made without the written consent of Laird Tech. All rights to design or invention are reserved.			
F	CHANGE MARKING	07/18/16	QIU	<b>PROJECT/PART NUMBER:</b> <b>CC2824E113R-10</b> <b>REV F ASSEMBLY</b> <b>DATE:</b> 06/08/05 <b>SCALE:</b> NTS <b>SHEET:</b> <b>CAD #</b> CC2824E113R-10-F <b>TOOL #</b> - <b>1 of 1</b>			
E	ADD RATING VOLTAGE	07/25/13	QIU				
D	CHANGE THE INDUCTANCE TEST VOLTAGE	03/11/10	JUN				
C	UPDATE COMPANY LOGO	04/08/09	JRK				
B	UPDATE COMPANY LOGO	05/09/07	JRK				
A	ORIGINAL DRAFT	06/08/05	JRK				
REV	DESCRIPTION	DATE	INT				

