

HHF-JFCU

Automotive in-line fuse holder for ATC blade-type fuses

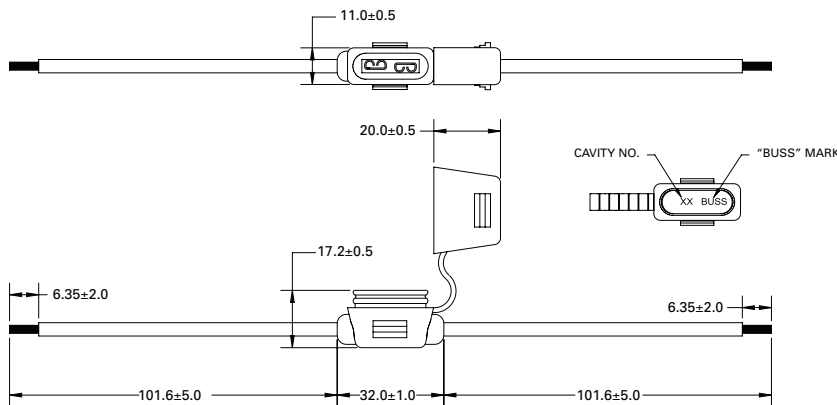


Product specifications

Part Number	Description	Fuse size	Voltage rating	Electrical connection	Maximum continuous current rating	Body material	Body contact material
HHF-JFCU	Black fuseholder with cover	3-20A	32Vdc	16 Gauge yellow leadwire	20A	Santoprene TPV	Brass/Tin plated

A fuse must be properly and fully inserted into the holder to provide a solid connection. Poor or improper insertion of the fuse can result in failure of the fuse and holder, thus not protecting the device for which it was intended.

Dimensions—mm



Environmental data

Normal operating temperature: +25°C ±2°C

Storage temperature: -10°C to +40°C

Packaging

Bulk: (500 parts per box)

Life Support Policy: Eaton does not authorize the use of any of its products for use in life support devices or systems without the express written approval of an officer of the Company. Life support systems are devices which support or sustain life, and whose failure to perform, when properly used in accordance with instructions for use provided in the labeling, can be reasonably expected to result in significant injury to the user.

Eaton reserves the right, without notice, to change design or construction of any products and to discontinue or limit distribution of any products. Eaton also reserves the right to change or update, without notice, any technical information contained in this bulletin.

Eaton
Electronics Division
1000 Eaton Boulevard
Cleveland, OH 44122
United States
www.eaton.com/elx

© 2015 Eaton
All Rights Reserved
Printed in USA
Publication No. 10443 BU-MC15015
September 2015

Eaton is a registered trademark.

All other trademarks are property of their respective owners.