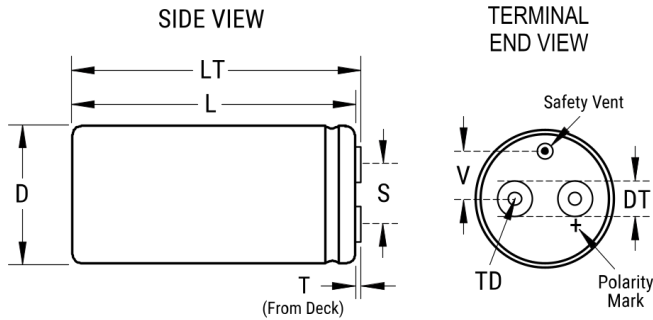


## ALS30M682NF250

Aliases (A331TM682M250M)

Obsolete

ALS30, Aluminum Electrolytic, 6,800 uF, 20%, 250 VDC, -40/+85°C



### General Information

Series	ALS30
Dielectric	Aluminum Electrolytic
Description	Screw Terminal, Aluminum Electrolytic
RoHS	Yes
AEC-Q200	No
Component Weight	690 g
Notes	Dimensions D And L Include Sleevings. Dimension LT Available On Request. MS (MxH) = M12x16. Mounting Clamp (Sold Separately): V11
Shelf Life	156 Weeks

### Specifications

Capacitance	6,800 uF
Capacitance Tolerance	20%
Voltage DC	250 VDC
Temperature Range	-40/+85°C
Rated Temperature	85°C
Life	20000 Hrs (Rated Voltage And Ripple Current At 85C), 40000 Hrs (Rated Voltage At 85C)
Resistance	29 mOhms (100Hz 20C), 25 mOhms (10kHz 20C)
Ripple Current	15 Amps (100Hz 85C), 16.5 Amps (10kHz 85C)
Leakage Current	6000 uA (5min 20°C)

### Dimensions

D	77mm +/-1mm
L	105mm +/-2mm
T	7.14mm +/-0.5mm
S	31.8mm +/-0.5mm
DT	8mm +/-0.5mm
LT	110.5mm +/-1mm
TD	10mm MIN
V	19mm NOM

### Packaging Specifications

Sleevings	Yes
Packaging	Bulk, Box