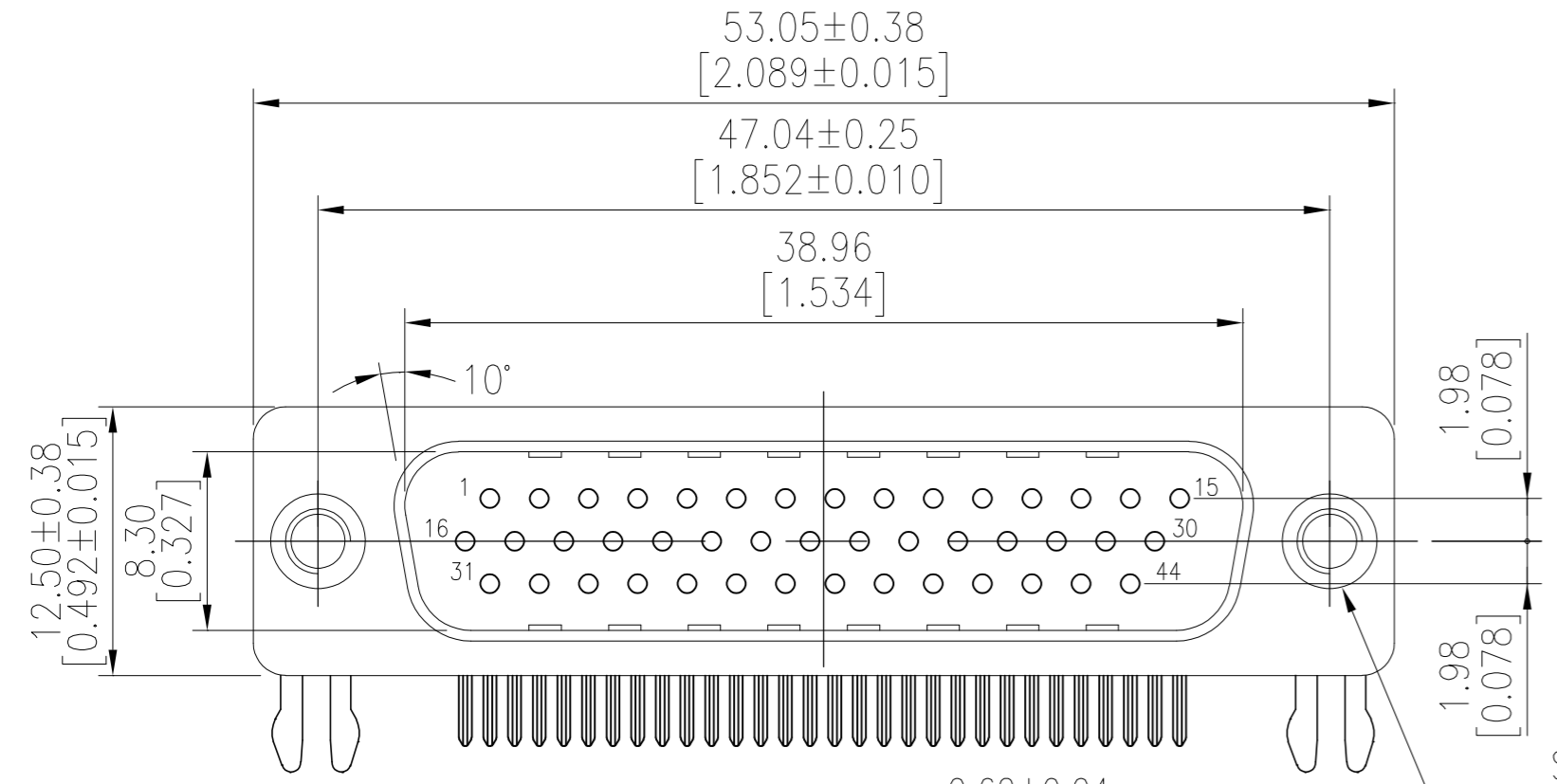
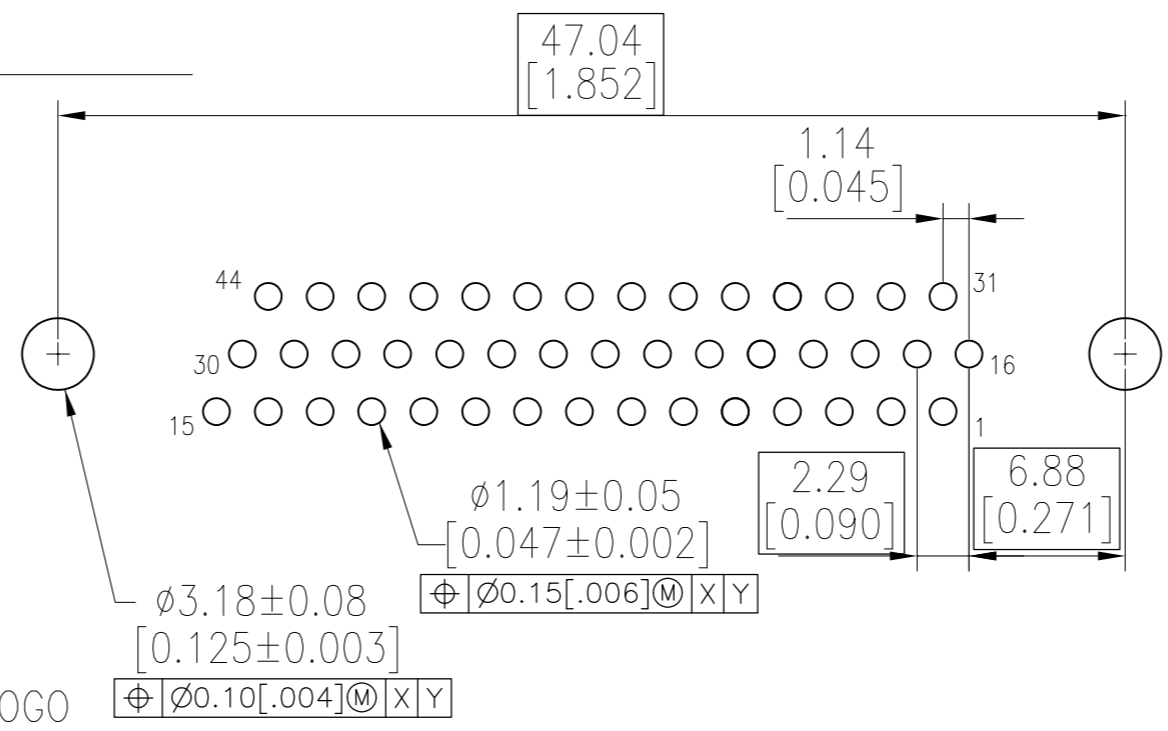
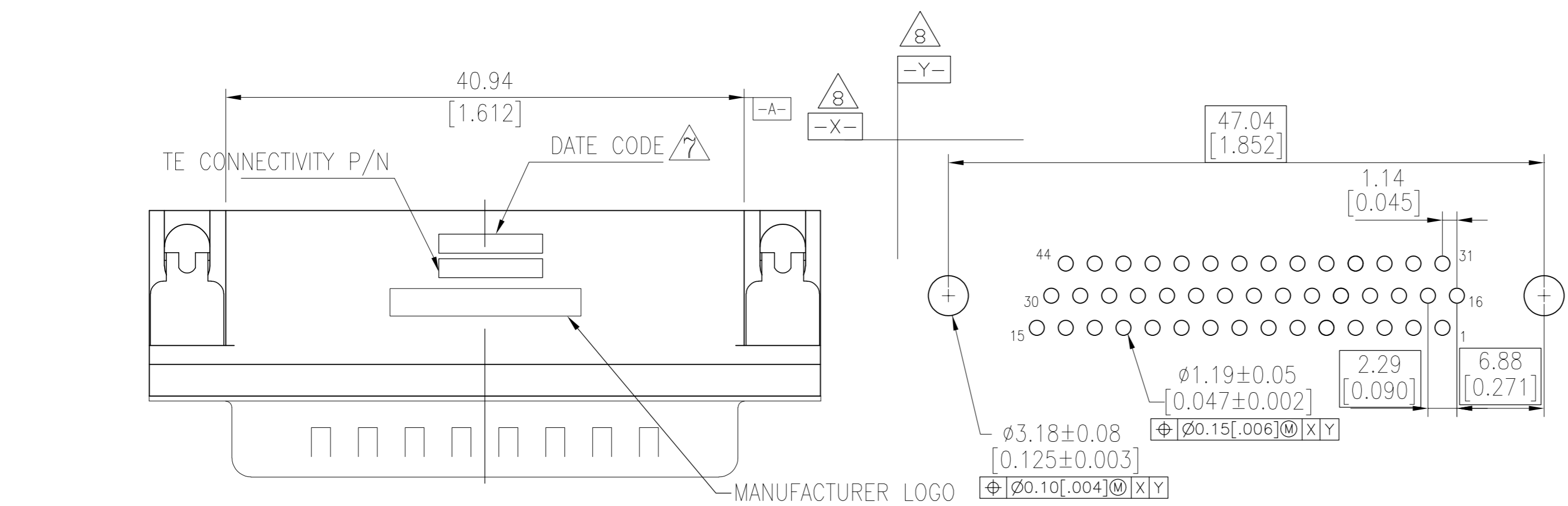
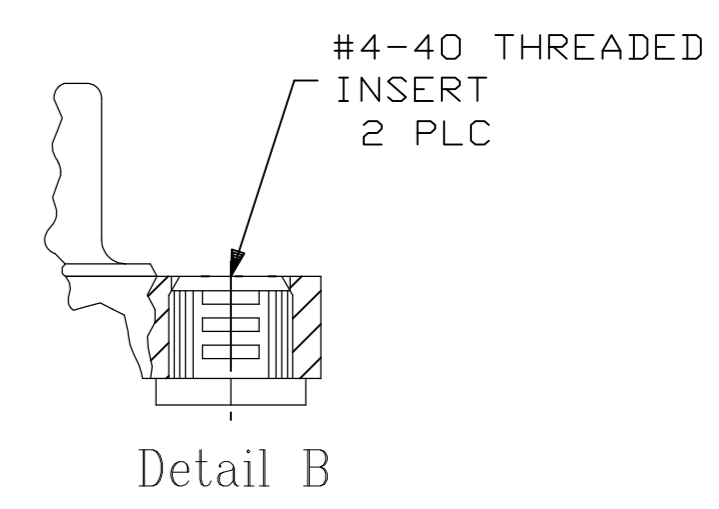
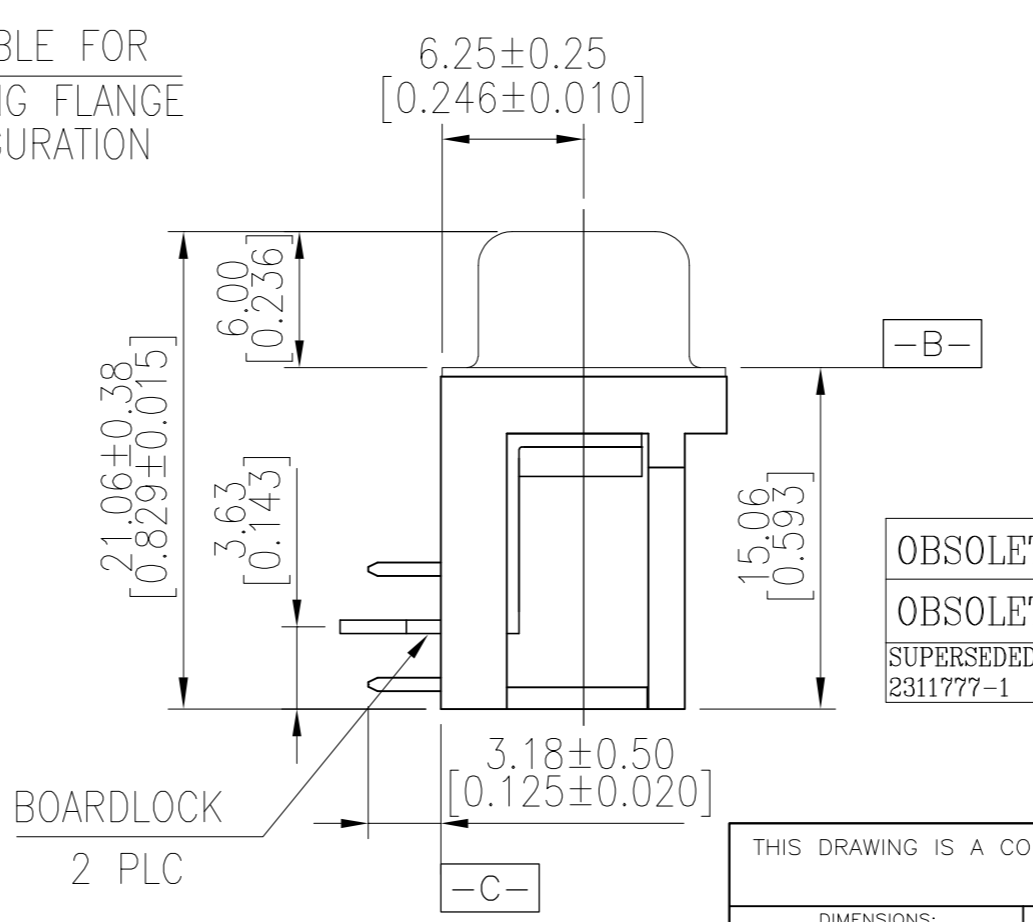
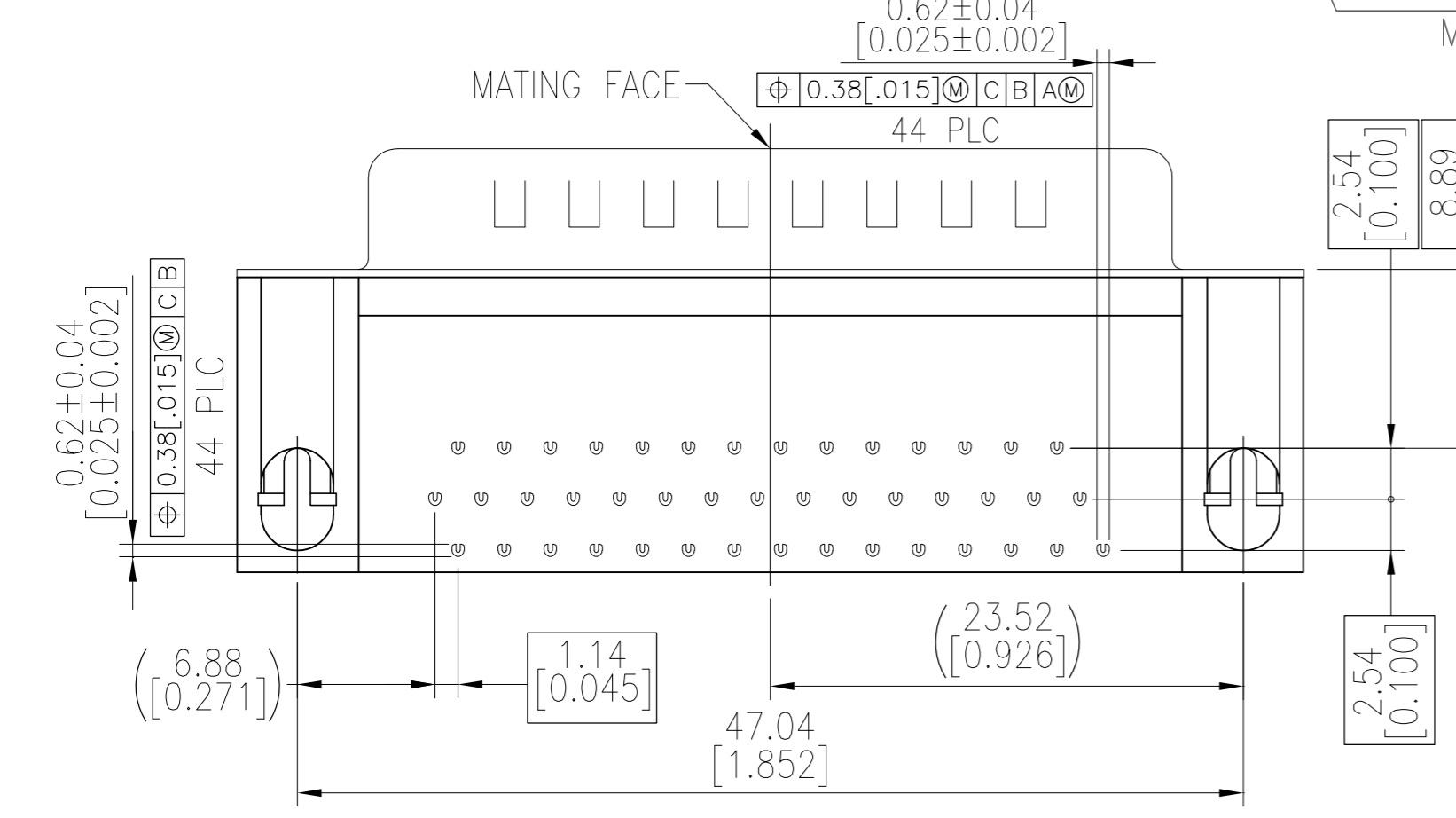


THIS DRAWING IS UNPUBLISHED. RELEASED FOR PUBLICATION
 © COPYRIGHT - By - ALL RIGHTS RESERVED.

REVISIONS					
P	LTR	DESCRIPTION	DATE	DWN	APVD
C		REVISED PER ECO-17-013750	16FEB2018	AP	DG



RECOMMENDED PCB LAYOUT



- HOUSING MATERIAL: PBT, GLASS FILLED, BLACK, UL 94V-0 RATED.
- CONTACT MATERIAL: BRASS.
- CONTACT FINISH: GOLD PLATE IN MATING AREA (SEE TABLE), 120μ" MIN TIN PLATE ON SOLDER TAIL, BOTH OVER 50μ" MIN NICKEL UNDERPLATE.
- SHELL: STEEL, NICKEL PLATE.
- BOARDLOCK: BRASS, 100μ" MIN TIN PLATE.
- THREADED INSERTS: BRASS, NICKEL PLATE.

△ 7 FOUR DIGIT DATE CODE IN THIS FORMAT.
 Year 01 45 Manufacturing Week
 △ 8 DATUMS -X- & -Y- TO BE ESTABLISHED BY CUSTOMER.

OBSOLETE	Tray	Detail B	Gold flash	5749771-3
OBSOLETE	Tray	Detail B	15μ" MIN	5749771-2
SUPERSEDED BY 2311777-1	Tray	Detail B	30μ" MIN	5749771-1

Packaging	Mounting Flange Configuration	CONTACT MATING AREA FINISH	PART NUMBER

THIS DRAWING IS A CONTROLLED DOCUMENT.		DWN B. MCMASTER 22SEP05		
DIMENSIONS: mm		CHK S. BOLASH 22SEP05		
TOLERANCES UNLESS OTHERWISE SPECIFIED:		APVD M. WALMSLEY 22SEP05	NAME AMPLIMITE HD-22	
0 PLC ± -		PRODUCT SPEC	44 POS PLUG, RIGHT ANGLE	
1 PLC ± 0.30		APPLICATION SPEC	SIZE A2	CAGE CODE 00779
2 PLC ± 0.20			DRAWING NO C=5749771	RESTRICTED TO -
3 PLC ± 0.10			WEIGHT 0.000000	SCALE 3:1
4 PLC ± -			CUSTOMER DRAWING	SHEET 1 of 1
ANGLES ± 2°				REV C
MATERIAL -				
FINISH -				