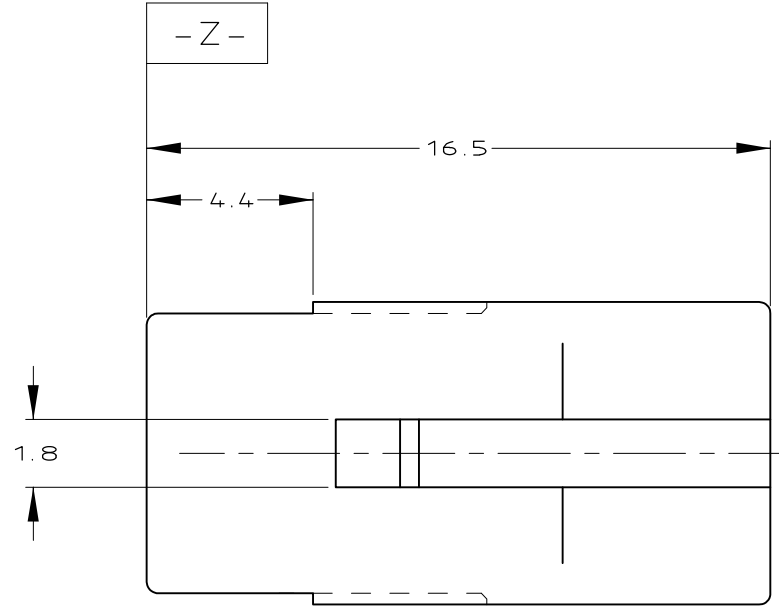
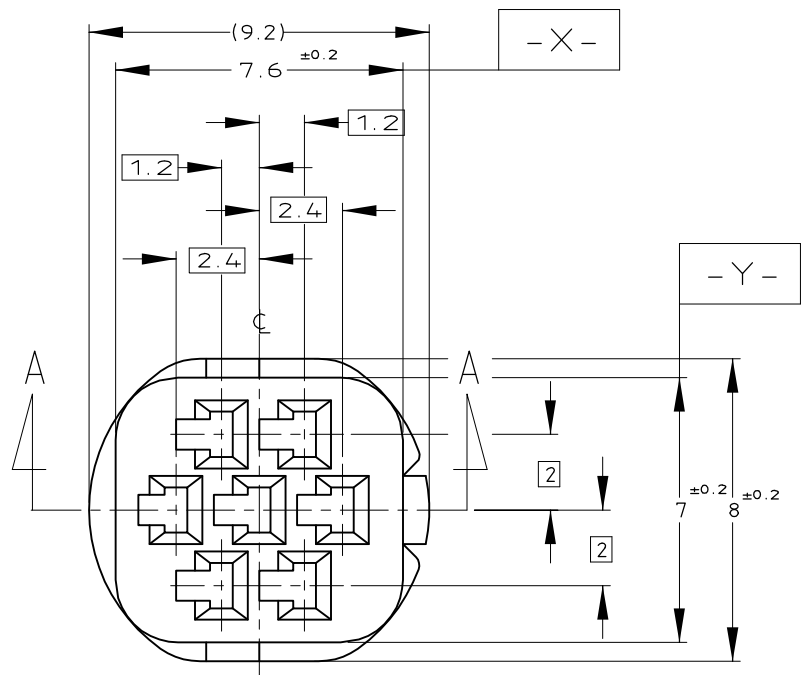


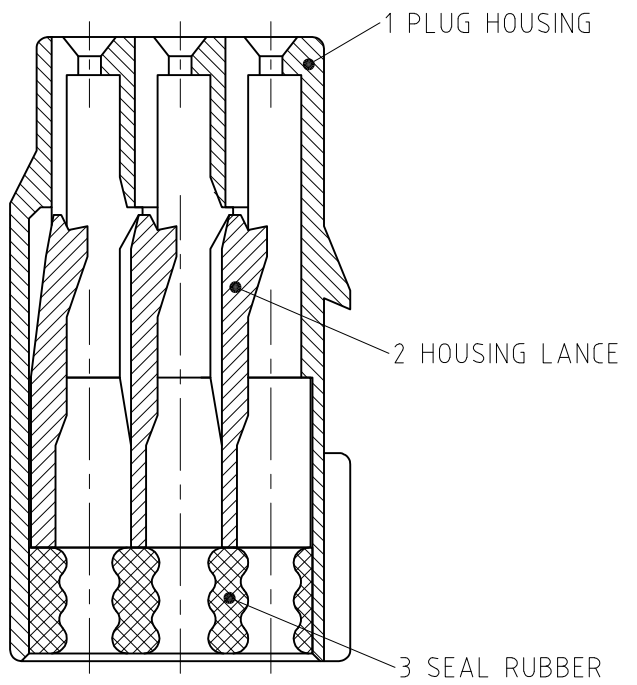
THIS DRAWING IS UNPUBLISHED. RELEASED FOR PUBLICATION FEB,2019 -
 © COPYRIGHT 2019 By Tyco Electronics Japan G.K. ALL RIGHTS RESERVED.

REVISIONS 変更					
P	LTR	DESCRIPTION	DATE	DWN	APVD
	A3	REVISED ECR-19-006693	15AUG2019	DM	HK



1. 嵌合相手ハウジング型番 ; 2822344
2. 内装するリセコンタクト型番 ; 917308
3. 適用製品規格番号 ; 108-5426
4. 取扱説明書 ; 412-5653
5. シールラバーはフタル酸フリー品である。
6. 内装するキャビティプラグ型番 ; 316390-7

1. THE MATING CAP HSG P/N 2822344
2. APPLIED CONTACT P/N 917308
3. APPLICABLE PRODUCT SPEC No.108-5426
4. INSTRUCTION SHEET:412-5653
5. SEAL RUBBER IS NON-BIS TYPE
6. APPLIED CAVITY PLUG:316390-7



SECT. A-A

1	1	1	1	1	SEAL RUBBER (BLACK)	3
1	1	1	1	1	7POSITION HOUSING LANCE (GREEN)	2
1					7POSTION PLUG HOUSING (YELLOW)	1
	1				7POSTION PLUG HOUSING (GRAY)	1
		1			7POSTION PLUG HOUSING (BLACK)	1
			1		7POSITION PLUG HOUSING (NATURAL)	1
				1	7POSTION PLUG HOUSING (GREEN)	1
2822343-5	2822343-4	2822343-3	2822343-2	2822343-1	NAME & COLOR	ITEM NO.

TOLERANCE UNLESS OTHERWISE SPECIFIED:
一般公差

0 < x ≤ 10	: ±0.2
10 < x ≤ 30	: ±0.25
30 < x ≤ 100	: ±0.3
ANGLE ; 角度	: ±0.3°

THIS DRAWING IS A CONTROLLED DOCUMENT.

DIMENSIONS: 単位: 耗 mm	TOLERANCES UNLESS OTHERWISE SPECIFIED: 一般公差
	0 PLC ± - 1 PLC ± - 2 PLC ± - 3 PLC ± - 4 PLC ± - ANGLES ± -
MATERIAL 材料 PBT G	FINISH 仕上 SEE TABLE

DWN D.MATSUURA 09JUN2014	TE Connectivity			
CHK T.KOHNO 09JUN2014				
APVD T.KOHNO 09JUN2014	NAME 名称 MINI MULTI LOCK CONNECTOR 7POS PLUG HSG ASSY			
PRODUCT SPEC 製品規格 SEE TABLE	SIZE A3	CAGE CODE 00779	DRAWING NO 番号 C-2822343	RESTRICTED TO -
APPLICATION SPEC 取付適用規格	WEIGHT 0.85g		SCALE 尺度 5:1	SHEET 1 OF 1
CUSTOMER DRAWING		REV A3		