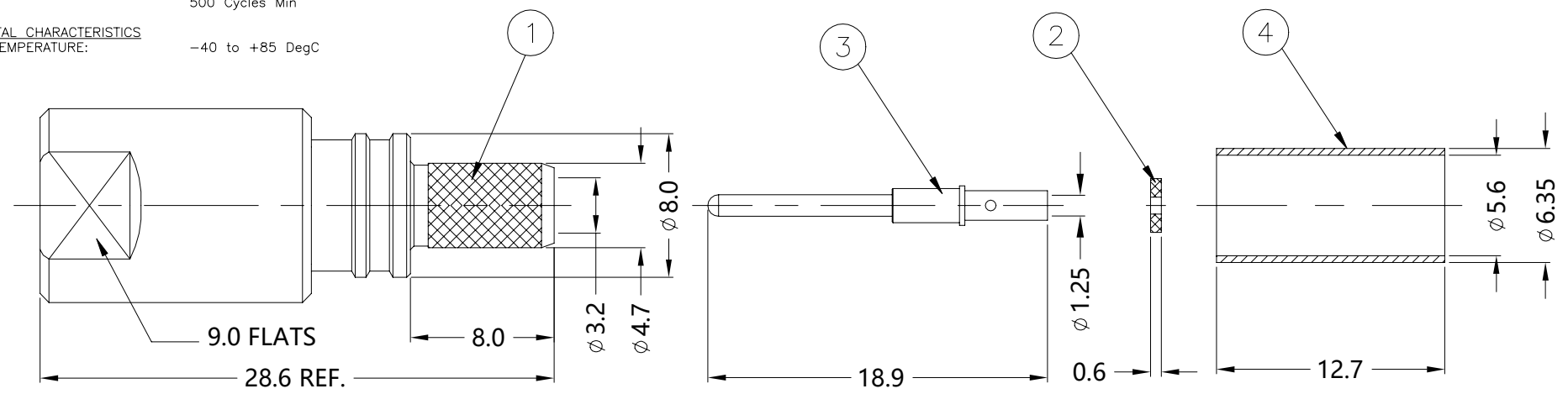


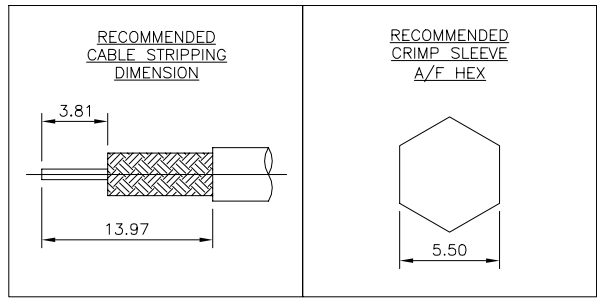
NOTES

- ① SINGLE PACK IN ACCORDANCE WITH AMP SPEC 107-3275
- ② 50 TRAY PACK IN ACCORDANCE WITH AMP SPEC 107-3275
- ③ Au PLATING
- ④ Ni PLATING
- 5 HAND TOOL: 9-1478240-0; DIE SET: 1213806-1
- 6 ELECTRICAL CHARACTERISTICS  
 FREQUENCY RANGE: DC - 2 GHz  
 NOMINAL IMPEDANCE: 50 Ohm  
 INSULATION RESISTANCE: 5000 MOhm  
 WORKING VOLTAGE: 335 Volts RMS at Sea Level  
 DIELECTRIC WITHSTAND VOLTAGE: 1000 Volts RMS Max  
 CONTACT RESISTANCE:  
 CENTRE CONTACT: 10.00 mOhm Max  
 OUTER CONTACT: 5.00 mOhm Max  
 VSWR @ 1.8GHz: 1.50:1 Max  
 INSERTION LOSS dB @ x 1.8 GHz: 0.20 Max
- 7 MECHANICAL CHARACTERISTICS  
 CABLE RETENTION FORCE: 170N Min  
 RG58C/U, DURABILITY: 500 Cycles Min
- 8 ENVIRONMENTAL CHARACTERISTICS  
 OPERATING TEMPERATURE: -40 to +85 DegC

P	LTR	DESCRIPTION	DATE	DWN	APVD
	A	FIRST RELEASED PER ECN-21-102416	15APR2021	RZ	WK



QTY	QTY PER ASSY	PARTS LIST	ITEM
1	1	BRASS	④ CRIMP SLEEVE
1	1	BRASS	③ CONTACT
1	1	PTFE	INSULATOR
1	1	BRASS	② BODY
-1	-1	MATERIAL	DESCRIPTION



THIS DRAWING IS A CONTROLLED DOCUMENT.

DIMENSIONS:	TOLERANCES UNLESS OTHERWISE SPECIFIED:	DWN	21FEB2021	TE Connectivity FME STRAIGHT PLUG CRIMP 50 OHMS			
mm		CHK	21FEB2021				
	0 PLC ± -	APVD	21FEB2021				
	1 PLC ± -	PRODUCT SPEC					
	2 PLC ± -	APPLICATION SPEC					
	3 PLC ± -			SIZE	CAGE CODE	DRAWING NO	RESTRICTED TO
	4 PLC ± -			A3	00779	©=2387154	-
	ANGLES ± ±			CUSTOMER DRAWING		SCALE	SHEET
MATERIAL	FINISH					NTS	1 of 1
-	-						REV
							A